


SIEMENS

Built-in and
Freestanding
Appliances

Siemens Home Appliances

2024
Collection



Introducing coordinated and intelligently designed appliances by Siemens

Offering the perfect balance between modern design and innovative technology our range offers different value classes including iQ700; appliances with eye-catching design, cutting-edge technology and larger displays. Our iQ500 range brings the latest innovations and sleek designs offering first-class appliances for any home. iQ300 and iQ100 offer more affordable options with equally tasteful design and style.

Discover the entire built-in range – for even more flexibility as well as time – and resource-saving solutions which help support increasingly busy lifestyles. Siemens appliances include ovens that recommend the best programme to use for a dish with the Oven Assistant, dishwashers that feature the world's only Zeolith® drying system; a technological innovation that sets new standards for performance and energy efficiency. In addition our range features fridges with hyperFresh food preservation system to help keep food fresh for longer and outstanding freezers that never have to be defrosted. Not to mention A-rated freestanding washing machines that run more sustainably without compromising on performance. All working together to create an intelligently connected kitchen and utility space in the home.

A perfect union of intelligent technology and outstanding design

Get the best of both worlds, with appliances that are as clever as they are beautiful.

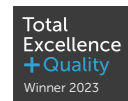


Stunning design and high quality materials come as standard with all Siemens appliances.

They have been engineered and designed in Germany to deliver quality, durability and reliability.



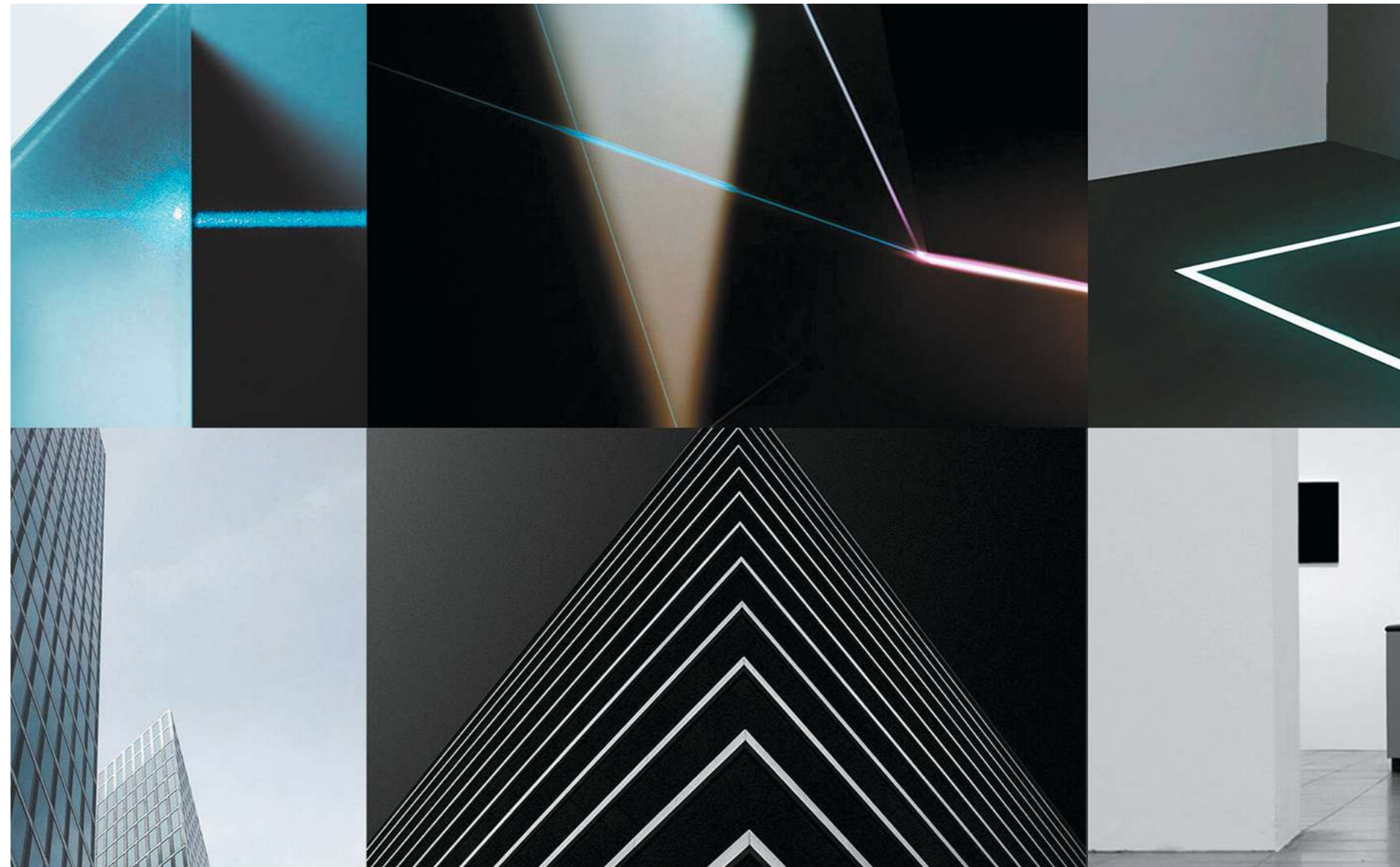
With more than 340 engineers across the UK, all employed and trained by us, our engineers have unrivalled knowledge in repairing our appliances. Each team member goes through over 400 hours of training before attending customer call outs, for added peace of mind.



In 2023, Siemens was awarded the D&G Total Excellence and Quality award. This award is based on surveys sent to customers of most of the major home appliance manufacturers and confirms our commitment to offering Siemens customers the very best service.



The World Health Organisation research shows that environmental noise pollution affects mental and physical health and is now second only to air pollution as the world's largest killer pollutant. An independent scheme, Quiet Mark acoustically tests products to enable consumers to easily identify quieter products for the home, which will benefit health and wellbeing. Find out more on pages 8-9.



Design is in our DNA.

Siemens Home Appliances' dedication to design excellence has been richly rewarded in the past year with numerous iF Design Awards, German Design Awards, Red Dot Design awards and Which? Award. Delivering a range of appliances equipped with smart technology, unparalleled user experience, and lasting, clear design aesthetics.



The iF Design Award.

The iF Design Award has been recognising cutting-edge product design around the globe for over 70 years receiving over 6,000 submissions from 70 countries annually.



The Red Dot Design Award.

The Red Dot Design Award, born in Essen (Germany) in 1955, has grown to be one of the most acclaimed product design awards in the world today.



The German Design Award.

The German Design Award is considered to be one of the world's most distinguished design competitions.



Which? Best Buy endorsement.

The Best Buy endorsement is given only to products and services proven to serve the consumer best in their independent lab tests and expert assessments. These top-rated products have all satisfied or exceeded their expert criteria, based on the results of rigorous comparative tests and analysis carried out by Which?. The Best Buy recommendation is 100% independent - no company can nominate its own products for a Best Buy endorsement. Their tests are based on criteria and benchmarks set by impartial experts.

Added peace of mind.



Siemens offers a 2 year warranty as standard across our built-in and freestanding range for added peace of mind. To register warranty please refer to the information on page 362. From time to time, Siemens may present additional warranties such as 5 year warranty on either products or defined components of a product which are time limited offers, to check if a product qualifies, please contact us, or go online at siemens-home.bsh-group.com/uk/customer-service/siemens-warranties



Siemens offers a 5 year warranty as standard on all our studioLine products across the range, for exceptional peace of mind. This warranty covers manufacturing and material faults. To register your studioLine products for warranty, please refer to the information on page 362.



In addition to the standard manufacturer warranty, our appliances also offer longer warranties on certain parts. This includes a 10 Year Anti-Rust warranty on all dishwashers, a 10 Year Compressor Drive warranty on selected cooling appliances, a 10 Year iQdrive® warranty on selected washing machines and lifetime AquaStop warranty on selected laundry and dishwasher appliances.



For further details, please refer to pages 363 or visit our Siemens Home UK or Ireland website.

Welcome home



studioLine

studioLine range

The exclusive range of studioLine products are listed within this brochure. See page 11 for the full product range and where to find them in this brochure.

The virtualBrochure

We have developed an innovative virtualBrochure app which brings the Siemens product range to life, giving full control of the products, allowing for rotation, zoom and interaction with the appliances.

The Augmented Reality feature within the app also allows to visualise our appliances within a room. Perfect for when planning a kitchen.

The app is available from the Apple Store and Google Play.



Download the virtualBrochure



Like and follow us on social media for the latest updates about our products, features and innovations.

Search **SiemensHomeUK** or **SiemensHomeIE**



#siemensintelligentkitchen

Or visit our website at siemens-home.bsh-group.com/uk or siemens-home.bsh-group.com/ie to find out more about our products and current offers.

Cooking	12-87
Pyrolytic single ovens	46-47
Single ovens	48-51
Double ovens	52-53
Compact ovens	54-56
Microwaves	58-61
Warming drawers	62-63
Accessories	65
Coffee centres	68-73
Technical diagrams	80-87
Hobs	88-152
inductionAir Plus hobs	114-115
flexInduction hobs	126-128
Induction hobs	129-131
quickLite ceramic hobs	134-135
Gas hobs	138-141
Domino hobs	142-143
Technical diagrams	146-152
Hoods	154-197
Worktop ventilation	176-177
inductionAir Plus hobs	178-179
Decorative hoods	180-181
Box chimney hoods	182-183
Integrated design hoods	184-185
Telescopic hood	186
Integrated hood	187
Canopy hoods	188-189
Technical diagrams	192-197
Cooling	212-293
Built-in	
Wine cabinets	234-235
Fridge freezers – NoFrost	236-239
Fridge freezers – LowFrost	240-241
Single door fridges and freezers	242-247
Technical diagrams	250-256
Freestanding	
Wine cabinet	277
Multi-door / American Style fridge freezer	278-281
Traditional American Style fridge freezer	282-283
Fridge freezers	285-287
Upright single door fridges	288-289
Upright single door freezers	290-291
Technical diagrams	292-293
Dishwashers	294-327
Built-in	
60cm fully integrated dishwashers	310-312
45cm slimline dishwasher	313
Technical diagrams	315
Freestanding	
60cm dishwashers	326-327
Laundry appliances	328-359
Built-in	
Washing machine	334
Washer dryers	335
Technical diagrams	336-337
Freestanding	
Washing machines	354-355
Washer dryers	356-357
Tumble dryers	358-359
Services	360-363
Contact us	360-361
Register your manufacturer's warranty	362-363

Intelligently connected, a growing world of possibilities

Take the next step into the future as Siemens and Home Connect redefine the everyday with future driven innovations.

It is easy to think that kitchens are fully evolved, at Siemens we apply technology intelligently to continuously adapt and even pre-empt changing demands. Our smart appliances go further, all packaged into cutting edge design. Innovative features like checking how many dishwasher tablets are left whilst shopping to help manage the household more effectively. And with the new detergent scan feature, reducing detergent wastage is made possible.

Our i-Dos washing machine can automatically determine the right amount of detergent to use based on the washing load and the water hardness in the area. When using with the detergent scan feature on the app it will further fine tune settings according to the detergent used.

Siemens smart Home Appliances with Home Connect offer even more possibilities – from the everyday to the not so everyday.

Ovens

- Recipes: The Home Connect recipe section offers a large and delicious variety of Siemens approved recipes. The recipe cooking settings can even be sent directly to the oven, straight from a mobile, tablet or smart device when selected via the app.
- Remote Control: The oven can be operated intuitively from anywhere, for instance to preheat the oven on the way home.
- Oven Assistant: By selecting from a broad range of dish options, the oven will be automatically set to the ideal temperature and cooking mode to get perfect results on the chosen dish.

Coffee Machines

- coffeeWorld: A wide range of additional coffee specialties from around the world are available exclusively from the app. Drinks can be selected and ordered directly from the app and instructions sent straight to the coffee machine.
- coffeePlaylist: Guests can be easily entertained and impressed. A playlist can be built by asking each guest to submit their own coffee preferences via the app and the whole beverage list can then be transferred remotely to the coffee machine. The drinks will be prepared one after the other.
- Remote Control: It is easy to grab a coffee between meetings when working from home by operating the coffee machine remotely via the app, voice control or smart watch.

Hobs and Hoods

- Notifications: Helpful push notifications can be set to inform when the appliance needs maintenance attention, such as when the filters need replacing.
- Cooking assistant: The assist tab on the Home Connect App can help find and select cooking methods on the hob. Settings can even be sent directly to the hob for easier and quicker evening meals.
- Hob-Hood Control: Siemens hobs and hoods with Home Connect work together intelligently. The hood will switch on and adjust its settings automatically as needed when the hob is switched on.

Fridge Freezers

- Remote Control: The temperature and settings can be managed remotely using the Home Connect app. With helpful push notifications directly to the app, such as when the door is left open, it is easy to stay in control.
- Inventory: It is easy to keep track of what is in the fridge using the Inventory within the app. And for when food is nearing its use-by date, the No Waste recipes are perfect for using up ingredients in time.

Dishwashers

- Remote Control: The dishwasher can be operated from anywhere to fit in with all lifestyles. Check the washing status, receive push notifications such as when the programme is finished or when the rinse aid needs topping up and even start the machine remotely when out of the home.
- Programme Assistant: Simply select the type of dishes and cleaning preference on the app and Home Connect will suggest the best cycle for the load, to make dishwashing stress free and straight forward.

Washing Machines and Tumble Dryers

- intelligentDry: Load details can be automatically sent from the washing machine to the dryer to help it select the optimum drying programme. Once the drying programme has finished, it will ask for a rating to help inform the settings of future cycles.
- easyStart: For help with choosing the right programme, individualised to the load. By answering a few simple questions about the load, it will recommend and set up the right program. Then all that is needed is to tap start.



Our world has turned into an ever-growing network of partner services, to help turn any house into a fully connected home.

Reduce the effort of household tasks with Amazon Alexa and Google Assistant.

With the Home Connect skills, voice control can be used for easy interaction with connected appliances at home. From simple dialogues to personalised interactions, managing the household is made even easier. With just a few simple commands, it is possible to start the laundry programme, preheat the oven, check the dishwasher progress or ask for a coffee to be made. A world of exciting possibilities await when using voice assistant with Home Connect appliances.

Make life easier with Smart Reorder via the Alexa app.

Avoid running out of dishwasher tablets as Smart Reorder via the Amazon Alexa app brings automatic replenishment. The easy to set up feature will keep count of the remaining tabs and send a reminder when they need to be reordered.

Manage appliances while on a run with Fitbit.

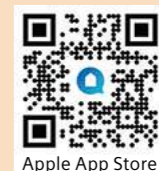
Fitbit and Home Connect can help make sure a warm meal or cup of coffee is waiting at home after every training session. Thanks to the remote control capabilities of the app, the oven, coffee machine, washing machine, washer dryer, tumble dryer and dishwasher can be controlled directly from a Fitbit smartwatch. The status of appliances can also be monitored in real time, making it easier to remain in control.



Try demo

For a better understanding of the features available on the Home Connect app. You can still download the app and use the demo function without registering appliances.

To experience the demo mode use the QR codes to download the free Home Connect app, tap 'add appliances' on the home screen and choose from a range of demo appliances to experiment with.



Apple App Store



Google Play Store

Protecting peace of mind

With Quiet Mark accredited products that will not disturb the peace and quiet of the home.

Technology has made homes more efficient and convenient than ever before, but it has also made them noisier. Our daily lives are accompanied by the sounds of TVs, traffic, ringing phones, and working appliances. Quiet Mark was conceived as a global hub where consumers, trade buyers and architects can go to find verified third-party-checked quiet machines, equipment and technology. They have acoustic teams and a UK headquarters with labs where they test some products, and work with specialist labs worldwide to test others. Their testing covers a wide range of products, including not just home appliances but also forklift trucks, computer mice, and noise-cancelling headphones. Their goal is to make it standard for every dishwasher, for example, to operate under a certain decibel level and offer sound quality that is carefully considered during the research and design stage.



What effect does noise have on a person's wellbeing?

The impact of noise is more significant than people may initially think. Sound triggers the release of cortisol and adrenaline in the body, enabling quick action to protect ourselves against potential danger. This was necessary for survival in hunter-gatherer days. Fast forward to today, where people are surrounded by layers upon layers of noise which cause our bodies to release cortisol, creating adrenaline and putting additional pressure on the heart. Over time, this stress can cause headaches, difficulty concentrating or sleeping, and changes to the mood. Despite these potentially extreme reactions, the impact of sound is often ignored and misunderstood because it is invisible. This makes it even more of a threat to people's well-being.

How do noisy appliances affect the home

It is not just one noise but often multiple appliances running at once. This is likely to create a variety of beeps, bleeps, and sudden noises, and these can all add up. This can be particularly problematic if the office is also the kitchen table, or if someone in the household has hearing sensitivities or autism. By reducing the overall number of decibels in the home, people can also reduce anxiety levels and create a more peaceful space for everyone.

Which appliances are the biggest culprits when it comes to noise?

In late 2021 and early 2022, Quiet Mark conducted surveys to determine how people in the UK and the US feel about noise in the post-pandemic world. Their findings indicate that over four fifths of Brits, regardless of age group or region, would prefer to have quieter home appliances. The surveys also revealed that larger appliances, such as washing machines and dishwashers, were the biggest culprits of noise. Vacuum cleaners and juicers were also noted as sources of noise.

Is noise a consideration when people are buying appliances?

Their research also shows that over two thirds of UK consumers are more likely to purchase an appliance labelled as "quiet" compared to a similar product with no reference to noise levels. Furthermore, people are generally willing to pay more for quieter appliances. This trend is reflected in customer reviews, where many products receive high ratings specifically because they are quiet.



How does Quiet Mark accreditation work?

To compile their list of approved appliances, the team at Quiet Mark searches through all the new ranges of large appliances worldwide and creates databases of their energy labels. By law, every brand must undertake sound testing to certain ISO standards and declare this level. For washing machines, for example, this pertains to the levels for the spin and wash cycles. Although it is not possible for them to test every appliance, they do conduct spot checks. They then determine the very quietest 10 to 20% in each appliance category. A brand cannot buy a Quiet Mark; it is only awarded if its appliances meet these criteria. Siemens began its partnership with Quiet Mark in January 2023, and currently offers over 60 large appliances with Quiet Mark status. Look out for the Quiet Mark logo by the appliances to find them.

Experience the elite studioLine

For those who want to set themselves apart from every standard.

The studioLine kitchen

The Siemens studioLine appliances all line up perfectly to create a guaranteed design statement, adding elegance and exclusivity to a kitchen. With superior design and cutting-edge functionality, the classic and iconic studioLine appliances with their black glass and blackSteel fascia will complement any high-end kitchen design. The studioLine models all elegantly feature the studioLine signature underneath the Siemens logo.

studioLine offers a complete kitchen solution with innovative technology such as the Individual Browning camera in the oven, sous-vide cooking, and the freeInduction hob for zoneless cooking.



5 year warranty

All of the studioLine products come with a 5 year warranty for added peace of mind. This warranty covers manufacturing and material faults. To register the warranty, please refer to the information on page 362.

studioLine

Cooking

Introduction to studioLine cooking appliances	14-17
Pyrolytic single ovens	36-37
Single ovens	38-39
Compact ovens	40-41
Microwaves	42
Warming drawers	43
Coffee centre	66-67
Technical diagrams	74-79

Hobs

Introduction to studioLine hob appliances	90-91
inductionAir Plus hobs	112-113
freeInduction hob	118-119
flexInduction hobs	120-121
Technical diagrams	144-145

Hoods

Introduction to studioLine hood appliances	156-157
Worktop ventilation	170-171
inductionAir Plus hobs	172-173
Technical diagrams	190-191

Cooling

aCool	
Introduction to aCool studioLine cooling appliances	198-203
aCool appliances	204-205
aCool wine cabinets	206-207
Technical diagrams	208-211

Built-in

Fridge freezer	232
Single door fridges and freezers	233
Technical diagrams	248-249

Dishwashers

Built-in	
Introduction to studioLine dishwasher appliances	296-297
60cm fully integrated dishwashers	308-309
Technical diagrams	314

Exclusive to studioLine partners

For more information, come and see us at Siemens London, 12-14 Wigmore Street, London, W1U 2RE. To book your appointment to visit us, just scan the QR code below or go to siemens-home.bsh-group.com/uk/inspiration/experience/london-showroom

Alternatively, to find a studioLine retailer near you, please visit our website: siemens-home.bsh-group.com/uk/dealer-locator



Book your visit

The perfect line up. Coordinated and intuitive cooking experiences

From ovens, to warming drawers, to coffee centres. Siemens clean lines and matching intelligent appliances allow for perfect design coordination.

Ovens

Siemens built-in ovens impress with their sleek finish and premium materials. They can be fitted alone or coordinated with other Siemens appliances for a design statement. Their ability to be installed independently allows full flexibility to fit appliances under work surfaces, in tall units or in a bank with other appliances. These multiple combinations give full freedom with the kitchen design, not to mention state-of-the-art technology and intelligent features which save time when cooking.

Compacts

With the variety of appliances in our compact built-in range, Siemens provides a combination of options to suit preferences, while delivering complete visual perfection. Siemens 45cm and 38cm high compact appliances allow for a full array of cooking configurations. Depending on the range and model, compact ovens are available with steam or integrated microwave, offering space-saving design without compromising on style or utility.



studioLine

Siemens cooking warranties:



studioLine 5 year warranty

A five year warranty is available on all Siemens studioLine ovens and compact appliances listed in this brochure to protect against manufacturing and material faults during this warranty period.



2 year warranty

A two year warranty is available on all Siemens ovens and compact appliances listed in this brochure to protect against manufacturing and material faults during this warranty period.

To find out more about warranty and for registration, please visit:
siemens-home.bsh-group.com/uk/customer-service/siemens-warranties



Multiple talents. All aligned in one unique design

Connect to the future of cooking.

The studioLine oven range redefines the cooking experience, making it more intuitive, more enjoyable, and more rewarding. It includes all the great intelligent features and technology of the core Siemens range with additional state-of-the-art functions, all packaged in the exclusive studioLine design.

Elegance and performance united in the kitchen.

Both functional and beautiful the door of the studioLine iQ700 oven consists of high-quality black glass. The handle in the same material, seems invisible to the eye when looking at it from the front, while offering a solid grasp, when needed.



The dream team.

The Siemens studioLine range offers a wide selection of appliances that can be seamlessly combined to create a personalised configuration that will fit individual customer needs. From compact and full-size ovens, all the way to the built-in coffee machine, each appliance can be combined to create the ideal set up. While the warming and vacuum drawers fits perfectly under an oven or coffee machine to complete the perfect built-in combination. Whether alone or combined, side by side or on top of each other each appliance never fails to impress.

Models shown left:
HN978GQB1B single oven, **CT918L1D0** coffee machine,
BI710D1B1B warming drawer, **CM978GNB1B** compact oven,
BI710D1B1B warming drawer.



The Siemens studioLine kitchen is all about connecting

Connecting to the endless possibilities of the smart home to free time for the things that matter.

The Siemens studioLine range offers many time saving shortcuts and innovative cooking solutions.

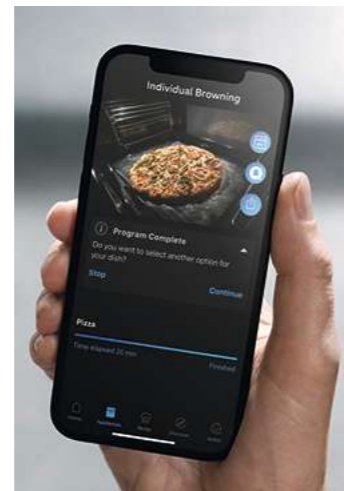
The full package.

The top of the range full size combination oven HN978GQB1B, offers greater cooking options with both microwave and pulseSteam functions while pyrolytic cleaning makes cleaning the oven effortless.



Well prepared. Well connected. Well done.

The integrated camera on selected iQ700 ovens* and the Home Connect app mean food can be checked from anywhere giving the freedom to control the oven settings without needing to be nearby. It can even create mouthwatering time lapse videos as the food cooks – perfect for sharing with friends.



In addition, the Browning Camera feature is designed to guarantee the perfect level of crispness. With camera-enabled artificial intelligence, the iQ700 studioLine oven with integrated camera, allows personalised cooking results by choosing from five different browning levels. The interior camera continuously monitors the dish, providing real-time feedback on its progress. Once the preferred browning level is reached, the oven intelligently turns off automatically, ensuring that the dish is cooked to perfection without any risk of overcooking.

* Only available on oven models HN978GQB1B and HS958GED1B.



Cook like a professional.

Siemens studioLine ovens featuring the full steam function also have a sous-vide programme which allows food to be cooked whilst sealed under vacuum at constantly low temperatures (50 - 95°C) with steam. This unique cooking method retains nutrients while enhancing flavours, giving better texture and tenderness. The results: a dish cooked to perfection every single time. Use in combination with the vacuum drawer.

The vacuum drawer.

The studioLine vacuum drawer is the perfect appliance for anyone who wants to elevate their cooking experience at home. It is a little known versatile kitchen accessory in its own right and can be used for so much more than cooking sous-vide. It can be used to quickly add flavour or marinade foods, extend storage life of food and even reseal opened jars and bottles.



varioClip rails Plus.

The quick and easy mounting system enables the telescopic varioClip Plus rails to be positioned at the perfect height for the dish even at grill level. In addition, the full extension rail system allows for the safe and easy loading and unloading of food in and out of the oven.

Discover intelligent ovens that adapt to individual needs



Models shown: HM778GMB1B single oven, CT718L1B0 coffee machine, CM778GNB1B compact oven, BI710D1B1B warming drawer.

Key features within the iQ700 and iQ500 range

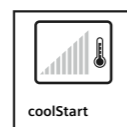


fast preheat

fast preheat

No more tedious waiting for the oven to reach the right temperature.

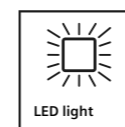
The fast preheating feature activates multiple heating elements simultaneously to get to the desired temperature very quickly.



coolStart

coolStart

Cooking certain frozen and chilled foods in the oven is now even faster – thanks to the innovative coolStart function. Without the need to wait for the oven to reach the set temperature, frozen and chilled foods can be successfully cooked without preheating, while still using the recommended cooking time.



LED light

Everything put in a good light.

Depending on the model, there are different kinds of illumination inside the oven. Whether it is the standard Halogen light, LEDs or the most advanced Multilevel LED strip, they all provide a brilliant view into the oven without having to open the door.



Electronic control

Electronic control

Depending on the function selected, the oven will suggest a suitable temperature which can be manually adjusted. The selected temperature is displayed digitally and a heating up indicator shows the progress towards the set temperature. The same indicator shows residual heat once the oven is turned off. Get quick access to performance features like cookControl Plus and cookControl Pro whilst being safe in the knowledge that if left unadjusted for a period of time, the oven will switch off automatically.



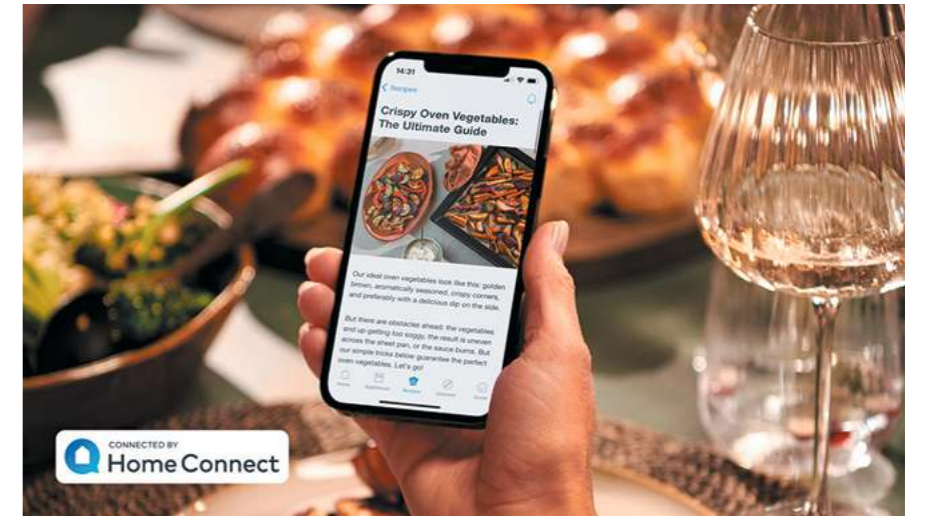
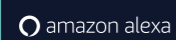
Get more with Home Connect



Download and install Home Connect App



Partners brought to you by Home Connect



Our range of smart cooking appliances with Home Connect are designed to work intelligently for the user.

From easy set-up, quick access to user manuals, scheduling pyrolytic cleaning start times to fit consumers' needs, to notifications to clean cooker hood filters; Siemens cooking appliances with Home Connect intelligently make everything easy and more accessible.

In safe hands.

Siemens cooking appliances are equipped with intelligent sensors to help get the best results when cooking. For example, the 'dishes' section on the app will suggest the best cooking settings for a chosen dish.

The vast choice of recipes in the recipe section of the Home Connect app provide inspiration for budding or experienced home cooks alike. Once selected the cooking settings of the recipe can be transferred automatically to the oven intuitively from the app.

A growing world of partners.

The constantly growing network of partner solutions opens up completely new perspectives and networking possibilities. For an everyday life that is efficient and exciting like never before.

The Siemens Wi-Fi-enabled ovens connect to a wide range of smart devices and services. With partners including voice assistants, recipes, energy management and shopping and reordering – connecting appliances to Home Connect brings a whole world of opportunities to Siemens appliances.

Intelligent thinking, intelligent design.

We enable multiple ways to control our appliances to help when hands are full or life becomes busy – voice, smartwatch, tablet, and smartphone. There are countless applications that can be precisely tailored to the user's needs. With Home Connect and the relevant partner, the whole household can now be controlled with just one click. Everyone can create their own personal scenarios; for example by automating the switching off of various devices as they leave the home. An all-in-one solution for intelligent home automation.

Said. Done.

Appliances can be controlled without lifting a finger, by simply asking Amazon Alexa or the Google Assistant to start the oven, or even how long it will take until dinner is ready? The oven can even be controlled easily by voice while relaxing on the sofa.

Joined up thinking.

Depending on the model our smart ovens with roastingSensor know when the dish is done perfectly and switches itself off to avoid wasting energy unnecessarily. Complete control is at hand with the Home Connect app.

Enduring performance.

Downloadable programmes and software updates ensure the oven is always at the cutting edge of technology.

Knowledge at the touch of a button.

No need to search for the manuals hidden in the kitchen drawer, they can be accessed anytime easily with a simple tap via the Home Connect app.



Uncompromising design and technology: iQ700

Introducing features unique to the Siemens iQ700 ovens and compact appliances range.

Thanks to activeClean®, ecoClean®, ecoClean® Plus and humidClean by Siemens, cleaning the oven becomes simple and effortless.



Ovens with activeClean®
Baked on food and grease can be removed at the push of a button without any need for chemical treatments. Hassle-free, the oven cleans itself thoroughly with activeClean®. It does so by heating up to a very high temperature – turning all residues into ash, which can easily be wiped away. This process is called pyrolysis and is an extremely convenient and efficient way to clean the whole interior of the oven saving time and effort.

For iQ700, the optional telescopic rails and full width enameled pan are specially designed to be used with activeClean® so they do not need to be removed during the cleaning process. Only the wire shelf needs to be removed.



Ovens with ecoClean® and ecoClean® Plus
A special coating applied directly to the inside of the oven (please check specification of individual models), ecoClean® and ecoClean® Plus make cleaning the oven easy. The coated area cleans itself while the oven is on and models with back, roof and side coating benefit from a special cleaning programme.



humidClean
For faster cleaning, dirt is softened beforehand by vaporising soapy water. Simply add a drop of detergent to 400ml of water, pour the solution onto the centre of a completely cooled cooking compartment and set the cleaning programme. Once done the soiling can easily be removed with a dish cloth or soft brush.



Cleaning and de-scaling
Finished with a durable enameled interior, most Siemens compact45 combination ovens with steam feature dedicated cleaning and de-scaling programmes.



Drying programme
This programme can be used after each use to dry residual moisture inside the cavity of the oven.



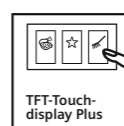
activeClean® – ovens that clean themselves

Display options available for iQ700 single ovens and compact ovens

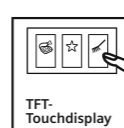
The iQ700 range oven menu comes with a high resolution TFT Touchdisplay in three different sizes. Each display type is designed to complement each other and coordinate effortlessly. The high-contrast colour screen offers smooth and intuitive navigation and gives access to all features by a simple touch. It is even easier to select the perfect settings with 'favourites' which can be accessed directly from the main menu.



TFT Touchdisplay Pro
Our largest high-contrast colour display is easy to read from any angle, allowing easy and comfortable operation of the oven.



TFT Touchdisplay Plus
A smaller display but still with the same colour, high-contrast display, the TFT Touchdisplay Plus is the intuitive and satisfying control centre of the oven.



TFT Touchdisplay
Our smallest display in the range but no less equipped to make the cooking experience effortless and help get the most from the oven.



iQ700 ovens and compacts are designed to complement one another.

An option for every need.

The Siemens oven range offers a wide selection of options to choose from which can be combined in a bank or in a row. From single ovens with an easy clean solution such as activeClean, to an oven with steam function. They can be combined with an additional compact model such as coffee machine or oven with integral microwave.

Cooking with steam.

The Siemens compact steamer and steam combination ovens provide the benefit of steam together with perfect design coordination. Steam and added steam cooking has increased in popularity in the past few years. Not only does this offer healthier cooking options as steam retains vitamins and nutrients, but also maintains the visual appearance of many foods. With fullSteam Plus, healthy can also be convenient. Using the perfectly balanced combination of steam and heat at 120°C, dishes finish cooking up to 50% faster than using the standard 100°C steam function.

The coffee solution.

For coffee connoisseurs, adding a Siemens coffee centre to the design can be a great solution. This versatile machine will provide a variety of specialist coffees at the touch of a button.

Keep it warm.

The Siemens iQ700 range also includes warming drawers. Primarily designed to pre-heat crockery and keep cooked food warm, these drawers can also slow cook, prove dough and defrost.

Available in 14cm or 29cm high options, they combine perfectly with single ovens and 45cm compact models in column or side by side in bank installations. For optimum design coordination, choose iQ700 models with matching TFT displays.



Models shown: HM778GMB1B single oven and HS758G3B1B single oven



Models shown: HM778GMB1B single oven and HS758G3B1B single oven



Models shown: HM778GMB1B single oven, CT718L1B0 built-in coffee centre, BI710C1B1B warming drawer, CM778GNB1B compact oven and BI710E1B1 accessory drawer



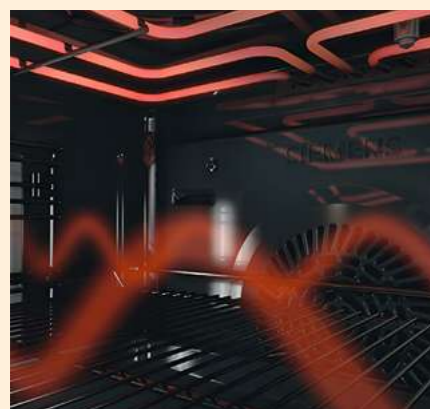
A built-in kitchen assistant.



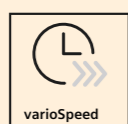
cookControl Pro

Pre-installed, automated baking and roasting programmes in the oven guarantee ideal preparation. The chosen dish can be simply selected via the clearly arranged TFT Touchdisplay and the oven's sensors then control the process. The preferred result can be selected from various suggestions depending on time or preferences. The oven automatically applies the correct settings and functions then turns off when the dish is ready. More programmes can be downloaded by connecting the oven with a registered Home Connect account.

In addition to pre-installed programmes, cookControl Pro gives access to additional special sensors or heating modes depending on the appliance.



The same great results in up to half the time.



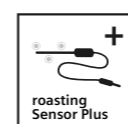
varioSpeed

When time is of the essence use the varioSpeed function to cut down cooking time by up to 50%.

Intuitive to use and a real "allrounder" – add the microwave function to the chosen heating mode to enjoy delicious and refined dishes faster.

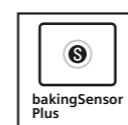
varioSpeed delivers outstanding results such as soft textures and crispy crusts all in record time.

Achieve the best results.



Easier than ever before: roastingSensor Plus

Thanks to three measuring points, the innovative roasting thermometer is able to precisely and reliably measure the core temperature of a wide range of foods. Ideal for meat, poultry and fish, it can even be combined with the integrated microwave and the pulseSteam function. The roastingSensor Plus removes the need to keep checking on food.



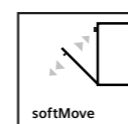
bakingSensor Plus

Thanks to bakingSensor Plus the oven can detect when the baking process is complete. Select the required dish and the innovative sensor technology fitted inside selected iQ700 ovens can automatically control the baking process for consistently delicious results. The bakingSensor constantly measures the humidity levels in the oven interior and is therefore able to determine when the dish is fully cooked and ready.



roastingSensor Plus

Smooth operator.



softMove

For effortless operation of the oven door, the dampers ensure gentle and quiet opening every time. Available on all iQ700 built-in ovens.



softMove



Model shown: HS658GES7B single oven

Cooking flexibility.



4D hotAir

4D hotAir

The innovative technology of the fan motor enables optimum heat distribution around the interior of the oven, as the oven is programmed to change the rotating direction of the fan every few minutes. Due to even distribution of heat within the cavity, cooking on up to 4 shelf levels is possible (for compact appliances up to 3 shelves). Food therefore always turns out perfectly, no matter which shelf it is placed on.



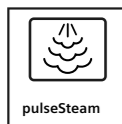
Steam cooking. The healthy way to cook.



fullSteam Plus

fullSteam Plus

The steam function of the new iQ700 oven is not only a healthier way of cooking, it is also faster. The perfectly balanced combination of steam and heat at 120°C finishes dishes up to 50% faster than using the standard 100°C steam function. Ideal to preserve vegetables' fresh colours and retain vitamins and minerals. Even firm vegetables like potatoes and carrots become perfectly tender, making fullSteam Plus one of the most convenient ways to prepare a delicious and healthy meal.



pulseSteam

pulseSteam

Siemens ovens and compact appliances with pulseSteam are real all-rounders for more flexibility when cooking. Steam can easily be added while baking and roasting with hot air. Multi function options offer the perfect cooking method for any food, preserving everything that is important: flavour, smell, texture and nutrients. Siemens combi-steam ovens do not just work with hot air but also with top and bottom heating and grilling, so bread, cakes and roasts come out just right: crisp on the outside and moist on the inside.

How does it work?

Siemens steam and steam combination ovens are quick and easy to install as they do not require plumbing-in. Our fullSteam ovens have the temperature range indicated; whereas our pulseSteam models have three intensity levels which can be adjusted, depending on what is being cooked.

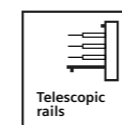
The removable 1 litre water tank (1.3 litre for compact steamer) is accessed behind the semi-automatic control panel making it more convenient and easier to refill, even during cooking. Water is heated by a fast and efficient steam generator before being introduced into the oven. Thermostatic controls allow a pure steam temperature of 30 – 100°C.



Model shown: HS758G3B1B single oven

Rail Systems: The perfect accessories, designed especially for the iQ700 oven.

We supply accessories that help make cooking easier and more enjoyable. Great for tailoring the oven to individual needs offering ease of use and flexible cooking options to help create the perfect dish.



Telescopic rails

iQ700 telescopic rails

Fully extendable telescopic rails are available as an optional extra on selected iQ700 ovens. Designed to glide smoothly and effortlessly out of the oven, these rails offer clear and comfortable access to food during cooking and to remove the food once cooked without having to reach into the hot oven. Versions suited to pyrolytic models which can remain in the appliance during the cleaning cycle are also available, for effortless cleaning of the oven and the rails at the same time.

¹Telescopic rails are not available as optional accessories on ovens with integral microwave





Innovative speed solutions

for outstanding cooking creations: iQ500

Featuring more traditional, yet stylish, illuminated and easy to use control dials, the coordinated lightControl design allows the single ovens, built-in/under double ovens, compact microwave combination ovens, built-in microwave ovens, and warming drawers to be installed together, both vertically and horizontally*.

Siemens offers a choice of two coordinating iQ500 45cm compact microwave combination ovens, each featuring the same striking blue and white lightControl display as the iQ500 single ovens.

The standard microwave combination oven CM585AG50B features a large 36cm ceramic base to allow for use of rectangular dishes compared to a turntable.

Alternatively, the innovative CP565AG50B features not only microwave and oven functionality, but also full steam and steam combination options – the ultimate solution for combination cooking and perfect for maximising options if space is a premium.

Compact combination ovens are complemented by a 14cm high warming drawer to ensure complete iQ500 design coordination.

The iQ500 range also offers two design coordinated solo microwaves – a 25L version for installation in tall housing and a smaller 20L model design to fit into 30cm deep wall cupboards.

*Horizontal combinations for single ovens and 45cm compact appliances only.

Operation meets fascination.



lightControl

The lightControl dial highlights the chosen heating symbol with a striking blue light – making operating the oven into an intuitive and exciting experience. The design is consistent throughout the iQ500 range with the intuitive illuminated lightControl dials, whether selecting a cooking function on a single oven, or introducing steam to the 3 in 1 microwave combination compact appliance.



The secret to perfection.



addedSteam

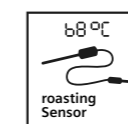
This feature benefits foods by adding moisture and enhancing colour and crispness. This is done by enhancing a natural process called the Maillard effect. This is a reaction which occurs when natural sugars are caramelised in the presence of heat that gives conventionally cooked food its colour and crispness. Adding shots of steam intensifies this reaction. For example bread crusts become dark, shiny and crisper compared to being cooked using conventional heat only.

Guarantee the best cooking results.



cookControl

Providing automatic programmes for mainly meat, poultry and fish. Available with either 10 programmes or 30 programmes, simply select the desired dish and enter the food's weight – everything else is done automatically.



Single point roastingSensor

The roasting thermometer is able to precisely and reliably measure the internal temperature of dishes. By getting an accurate reading of the core temperature of boneless and fat less dishes, it can determine when they are perfectly done.



3D hotAir

With the 3D hotAir, the oven distributes the heat consistently inside the oven cavity to guarantee perfect baking results while preventing flavours and smells intermingling even when cooking on three levels simultaneously.



Model shown:
MB578G5S6B built-in double oven

Introducing Siemens iQ500 double ovens.

softClosing Door.

Adding to the ambience of any kitchen, the softClosing Door, on selected iQ500 models, closes by gently cushioning the last few centimetres for minimal noise and maximum comfort. In addition, a softClosing Door ensures that items within the appliance are not disturbed from a heavy impact, avoiding unnecessary spills to clean.

iQ500 varioClip rails.

Selected Siemens iQ500 single and double ovens¹ feature a pair of innovative varioClip telescopic rails. Intelligently designed with an easy release system, these rails can be unclipped and repositioned on any of the five shelf positions in the oven², tailoring the position depending on the dish requirements. Whether grilling bacon for breakfast on one of the higher positions, or opting for a lower rail position to cook the Sunday roast, these fully extendable rails perfectly combine flexibility and convenience. Additional pairs of varioClip rails are available as optional extras to personalise the rail systems of each oven.



varioClip rails – designed to be released and repositioned quickly and easily

¹ Please see product descriptions for models that have the rails as standard
² varioClip rails suited only to the main oven on double ovens

Siemens iQ500 double ovens provide a great solution to gain extra flexibility and more cooking space.

Both ovens can be used when entertaining guests for example baking dessert in the main oven whilst heating savoury dishes within the top oven. Sitting seamlessly within the furniture, kitchen space is maximised without sacrificing the extra cavity space.

Our double oven with activeClean® benefits.

A double oven with top of the range features. Built-in model MB578G5S6B with Home Connect features activeClean® in both the main and top cavity. activeClean® heats up the temperature of the oven to burn residue and allow for easy wipe away cleaning, saving significant time when cleaning the oven. This model also includes the coolStart function, perfect for people always on the go and when needing to heat up frozen and chilled meals quickly.

A built-under to fit beneath work surfaces.

Alternatively, with the built-under oven model NB535ABS0B with a fast preheat and 3D hotAir cooking available in the main oven different types of foods can be cooked flexibly on up to 3 shelving positions, without tastes mingling. Its slightly smaller overall size means this double oven can also fit underneath the work surface – ideal when space is limited but an additional cooking cavity is needed.



NB535ABS0B built-under double oven

Key features of iQ500 double ovens:



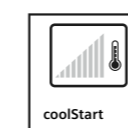
3D hotAir
Can cook all types of food on up to 3 levels simultaneously to stop flavours and smells intermingling.



activeClean®
Heating the cavity up to 480°C, activeClean® burns away all dirt and grime. The remaining ashes can then be easily wiped away inside the oven cavity for effortless oven cleaning.



cookControl
Provides automatic programmes for the perfect preparation of meat, fish, vegetables and bread. Simply select the desired dish and enter the food's weight – everything else is done automatically. Either 10 or 30 programmes available, depending on the model.



coolStart
No more preheating when cooking chilled and frozen convenience food. Using an intelligent heating phase, it is now possible to cook frozen and chilled food without waiting for the oven to preheat.



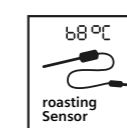
fast preheat
By activating all heating elements simultaneously, Siemens ovens with fast preheating get to the desired temperature very quickly.



ecoClean® liners
A direct coating that lines the inside of the oven, ecoClean® makes cleaning the oven easy. The coated area cleans itself while the oven is on or can be activated with a cleaning programme. Available either as a full coating on the back, roof and sides or exclusively on the back panel.



Electronic control
Depending on the function selected, the oven will suggest a suitable temperature which can be manually adjusted. The selected temperature is displayed digitally and a heating up indicator shows the progress towards the set temperature. The same indicator shows residual heat once the oven is turned off. Get quick access to performance features like cookControl whilst being safe in the knowledge that if left unadjusted for a period of time, the oven will switch off automatically.



Single point roastingSensor
By getting an accurate reading of the core temperature of boneless and fatless dishes, the roastingSensor can precisely and reliably measure the internal temperature of each dish to determine when it is perfectly done.



Control the oven simply by using a smartphone or tablet with the Home Connect App to further expand the potential of the oven.

Features are on selected models. Please check individual models on matrix pages for exact specifications.

Explore compact ovens and microwaves

Ovens with integral microwave*

When teamed with a single oven, Siemens iQ700 compact ovens with microwave offer a great alternative to a double oven when more space is needed for traditional cooking. Designed first and foremost to function as an oven, with construction, features and functions identical to a traditional single oven, these models benefit from the addition of microwaves at low medium power (max. 360W) to deliver oven-led combination cooking. Our varioSpeed faster cooking feature speeds up the cooking process while retaining traditional cooking results.

Microwave combination Ovens*

These iQ500 models are designed to provide more functionality than a solo microwave oven, focusing on combination cooking, with the microwave using higher power (max. 600W) to lead the cooking process, supported by hot air or grill functions to deliver speedy crisp and browned results. Based around a more traditional microwave functionality these models offer the perfect solution if regular microwave heating is the priority, but with the back-up of separate or combination hot air cooking and grill functionality if required.

*These models are designed to operate best in combination mode, so when heating using microwave only, it may be necessary to adjust cooking times.

Compact Ovens with steam

When looking for healthier cooking options the Siemens range of compact ovens with steam creates healthier meals using the power of steam to deliver juicier meats, crisped and fluffy baked items and vegetables that retain more of their vibrant colours, vitamins and nutrients. Siemens fullSteam models offer pure steam cooking, plus many models also offer pulseSteam – pulses of steam are injected into the oven to work in tandem with traditional cooking functions. Please check individual models for exact specifications.



CM676GBS6B compact oven with integral microwave



CM585AGS0B compact microwave combination oven



CP565AGS0B compact microwave combination oven with steam

Inverter Technology

Inverter Technology delivers microwave power constantly while cooking – other, traditional microwaves are only able to deliver maximum power and manage the differing settings by alternating between on and off for specific time periods. This can result in uneven heating or over-cooked food and can be especially damaging to more delicate foods or smaller portions.

With Inverter technology, the microwave delivers power constantly, gradually managing the power levels down over time in order to control the food temperature. This gentle approach to cooking reduces uneven heating or overheated food and is especially beneficial for delicate foods. It may be necessary to adjust cooking times to ensure foods are thoroughly cooked before serving. Siemens recommends that the maximum power setting be used for heating liquids and the microwave is calibrated to provide a burst of high power initially, before managing the power down in stages to the next level over the first few minutes.



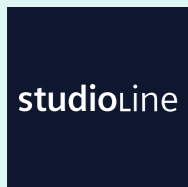
Models shown: **CM678G4S6B** iQ700 compact oven with integral microwave and **BI630CNS1B** iQ700 warming drawer

Warming and accessory drawers

Perfect for warming plates, a Siemens warming drawer will keep food warm for latecomers – as well as keeping plates at an optimum temperature to ensure hot food keeps its warmth when plated. With adjustable temperatures of 40-80°C, a four-setting iQ700 14cm or 29cm high warming drawer can be installed as a standalone appliance, or acts as the perfect accompaniment to Siemens iQ700 ovens and compacts. If needing additional storage only, a matching 14cm accessory drawer is also available. The iQ500 range includes a 14cm high warming drawer featuring 3 settings – minimum, medium and maximum – designed to coordinate with Siemens iQ500 ovens and compacts. The perfect line up of compact appliances with warming drawer is sure to bring style and elegance to any refined kitchen space.



BI630CNS1B iQ700 warming drawer



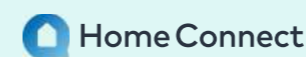
Oven product overview

All single and compact ovens included on these pages feature softClose (excluding BF922L1B1B and BF922R1B1B)

Display type	Single Ovens (60cm) with activeClean (pyrolytic/self-cleaning)			Single Ovens (60cm) with ecoClean (non-pyrolytic)	
	Microwave	Added Steam	Standard	Steam	
TFT touchDisplay Pro					
	HN978GQB1B <ul style="list-style-type: none"> Cooking functions: 27 Individual Browning with camera 4D hotAir cookControl Pro pulseSteam roastingSensor Plus bakingSensor Plus varioSpeed activeClean® 		HB978GNB1B <ul style="list-style-type: none"> Cooking functions: 13 4D hotAir cookControl Pro roastingSensor Plus bakingSensor Plus activeClean® 	HS958KDB1 <ul style="list-style-type: none"> Cooking functions: 24 Voice activated door opening 4D hotAir cookControl Pro roastingSensor Plus bakingSensor Plus Sous-vide fullSteam Plus ecoClean Plus 	HS958GED1B <ul style="list-style-type: none"> Cooking functions: 24 Individual Browning with camera 4D hotAir cookControl Pro roastingSensor Plus bakingSensor Plus Sous-vide fullSteam Plus ecoClean Plus Fixed water connection
TFT touchDisplay Plus					
	HM976GMB1B <ul style="list-style-type: none"> Cooking functions: 19 4D hotAir cookControl Pro roastingSensor Plus varioSpeed activeClean® 	HR976GMB1B <ul style="list-style-type: none"> Cooking functions: 19 4D hotAir cookControl Pro pulseSteam roastingSensor Plus activeClean® 	HB976GMB1B <ul style="list-style-type: none"> Cooking functions: 13 4D hotAir cookControl Plus roastingSensor Plus activeClean® 	HS956GCB1B <ul style="list-style-type: none"> Cooking functions: 22 4D hotAir cookControl Pro roastingSensor Plus Sous-vide fullSteam Plus ecoClean Plus 	
TFT touchDisplay					
			HB974GLB1B <ul style="list-style-type: none"> Cooking functions: 13 3D hotAir cookControl Pro roastingSensor activeClean® 		

iQ700 drawers range

Display type	29cm Drawers	14cm Drawers		
	Warming drawer	Warming drawer	Accessory drawer	studioLine Vacuum drawer
All drawers have: <ul style="list-style-type: none"> Push/pull opening Heated ceramic base (excludes Accessory Drawer) 				
	BI710D1B1B* <ul style="list-style-type: none"> 29cm height Maximum capacity - plates 40 Maximum capacity - espresso cups 192 Temperature levels 4 *core product on page 62	BI710C1B1B* <ul style="list-style-type: none"> 14cm height Maximum capacity - plates 12 Maximum capacity - espresso cups 64 Temperature levels 4 *core product on page 62	BI710E1B1* <ul style="list-style-type: none"> 14cm height Maximum capacity - plates 14 Maximum capacity - espresso cups 64 *core product on page 62	BV910E1B1 <ul style="list-style-type: none"> 14cm height 3 vacuum sealing settings



All single ovens, compact ovens and coffee machine included on these pages feature Home Connect (excluding BF922L1B1B and BF922R1B1B)

Compact Ovens (45cm) with activeClean (pyrolytic/self-cleaning)	Compact Ovens (45cm) with ecoClean (non-pyrolytic) (excluding CM924G1B1B)	Compact Microwave		Coffee Centre
Microwave	Steam	Microwave	Microwave	
CM978GNB1B <ul style="list-style-type: none"> Cooking functions: 21 4D hotAir cookControl Pro roastingSensor Plus bakingSensor Plus varioSpeed activeClean® 	CS958GDD1 <ul style="list-style-type: none"> Cooking functions: 24 4D hotAir cookControl Pro roastingSensor Plus bakingSensor Plus Sous-vide fullSteam Plus ecoClean Plus Fixed water connection 			CT918L1D0 <ul style="list-style-type: none"> coffeeWorld aromaSelect aromaDouble Shot sensoFlow system autoMilk Clean Fixed water connection
CM976GMB1B <ul style="list-style-type: none"> Cooking functions: 19 4D hotAir cookControl Pro roastingSensor Plus varioSpeed activeClean® 	CS956GCB1 <ul style="list-style-type: none"> Cooking functions: 22 4D hotAir cookControl Pro roastingSensor Plus Sous-vide fullSteam Plus ecoClean Plus 			
		CM924G1B1B <ul style="list-style-type: none"> Cooking functions: 15 2D hotAir cookControl Plus varioSpeed ecoClean not included 	BF922R1B1B <ul style="list-style-type: none"> cookControl 7 900 Watts maximum 	BF922L1B1B <ul style="list-style-type: none"> cookControl 7 900 Watts maximum



studioLine 5 year warranty

A five year warranty is available on all Siemens studioLine ovens and compact appliances listed in this brochure to protect against manufacturing and material faults during this warranty period.

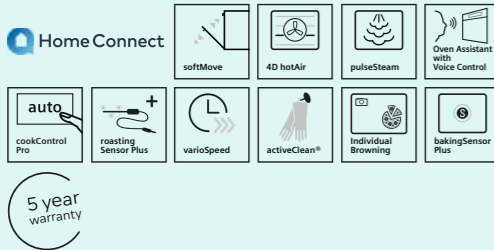


Pyrolytic single ovens



iQ700 HN978GQB1B

Single oven with Microwave function and added steam
Black with steel trim



studioLine pyrolytic single ovens specifications

APPLIANCE TYPE	PYROLYTIC OVEN WITH MICROWAVE FUNCTION AND ADDED STEAM
Design family	iQ700
Model number	HN978GQB1B
DESIGN CHARACTERISTICS	
TFT Touchdisplay / TFT Touchdisplay Plus / TFT Touchdisplay Pro	- / - / ■
Glass handle	■
softMove door opening and closing	■
SAFETY FEATURES	
Electronic control	■
Digital temperature display with proposal	■
Heating up indicator / Residual heat indicator	■ / ■
Control panel lock / Automatic safety switch off	■ / ■
Door lock	■
KEY FEATURES	
Individual Browning with camera	■
Home Connect	■
Oven assistant with Voice control	■
varioSpeed	■
cookControl / cookControl Plus / cookControl Pro	- / - / ■
roastingSensor / roastingSensor Plus	- / ■
bakingSensor Plus	■
Oven shelf positions	5
CLEANING SYSTEM	
activeClean® pyrolytic oven cleaning	■
humidClean Plus	■
Back / roof / side ecoClean® Direct liners	- / - / -
COOKING PROGRAMMES	
Number of heating methods	27
hotAir cooking (3D or 4D)	4D
Microwave (number of combination options)	■
coolStart / fast preheat	■ / ■
Full width surface grill / hotAir grilling / Centre surface grill	■ / ■ / ■
Pizza Setting / Bottom heat / Intensive heat	■ / ■ / ■
Conventional / Conventional gentle	■ / ■
Keep warm / Plate warming	■ / ■
Low temperature cooking / Dehydrate	■ / ■
fullSteam Plus / pulseSteam	- / ■
Dough proving / Reheating / Defrost	■ / ■ / ■
PERFORMANCE / TECHNICAL INFORMATION	
Product dimensions H x W x D (mm)	595 x 594 x 548
Cavity capacity (litres)	67
Water tank volume (litres)	1
Maximum microwave power (W)² / Number of power levels	800 / 5
Nominal voltage (volts)	220-240
Total connected loading (watts)	3600
Cable length (cm)	120
Minimum fuse protection	16A
Interior lights	■
Door glazing	Quadruple
ENERGY EFFICIENCY DATA	
Energy efficiency index (%)	N/A
Energy efficiency class	N/A
Energy consumption per cycle hotAir (kWh)¹	N/A
Energy consumption per cycle conventional (kWh)¹	N/A
STANDARD ACCESSORIES	
Full width enamelled pan / Wire shelves	1 / 2
Steam trays	-
Telescopic rails	■

■ Yes, model has this feature. - Feature not available for this model.

¹ According to Regulation (EU) No 65/2014 (models with integral microwave or steam only are exempt).
² For Inverter models, the maximum setting offers a time limited boost option for heating liquids. To ensure optimal results and to protect the appliance, the microwave power output is reduced in stages over the first few minutes down to the next power level (600W). After a cooling period, the microwave boost option will be available once more.

Data valid in this table as of April 2024. Subject to modification without prior notice.



studioLine pyrolytic single ovens specifications

APPLIANCE TYPE	PYROLYTIC OVEN	PYROLYTIC OVEN WITH MICROWAVE FUNCTION	PYROLYTIC OVEN WITH ADDED STEAM FUNCTION	PYROLYTIC OVEN	PYROLYTIC OVEN
Design family	iQ700	iQ700	iQ700	iQ700	iQ700
Model number	HB978GNB1B	HM976GMB1B	HR976GMB1B	HB976GMB1B	HB974GLB1B
DESIGN CHARACTERISTICS					
TFT Touchdisplay / TFT Touchdisplay Plus / TFT Touchdisplay Pro	- / - / ■	- / ■ / -	- / ■ / -	- / ■ / -	■ / - / -
Glass handle	■	■	■	■	■
softMove door opening and closing	■	■	■	■	■
SAFETY FEATURES					
Electronic control	■	■	■	■	■
Digital temperature display with proposal	■	■	■	■	■
Heating up indicator / Residual heat indicator	■ / ■	■ / ■	■ / ■	■ / ■	■ / ■
Control panel lock / Automatic safety switch off	■ / ■	■ / ■	■ / ■	■ / ■	■ / ■
Door lock	■	■	■	■	■
KEY FEATURES					
Individual Browning with camera	-	-	-	-	-
Home Connect	■	■	■	■	■
Oven assistant with Voice control	■	■	■	■	■
varioSpeed	-	■	-	-	-
cookControl / cookControl Plus / cookControl Pro	- / - / ■	- / - / ■	- / - / ■	- / - / ■	- / - / ■
roastingSensor / roastingSensor Plus	- / ■	- / ■	- / ■	- / ■	■ / -
bakingSensor Plus	■	-	-	-	-
Oven shelf positions	5	5	5	5	5
CLEANING SYSTEM					
activeClean® pyrolytic oven cleaning	■	■	■	■	■
humidClean Plus	■	■	■	-	-
Back / roof / side ecoClean® Direct liners	- / - / -	- / - / -	- / - / -	- / - / -	- / - / -
COOKING PROGRAMMES					
Number of heating methods	13	19	19	13	13
hotAir cooking (3D or 4D)	4D	4D	4D	4D	3D
Microwave (number of combination options)	-	■	-	-	-
coolStart / fast preheat	■ / ■	■ / ■	■ / -	■ / -	■ / ■
Full width surface grill / hotAir grilling / Centre surface grill	■ / ■ / ■	■ / ■ / ■	- / ■ / ■	- / ■ / ■	- / ■ / ■
Pizza Setting / Bottom heat / Intensive heat	■ / ■ / -	■ / ■ / -	■ / ■ / -	■ / ■ / -	■ / ■ / -
Conventional / Conventional gentle	■ / ■	■ / ■	■ / ■	■ / ■	■ / ■
Keep warm / Plate warming	■ / ■	■ / ■	■ / ■	■ / ■	■ / ■
Low temperature cooking / Dehydrate	■ / -	■ / -	■ / -	■ / -	■ / -
fullSteam Plus / pulseSteam	- / -	- / -	- / -	- / -	- / -
Dough proving / Reheating / Defrost	- / - / -	- / - / -	■ / - / -	- / - / -	- / - / -
PERFORMANCE / TECHNICAL INFORMATION					
Product dimensions H x W x D (mm)	595 x 594 x 548	595 x 594 x 548	595 x 594 x 548	595 x 594 x 548	595 x 594 x 548
Cavity capacity (litres)	71	67	71	71	71
Water tank volume (litres)	-	-	1	-	-
Maximum microwave power (W)² / Number of power levels	-	800 / 5	-	-	-
Nominal voltage (volts)	220-240	220-240	220-240	220-240	220-240
Total connected loading (watts)	3600	3600	3600	3600	3600
Cable length (cm)	120	120	120	120	120
Minimum fuse protection	16A	16A	16A	16A	16A
Interior lights	■	■	■	■	■
Door glazing	Quadruple	Quadruple	Quadruple	Quadruple	Quadruple
ENERGY EFFICIENCY DATA					
Energy efficiency index (%)	81.2	N/A	81.2	81.2	81.2
Energy efficiency class	A+	N/A	A+	A+	A+
Energy consumption per cycle hotAir (kWh)¹	0.69	N/A	0.69	0.69	0.69
Energy consumption per cycle conventional (kWh)¹	0.87	N/A	0.87	0.87	0.87
STANDARD ACCESSORIES					
Full width enamelled pan / Wire shelves	1 / 2	1 / 2	1 / 2	1 / 2	1 / 2
Steam trays	-	-	-	-	-
Telescopic rails	■	■	■	■	■

■ Yes, model has this feature. - Feature not available for this model.

¹ According to Regulation (EU) No 65/2014 (models with integral microwave or steam only are exempt).
² For Inverter models, the maximum setting offers a time limited boost option for heating liquids. To ensure optimal results and to protect the appliance, the microwave power output is reduced in stages over the first few minutes down to the next power level (600W). After a cooling period, the microwave boost option will be available once more.

Data valid in this table as of April 2024. Subject to modification without prior notice.

Award Winning Ovens

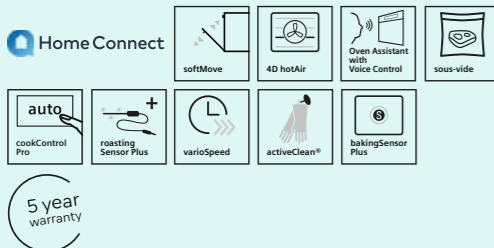
All studioLine ovens on these pages have been accredited with these prestigious design awards.



studioLine Single ovens

iQ700 HS958KDB1

Single oven with steam function
Black with steel trim



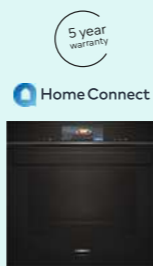
studioLine single ovens specifications

APPLIANCE TYPE	OVEN WITH STEAM FUNCTION
Design family	iQ700
Model number	HS958KDB1
DESIGN CHARACTERISTICS	
TFT Touchdisplay / TFT Touchdisplay Plus / TFT Touchdisplay Pro	- / - / ■
Glass handle	■
softMove door opening and closing	■
SAFETY FEATURES	
Electronic control	■
Heating up indicator / Residual heat indicator	■ / ■
Control panel lock / Automatic safety switch off	■ / ■
Door lock	-
KEY FEATURES	
Voice activated door opening (via Alexa)	■
Individual Browning with camera	-
Home Connect	■
Oven assistant with Voice control	■
varioSpeed	-
cookControl / cookControl Plus / cookControl Pro	- / - / ■
roastingSensor / roastingSensor Plus	- / ■
bakingSensor Plus	■
Oven shelf positions	5
CLEANING SYSTEM	
activeClean® pyrolytic oven cleaning	-
humidClean Plus	■
Back / roof / side ecoClean® Direct liners	■ / ■ / ■
COOKING PROGRAMMES	
Number of heating methods	24
hotAir cooking (3D or 4D)	4D
Microwave (number of combination options)	-
coolStart / fast preheat	■ / ■
Full width surface grill / hotAir grilling / Centre surface grill	■ / ■ / ■
Pizza Setting / Bottom heat / Intensive heat	■ / ■ / ■
Conventional / Conventional gentle	■ / ■
Keep warm / Plate warming	■ / ■
Low temperature cooking / Dehydrate	■ / ■
fullSteam Plus / pulseSteam	■ / ■
Steam jet	■
Sous-vide function	■
Dough proving / Reheating / Defrost	■ / ■ / ■
PERFORMANCE / TECHNICAL INFORMATION	
Product dimensions H x W x D (mm)	595 x 594 x 548
Water tank volume (litres)	1
Fixed water connection	-
Maximum microwave power (W) ² / Number of power levels	-
Nominal voltage (volts)	220-240
Total connected loading (watts)	3600
Cable length (cm)	120
Minimum fuse protection	16A
Interior lights	■
Door glazing	Triple
ENERGY EFFICIENCY DATA	
Energy efficiency index (%)	81.2
Energy efficiency class	A+
Energy consumption per cycle hotAir (kWh) ¹	0.69
Energy consumption per cycle conventional (kWh) ¹	0.87
Cavity capacity (litres)	71
STANDARD ACCESSORIES	
Full width enamelled pan / Wire shelves / Baking tray	1 / 1 / 1
Steam trays punched / unpunched	2 / 1
Meat probe	■
Telescopic rails	■

■ Yes, model has this feature. - Feature not available for this model.

¹ According to Regulation (EU) No 65/2014 (models with integral microwave or steam only are exempt).
² For Inverter models, the maximum setting offers a time limited boost option for heating liquids. To ensure optimal results and to protect the appliance, the microwave power output is reduced in stages over the first few minutes down to the next power level (600W). After a cooling period, the microwave boost option will be available once more.

Data valid in this table as of April 2024. Subject to modification without prior notice.



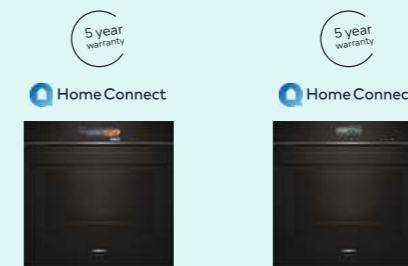
studioLine single ovens specifications

APPLIANCE TYPE	OVEN WITH STEAM FUNCTION	OVEN WITH STEAM
Design family	iQ700	iQ700
Model number	HS958GED1B	HS956GC81B
DESIGN CHARACTERISTICS		
TFT Touchdisplay / TFT Touchdisplay Plus / TFT Touchdisplay Pro	- / - / ■	- / ■ / -
Glass handle	■	■
softMove door opening and closing	■	■
SAFETY FEATURES		
Electronic control	■	■
Heating up indicator / Residual heat indicator	■ / ■	■ / ■
Control panel lock / Automatic safety switch off	■ / ■	■ / ■
Door lock	-	-
KEY FEATURES		
Voice activated door opening (via Alexa)	-	-
Individual Browning with camera	■	-
Home Connect	■	■
Oven assistant with Voice control	■	■
varioSpeed	-	-
cookControl / cookControl Plus / cookControl Pro	- / - / ■	- / - / ■
roastingSensor / roastingSensor Plus	- / ■	- / ■
bakingSensor Plus	■	-
Oven shelf positions	5	5
CLEANING SYSTEM		
activeClean® pyrolytic oven cleaning	-	-
humidClean Plus	■	■
Back / roof / side ecoClean® Direct liners	■ / ■ / ■	■ / ■ / ■
COOKING PROGRAMMES		
Number of heating methods	24	22
hotAir cooking (3D or 4D)	4D	4D
Microwave (number of combination options)	-	-
coolStart / fast preheat	■ / ■	■ / ■
Full width grill / Half width grill / hotAir grilling	■ / ■ / ■	■ / ■ / ■
Pizza Setting / Bottom heat / Intensive heat	■ / ■ / ■	■ / ■ / -
Conventional / Conventional gentle	■ / ■	■ / ■
Keep warm / Plate warming	■ / ■	■ / ■
Low temperature cooking / Dehydrate	■ / ■	■ / -
fullSteam Plus / pulseSteam	■ / ■	■ / ■
Steam jet	■	■
Sous-vide function	■	■
Dough proving / Reheating / Defrost	■ / ■ / ■	■ / ■ / ■
PERFORMANCE / TECHNICAL INFORMATION		
Product dimensions H x W x D (mm)	595 x 594 x 548	595 x 594 x 548
Water tank volume (litres)	-	1
Fixed water connection	■	-
Maximum microwave power (W) ² / Number of power levels	-	-
Nominal voltage (volts)	220-240	220-240
Total connected loading (watts)	3600	3600
Cable length (cm)	120	120
Minimum fuse protection	16A	16A
Interior lights	■	■
Door glazing	Triple	Triple
ENERGY EFFICIENCY DATA		
Energy efficiency index (%)	81.2	81.2
Energy efficiency class	A+	A+
Energy consumption per cycle hotAir (kWh) ¹	0.69	0.69
Energy consumption per cycle conventional (kWh) ¹	0.87	0.87
Cavity capacity (litres)	71	71
STANDARD ACCESSORIES		
Full width enamelled pan / Wire shelves / Baking tray	1 / 2 / 0	1 / 2 / 0
Steam trays punched / unpunched	2 / 1	2 / 1
Meat probe	■	■
Telescopic rails	■	-

■ Yes, model has this feature. - Feature not available for this model.

¹ According to Regulation (EU) No 65/2014 (models with integral microwave or steam only are exempt).
² For Inverter models, the maximum setting offers a time limited boost option for heating liquids. To ensure optimal results and to protect the appliance, the microwave power output is reduced in stages over the first few minutes down to the next power level (600W). After a cooling period, the microwave boost option will be available once more.

Data valid in this table as of April 2024. Subject to modification without prior notice.



Award Winning Ovens

All studioLine ovens on these pages have been accredited with these prestigious design awards.

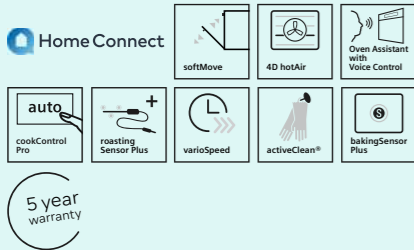




Compact ovens

iQ 700 CM978GNB1B

Compact oven with microwave function
Black with steel trim



studioLine compact ovens specifications

APPLIANCE TYPE	COMPACT OVEN WITH MICROWAVE FUNCTION
Design family	iQ 700
Model number	CM978GNB1B
DESIGN CHARACTERISTICS	
TFT Touchdisplay / TFT Touchdisplay Plus / TFT Touchdisplay Pro	- / - / ■
Glass handle	■
softMove door opening and closing	■
SAFETY FEATURES	
Electronic control	■
Heating up indicator / Residual heat indicator	■ / ■
Control panel lock / Automatic safety switch off	■ / ■
Door lock	■
KEY FEATURES	
Home Connect	■
Oven assistant with Voice control	■
varioSpeed	■
cookControl / cookControl Plus / cookControl Pro	- / - / ■
roastSensor / roastSensor Plus	- / ■
bakingSensor Plus	■
Oven shelf positions	3
CLEANING SYSTEM	
activeClean® pyrolytic oven cleaning	■
humidClean Plus	■
Back / roof / side ecoClean® Direct liners	- / - / -
Drying programme	■
Cleaning and Descaling programme	-
COOKING PROGRAMMES	
Number of heating methods	21
hotAir cooking (3D or 4D)	4D
Microwave (combination)	■
coolStart / fast preheat	■ / ■
Full width surface grill / hotAir grilling / Centre surface grill	■ / ■ / ■
Pizza Setting / Bottom heat / Intensive heat	■ / ■ / ■
Conventional / Conventional gentle	■ / ■
Keep warm / Plate warming	■ / ■
Low temperature cooking / Dehydrate	■ / ■
fullSteam Plus / pulseSteam	- / -
Steam jet	-
Sous-vide function	-
Dough proving / Reheating / Defrost / Fermentation	- / ■ / ■ / -
PERFORMANCE / TECHNICAL INFORMATION	
Product dimensions H x W x D (mm)	455 x 594 x 548
Water tank volume (litres)	-
Fixed water connection	-
Nominal voltage (volts)	220-240
Total connected loading (watts)	3600
Maximum microwave power (W) ² / Number of power levels	900 / 5
Cable length (cm)	150
Minimum fuse protection	16A
Interior lights	■
ENERGY EFFICIENCY DATA	
Energy efficiency index (%)	N/A
Energy efficiency class	N/A
Energy consumption per cycle hotAir (kWh) ¹	N/A
Energy consumption per cycle conventional (kWh) ¹	N/A
Cavity capacity (litres)	45
STANDARD ACCESSORIES	
Full width enamelled pan / Wire shelves / Baking tray	1 / 2 / 0
Steam trays punched / unpunched	- / -
Telescopic rails	■

■ Yes, model has this feature. – Feature not available for this model.

¹ According to Regulation (EU) No 65/2014 (models with integral microwave or steam only are exempt).

² For Inverter models, the maximum setting offers a time limited boost option for heating liquids. To ensure optimal results and to protect the appliance, the microwave power output is reduced in stages over the first few minutes down to the next power level (600W). After a cooling period, the microwave boost option will be available once more.

Data valid in this table as of April 2024. Subject to modification without prior notice.



Home Connect



Home Connect



Home Connect



Home Connect



Home Connect



studioLine compact ovens specifications

APPLIANCE TYPE	COMPACT OVEN WITH MICROWAVE FUNCTION	COMPACT OVEN WITH STEAM FUNCTION	COMPACT OVEN WITH STEAM FUNCTION	COMPACT OVEN WITH MICROWAVE FUNCTION
Design family	iQ 700	iQ 700	iQ 700	iQ 700
Model number	CM978GNB1B	CS958GDD1	CS956GCB1	CM924G1B1B
DESIGN CHARACTERISTICS				
TFT Touchdisplay / TFT Touchdisplay Plus / TFT Touchdisplay Pro	- / ■ / -	- / - / ■	- / ■ / -	■ / - / -
Glass handle	■	■	■	■
softMove door opening and closing	■	■	■	■
SAFETY FEATURES				
Electronic control	■	■	■	■
Heating up indicator / Residual heat indicator	■ / ■	■ / ■	■ / ■	■ / ■
Control panel lock / Automatic safety switch off	■ / ■	■ / ■	■ / ■	■ / ■
Door lock	■	-	-	-
KEY FEATURES				
Home Connect	■	■	■	■
Oven assistant with Voice control	■	■	■	■
varioSpeed	-	-	-	■
cookControl / cookControl Plus / cookControl Pro	- / - / ■	- / - / ■	- / - / ■	- / ■ / -
roastSensor / roastSensor Plus	- / ■	- / ■	- / ■	- / -
bakingSensor Plus	■	■	-	-
Oven shelf positions	3	3	3	3
CLEANING SYSTEM				
activeClean® pyrolytic oven cleaning	■	-	-	-
humidClean Plus	■	■	■	■
Back / roof / side ecoClean® Direct liners	- / - / -	■ / ■ / ■	■ / ■ / ■	- / - / -
Drying programme	■	■	■	■
Cleaning and Descaling programme	-	■	■	-
COOKING PROGRAMMES				
Number of heating methods	19	24	22	15
hotAir cooking (3D or 4D)	4D	4D	4D	2D
Microwave (combination)	■	-	-	■
coolStart / fast preheat	■ / ■	■ / ■	■ / ■	- / -
Full width grill / Half width grill / hotAir grilling	■ / ■ / ■	■ / ■ / ■	■ / ■ / ■	■ / ■ / ■
Pizza Setting / Bottom heat / Intensive heat	■ / ■ / -	■ / ■ / ■	■ / ■ / -	- / ■ / -
Conventional / Conventional gentle	■ / ■	■ / ■	■ / ■	■ / ■
Keep warm / Plate warming	■ / ■	■ / ■	■ / ■	- / -
Low temperature cooking / Dehydrate	■ / ■	■ / ■	■ / ■	■ / ■
fullSteam Plus / pulseSteam	- / -	■ / ■	■ / ■	- / -
Steam jet	-	■	■	-
Sous-vide function	-	■	■	-
Dough proving / Reheating / Defrost / Fermentation	- / ■ / ■ / -	■ / ■ / ■ / ■	■ / ■ / ■ / ■	- / ■ / ■ / -
PERFORMANCE / TECHNICAL INFORMATION				
Product dimensions H x W x D (mm)	455 x 594 x 548	455 x 594 x 548	455 x 594 x 548	455 x 594 x 548
Water tank volume (litres)	-	1	1	-
Fixed water connection	-	■	-	-
Nominal voltage (volts)	220-240	220-240	220-240	220-240
Total connected loading (watts)	3600	3600	3600	3600
Maximum microwave power (W) ² / Number of power levels	900 / 5	-	-	900 / 5
Cable length (cm)	150	150	150	150
Minimum fuse protection	16A	16A	16A	16A
Interior lights	■	■	■	■
ENERGY EFFICIENCY DATA				
Energy efficiency index (%)	N/A	81.3	81.3	N/A
Energy efficiency class	N/A	A	A	N/A
Energy consumption per cycle hotAir (kWh) ¹	N/A	0.61	0.61	N/A
Energy consumption per cycle conventional (kWh) ¹	N/A	0.73	0.73	N/A
Cavity capacity (litres)	45	47	47	45
STANDARD ACCESSORIES				
Full width enamelled pan / Wire shelves / Baking tray	1 / 1 / 0	1 / 1 / 1	1 / 1 / 0	1 / 1 / 0
Steam trays punched / unpunched	- / -	2 / 1	2 / 1	- / -
Telescopic rails	■	■	■	■

■ Yes, model has this feature. – Feature not available for this model.

¹ According to Regulation (EU) No 65/2014 (models with integral microwave or steam only are exempt).

² For Inverter models, the maximum setting offers a time limited boost option for heating liquids. To ensure optimal results and to protect the appliance, the microwave power output is reduced in stages over the first few minutes down to the next power level (600W). After a cooling period, the microwave boost option will be available once more.

Data valid in this table as of April 2024. Subject to modification without prior notice.

Award Winning Compact Ovens

All studioLine compact ovens on these pages have been accredited with these prestigious design awards.



studioLine Microwaves

iQ700 BF922L1B1B

Microwave
Black with steel trim



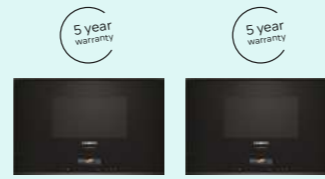
studioLine microwaves specifications

APPLIANCE TYPE	MICROWAVE	MICROWAVE
Design family	iQ700	iQ700
Model number	BF922L1B1B	BF922R1B1B
DESIGN CHARACTERISTICS		
TFT Touchdisplay / TFT Touchdisplay Plus / TFT Touchdisplay Pro	■ / - / -	■ / - / -
Side opening door	Left-hinged	Right-hinged
Control panel position	Bottom	Bottom
CONTROLS		
Electronic control	■	■
Automatic programmes	7	7
CLEANING		
activeClean® pyrolytic oven cleaning	-	-
humidClean Plus	■	■
Back / roof / side ecoClean® Direct liners	- / - / -	- / - / -
KEY FEATURES		
Home Connect	-	-
Oven assistant with Voice control	-	-
Electronic clock	■	■
clearText Display	■	■
Full glass inner door	■	■
Internal light	■	■
Stainless steel interior	■	■
Microwave	■	■
Quartz grill	-	-
Microwave / grill combination	- / -	- / -
cookControl	cookControl7	cookControl7
PERFORMANCE / TECHNICAL INFORMATION		
Product dimensions H x W x D (mm)	382 x 594 x 318	382 x 594 x 318
Oven capacity litres	21	21
Inverter technology	■	■
Maximum microwave power (W) ¹	900	900
Number of microwave power levels	5	5
Nominal voltage (volts)	220-240	220-240
Total connected loading (watts)	1220	1220
Cable length (cm)	175	175
Minimum fuse protection	10A	10A
GB plug	■	■
STANDARD ACCESSORIES		
Glass pan / insert grid	-	-

■ Yes, model has this feature. - Feature not available for this model.

¹For Inverter models, the maximum setting offers a time limited boost option for heating liquids. To ensure optimal results and to protect the appliance, the microwave power output is reduced in stages over the first few minutes down to the next power level (600W). After a cooling period, the microwave boost option will be available once more.

Data valid in this table as of April 2024. Subject to modification without prior notice.



studioLine Drawer

iQ700 BV910E1B1

Vacuum drawer
Black



studioLine drawer specifications

APPLIANCE TYPE	VACUUM DRAWER
Design family	iQ700
Model number	BV910E1B1
KEY FEATURES & FUNCTIONS	
Home Connect	-
Operating indicator light	■
Electronic control	■
Rotary temperature dial	-
Touch control illuminated	■
Number of temperature settings	-
Number of vacuum sealing levels	3
Glass safety lid	■
Maximum temperature (°C)	-
Minimum temperature (°C)	-
Maximum capacity – plates	-
Maximum capacity – espresso cups	-
Toughened glass base	-
Vacuum drawer	■
Plate and cup warming	-
Keep warm	-
Defrost	-
Low temperature cooking	-
TECHNICAL INFORMATION	
Product dimensions H x W x D (mm)	140x 594 x 518
Install independently	■
Install with compact appliance	iQ700
Install with a single oven	iQ700
Push-pull opening mechanism	■
Drawer interior volume (litres)	8
Installation in a tall housing unit	-
Installation under work surface	-
Maximum weight capacity (kg)	-
Nominal voltage (volts)	220-240
Total connected loading (kW)	0.32
Cable length (cm)	150
Minimum fuse protection	6A
GB plug	■
STANDARD ACCESSORIES	
Vacuinating platform	■
External vacuinating adaptor, hose & plugs	■
Sample vacuinating bags small / big	50 / 50
OPTIONAL ACCESSORIES	
100 x Vacuum bags (180 x 280mm)	-
100 x Vacuum bags (240 x 350mm)	-

■ Yes, model has this feature. - Feature not available for this model.

Data valid in this table as of April 2024. Subject to modification without prior notice.



Award Winning Microwaves

All studioLine microwaves on this page have been accredited with these prestigious design awards.



Award Winning Vacuum Drawer














The studioLine vacuum drawer on this page has been accredited with these prestigious design awards.



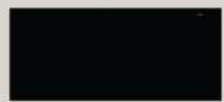
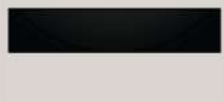
Oven product overview

iQ700 single oven range

All single and compact ovens included on these pages feature softClose (excluding BF722L1B1B)









Display type	Single Ovens (60cm) with activeClean (pyrolytic/self-cleaning)			Single Ovens (60cm) with ecoClean (non-pyrolytic)	
	Microwave	pulseSteam	Standard	Steam	Standard
 TFT touchDisplay Pro	 HM778GMB1B • Cooking functions: 21 • 4D hotAir • cookControl Pro • roastingSensor Plus • varioSpeed • activeClean®		 HB778G3B1B • Cooking functions: 13 • 4D hotAir • cookControl Pro • roastingSensor Plus • activeClean®	 HS758G3B1B • Cooking functions: 22 • 4D hotAir • cookControl Pro • roastingSensor Plus • fullSteam Plus • ecoClean Plus	
 TFT touchDisplay Plus	 HM776G1B1B • Cooking functions: 19 • 4D hotAir • cookControl Pro • varioSpeed • activeClean®	 HR776G1B1B • Cooking functions: 19 • 4D hotAir • cookControl Pro • pulseSteam • activeClean®	 HB776G1B1B • Cooking functions: 13 • 4D hotAir • cookControl Plus • activeClean®	 HS736G1B1B • Cooking functions: 21 • 4D hotAir • cookControl Pro • fullSteam Plus • ecoClean	 HB736G1B1B • Cooking functions: 13 • 4D hotAir • cookControl Plus • ecoClean
 TFT touchDisplay			 HB772G1B1B • Cooking functions: 10 • 3D hotAir • cookControl Plus • activeClean®	 HB732G1B1B • Cooking functions: 10 • 3D hotAir • cookControl Plus • ecoClean	

iQ700 drawers range

Display type	29cm Drawers		14cm Drawers
	Warming drawer	Warming drawer	Accessory drawer
All drawers have: • Push/pull opening • Heated ceramic base (excludes Accessory Drawer)	 BI710D1B1B • 29cm height • Maximum capacity - plates 40 • Maximum capacity - espresso cups 192 • Temperature levels 4	 BI710C1B1B • 14cm height • Maximum capacity - plates 12 • Maximum capacity - espresso cups 64 • Temperature levels 4	 BI710E1B1 • 14cm height • Maximum capacity - plates 14 • Maximum capacity - espresso cups 64 • Temperature levels n/a



All single ovens, compact ovens and coffee machine included on these pages feature Home Connect (excluding BF722L1B1B and CE732GXB1B)

Compact Ovens (45cm) with activeClean (pyrolytic/self-cleaning)			Compact Ovens (45cm) with ecoClean (non-pyrolytic) (excluding CM724G1B1B)		Compact Microwave		Coffee Centre
Microwave	Microwave	Steam	Microwave	Microwave with grill	Microwave	Microwave with grill	
 CM778GNB1B • Cooking functions: 21 • 4D hotAir • cookControl Pro • roastingSensor Plus • bakingSensor Plus • varioSpeed • activeClean®							 CT718L1B0 • doubleCup • coffeeWorld • aromaSelect • ceramDrive • autoMilk Clean
 CM776G1B1B • Cooking functions: 19 • 4D hotAir • cookControl Pro • varioSpeed • activeClean®	 CM736G1B1B • Cooking functions: 19 • 4D hotAir • cookControl Pro • varioSpeed • ecoClean	 CS736G1B1 • Cooking functions: 21 • 4D hotAir • cookControl Pro • fullSteam Plus • ecoClean					
	 CM724G1B1B • Cooking functions: 15 • 2D hotAir • cookControl Pro • varioSpeed ecoClean not included		 CE732GXB1B • cookControl 10 • 1000 Watts maximum • Grill function	 BF722L1B1B • cookControl 7 • 900 Watts maximum • Left hinged			



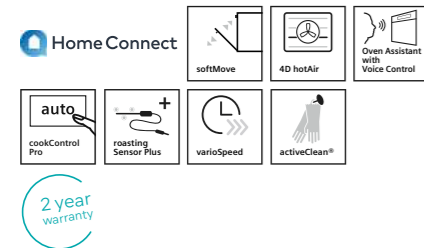
2 year warranty

A two year warranty is available on all Siemens ovens and compact appliances listed in this brochure to protect against manufacturing and material faults during this warranty period.

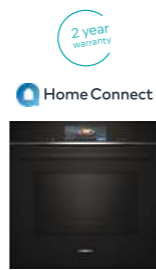
Pyrolytic single ovens

iQ700 HM778GMB1B

Single multi-function oven with integral microwave
Black with steel trim



2 year warranty



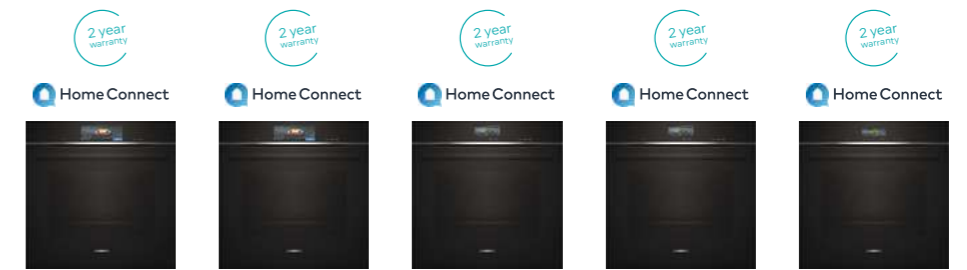
Pyrolytic single ovens specifications

APPLIANCE TYPE	PYROLYTIC OVEN WITH INTEGRAL MICROWAVE
Design family	iQ700
Model number	HM778GMB1B
DESIGN CHARACTERISTICS	
TFT Touchdisplay Pro	■
TFT Touchdisplay Plus	-
TFT Touchdisplay	-
softMove door opening and closing	■
SAFETY FEATURES	
Electronic control	■
Digital temperature display with proposal	■
Heating up indicator / Residual heat indicator	■ / ■
Control panel lock / Automatic safety switch off	■ / ■
Door lock	■
KEY FEATURES	
Home Connect	■
Oven assistant with Voice control	■
varioSpeed	■
cookControl / cookControl Plus / cookControl Pro	- / - / ■
roastingSensor / roastingSensor Plus	- / ■
Oven shelf positions	5
CLEANING SYSTEM	
activeClean® pyrolytic oven cleaning	■
humidClean Plus	■
Back / roof / side ecoClean® Direct liners	- / - / -
PROGRAMMES / FUNCTIONS	
Number of heating methods	21
hotAir cooking (3D or 4D)	4D
Microwave (number of combination options)	5
coolStart / fast preheat	■ / ■
Full width surface grill / hotAir grilling / Centre surface grill	■ / ■ / ■
Pizza Setting / Bottom heat / Intensive heat	■ / ■ / ■
Conventional / Conventional gentle	■ / ■
Keep warm / Plate warming	■ / ■
Low temperature cooking / Dehydrate	■ / ■
pulseSteam / fullSteam Plus	- / -
Dough proving / Reheating / Defrost	- / - / -
PERFORMANCE / TECHNICAL INFORMATION	
Product dimensions H x W x D (mm)	595 x 594 x 548
Cavity capacity (litres)	67
Water tank volume (litres)	-
Maximum microwave power (W) ¹ / Number of power levels	800 / 5
Nominal voltage (volts)	220-240
Total connected loading (watts)	3600
Cable length (cm)	120
Minimum fuse protection	16A
Interior lights	■
Door glazing	Quadruple
STANDARD ACCESSORIES	
Full width enamelled pan / Wire shelves	1 / 2
Steam trays	-
Telescopic rails	■

■ Yes, model has this feature. - Feature not available for this model.

¹ For Inverter models, the maximum setting offers a time limited boost option for heating liquids. To ensure optimal results and to protect the appliance, the microwave power output is reduced in stages over the first few minutes down to the next power level (600W). After a cooling period, the microwave boost option will be available once more.

Data valid in this table as of April 2024. Subject to modification without prior notice.



Pyrolytic single ovens specifications

APPLIANCE TYPE	PYROLYTIC OVEN	PYROLYTIC OVEN WITH MICROWAVE	PYROLYTIC OVEN WITH PULSESTEAM	PYROLYTIC OVEN	PYROLYTIC OVEN
Design family	iQ700	iQ700	iQ700	iQ700	iQ700
Model number	HB778G3B1B	HM776G1B1B	HR776G1B1B	HB776G1B1B	HB772G1B1B
DESIGN CHARACTERISTICS					
TFT Touchdisplay Pro	■	-	-	-	-
TFT Touchdisplay Plus	-	■	■	■	-
TFT Touchdisplay	-	-	-	-	■
softMove door opening and closing	■	■	■	■	■
SAFETY FEATURES					
Electronic control	■	■	■	■	■
Digital temperature display with proposal	■	■	■	■	■
Heating up indicator / Residual heat indicator	■ / ■	■ / ■	■ / ■	■ / ■	■ / ■
Control panel lock / Automatic safety switch off	■ / ■	■ / ■	■ / ■	■ / ■	■ / ■
Door lock	■	■	■	■	■
KEY FEATURES					
Home Connect	■	■	■	■	■
Oven assistant with Voice control	■	■	■	■	■
varioSpeed	-	■	-	-	-
cookControl / cookControl Plus / cookControl Pro	- / - / ■	- / - / ■	- / - / ■	- / - / ■	- / - / -
roastingSensor / roastingSensor Plus	- / ■	-	-	-	-
Oven shelf positions	5	5	5	5	5
CLEANING SYSTEM					
activeClean® pyrolytic oven cleaning	■	■	■	■	■
humidClean Plus	■	■	■	■	■
Back / roof / side ecoClean® Direct liners	- / - / -	- / - / -	- / - / -	- / - / -	- / - / -
PROGRAMMES / FUNCTIONS					
Number of heating methods	13	19	19	13	10
hotAir cooking (3D or 4D)	4D	4D	4D	4D	3D
Microwave (number of combination options)	-	5	-	-	-
coolStart / fast preheat	■ / ■	■ / ■	■ / ■	■ / ■	■ / ■
Full width surface grill / hotAir grilling / Centre surface grill	■ / ■ / ■	■ / ■ / ■	■ / ■ / ■	■ / ■ / ■	■ / ■ / ■
Pizza Setting / Bottom heat / Intensive heat	■ / ■ / -	■ / ■ / -	■ / ■ / -	■ / ■ / -	■ / ■ / -
Conventional / Conventional gentle	■ / ■	■ / ■	■ / ■	■ / ■	■ / ■
Keep warm / Plate warming	■ / ■	■ / ■	■ / ■	■ / ■	-
Low temperature cooking / Dehydrate	■ / -	■ / -	■ / ■	■ / -	-
pulseSteam / fullSteam Plus	- / -	- / -	■ / -	-	-
Dough proving / Reheating / Defrost	- / - / -	- / - / -	■ / ■ / -	-	-
PERFORMANCE / TECHNICAL INFORMATION					
Product dimensions H x W x D (mm)	595 x 594 x 548	595 x 594 x 548	595 x 594 x 548	595 x 594 x 548	595 x 594 x 548
Cavity capacity (litres)	71	67	71	71	71
Water tank volume (litres)	-	-	1	-	-
Maximum microwave power (W) ¹ / Number of power levels	- / -	800 / 5	- / -	- / -	- / -
Nominal voltage (volts)	220-240	220-240	220-240	220-240	220-240
Total connected loading (watts)	3600	3600	3600	3600	3600
Cable length (cm)	120	120	120	120	120
Minimum fuse protection	16A	16A	16A	16A	16A
Interior lights	■	■	■	■	■
Door glazing	Quadruple	Quadruple	Quadruple	Quadruple	Quadruple
STANDARD ACCESSORIES					
Full width enamelled pan / Wire shelves	1 / 2	1 / 2	1 / 2	1 / 2	1 / 2
Steam trays	-	-	-	-	-
Telescopic rails	■	■	■	■	■

■ Yes, model has this feature. - Feature not available for this model.

¹ For Inverter models, the maximum setting offers a time limited boost option for heating liquids. To ensure optimal results and to protect the appliance, the microwave power output is reduced in stages over the first few minutes down to the next power level (600W). After a cooling period, the microwave boost option will be available once more.

Data valid in this table as of April 2024. Subject to modification without prior notice.

Award Winning Ovens

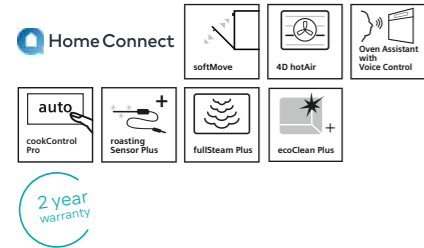
All ovens on these pages have been accredited with these prestigious design awards.



Single ovens

iQ700 HS758G3B1B

Single multi-function oven with steam function
Black with steel trim



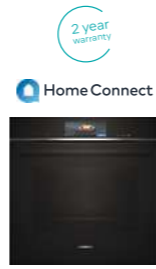
Single ovens specifications

APPLIANCE TYPE	SINGLE OVEN WITH STEAM FUNCTION
Design family	iQ700
Model number	HS758G3B1B
DESIGN CHARACTERISTICS	
TFT Touchdisplay Pro	■
TFT Touchdisplay Plus	-
TFT Touchdisplay	-
softMove door opening and closing	■
SAFETY FEATURES	
Electronic control	■
Digital temperature display with proposal	■
Heating up indicator / Residual heat indicator	■ / ■
Control panel lock / Automatic safety switch off	■ / ■
KEY FEATURES	
Home Connect	■
Oven assistant with Voice control	■
varioSpeed	-
cookControl / cookControl Plus / cookControl Pro	- / - / ■
roastingSensor / roastingSensor Plus	- / ■
Oven shelf positions	5
CLEANING SYSTEM	
activeClean® pyrolytic oven cleaning	-
humidClean Plus	■
Back / roof / side ecoClean® Direct liners	ecoClean® Plus
PROGRAMMES / FUNCTIONS	
Number of heating methods	22
hotAir cooking (3D or 4D)	4D
Microwave (number of combination options)	-
coolStart / fast preheat	■ / ■
Full width surface grill / hotAir grilling / Centre surface grill	■ / ■ / ■
Pizza Setting / Bottom heat / Intensive heat	■ / ■ / ■
Conventional / Conventional gentle	■ / ■
Keep warm / Plate warming	■ / ■
Low temperature cooking / Dehydrate	■ / -
pulseSteam / fullSteam Plus	- / ■
Steam boost	■
Dough proving / Reheating / Defrost	■ / ■ / ■
PERFORMANCE / TECHNICAL INFORMATION	
Product dimensions H x W x D (mm)	595 x 594 x 548
Cavity capacity (litres)	71
Water tank volume (litres)	1
Maximum microwave power (W) ¹ / Number of power levels	- / -
Nominal voltage (volts)	220-240
Total connected loading (watts)	3600
Cable length (cm)	120
Minimum fuse protection	16A
Interior lights	■
Door glazing	■
STANDARD ACCESSORIES	
Full width enamelled pan / Wire shelves	1 / 2
Steam trays punched / unpunched	2 / 1
Telescopic rails	■

■ Yes, model has this feature. - Feature not available for this model.

¹ For Inverter models, the maximum setting offers a time limited boost option for heating liquids. To ensure optimal results and to protect the appliance, the microwave power output is reduced in stages over the first few minutes down to the next power level (600W). After a cooling period, the microwave boost option will be available once more.

Data valid in this table as of April 2024. Subject to modification without prior notice.



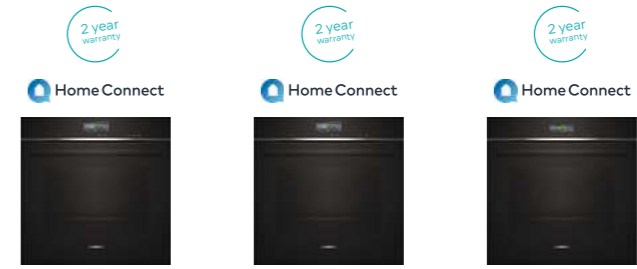
Single ovens specifications

APPLIANCE TYPE	SINGLE OVEN WITH STEAM FUNCTION	SINGLE OVEN	SINGLE OVEN
Design family	iQ700	iQ700	iQ700
Model number	HS736G1B1B	HB736G1B1B	HB732G1B1B
DESIGN CHARACTERISTICS			
TFT Touchdisplay Pro	-	-	-
TFT Touchdisplay Plus	■	■	-
TFT Touchdisplay	-	-	■
softMove door opening and closing	■	■	■
SAFETY FEATURES			
Electronic control	■	■	■
Digital temperature display with proposal	■	■	■
Heating up indicator / Residual heat indicator	■ / ■	■ / ■	■ / ■
Control panel lock / Automatic safety switch off	■ / ■	■ / ■	■ / ■
KEY FEATURES			
Home Connect	■	■	■
Oven assistant with Voice control	■	■	■
varioSpeed	-	-	-
cookControl / cookControl Plus / cookControl Pro	- / - / ■	- / ■ / -	- / ■ / -
roastingSensor / roastingSensor Plus	- / -	- / -	- / -
Oven shelf positions	5	5	5
CLEANING SYSTEM			
activeClean® pyrolytic oven cleaning	-	-	-
humidClean Plus	■	■	■
Back / roof / side ecoClean® Direct liners	ecoClean®	ecoClean®	ecoClean®
PROGRAMMES / FUNCTIONS			
Number of heating methods	21	13	10
hotAir cooking (3D or 4D)	4D	4D	3D
Microwave (number of combination options)	-	-	-
coolStart / fast preheat	■ / ■	■ / ■	■ / ■
Full width surface grill / hotAir grilling / Centre surface grill	■ / ■ / ■	■ / ■ / ■	■ / ■ / ■
Pizza Setting / Bottom heat / Intensive heat	■ / ■ / -	■ / ■ / -	■ / ■ / -
Conventional / Conventional gentle	■ / ■	■ / ■	■ / ■
Keep warm / Plate warming	■ / ■	■ / ■	- / -
Low temperature cooking / Dehydrate	■ / -	■ / -	- / -
pulseSteam / fullSteam Plus	- / ■	- / -	- / -
Steam boost	■	-	-
Dough proving / Reheating / Defrost	■ / ■ / ■	- / - / -	- / - / -
PERFORMANCE / TECHNICAL INFORMATION			
Product dimensions H x W x D (mm)	595 x 594 x 548	595 x 594 x 548	595 x 594 x 548
Cavity capacity (litres)	71	71	71
Water tank volume (litres)	1	-	-
Maximum microwave power (W) ¹ / Number of power levels	- / -	- / -	- / -
Nominal voltage (volts)	220-240	220-240	220-240
Total connected loading (watts)	3600	3600	3600
Cable length (cm)	120	120	120
Minimum fuse protection	16A	16A	16A
Interior lights	■	■	■
Door glazing	■	■	■
STANDARD ACCESSORIES			
Full width enamelled pan / Wire shelves	1 / 2	1 / 2	1 / 2
Steam trays punched / unpunched	2 / 1	- / -	- / -
Telescopic rails	■	■	■

■ Yes, model has this feature. - Feature not available for this model.

¹ For Inverter models, the maximum setting offers a time limited boost option for heating liquids. To ensure optimal results and to protect the appliance, the microwave power output is reduced in stages over the first few minutes down to the next power level (600W). After a cooling period, the microwave boost option will be available once more.

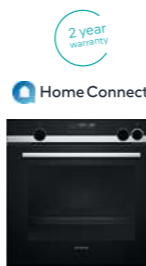
Data valid in this table as of April 2024. Subject to modification without prior notice.



Award Winning Ovens

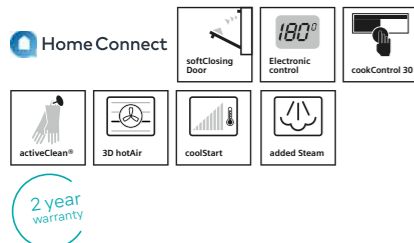
All ovens on these pages have been accredited with these prestigious design awards.





iQ500 HR578G5S6B

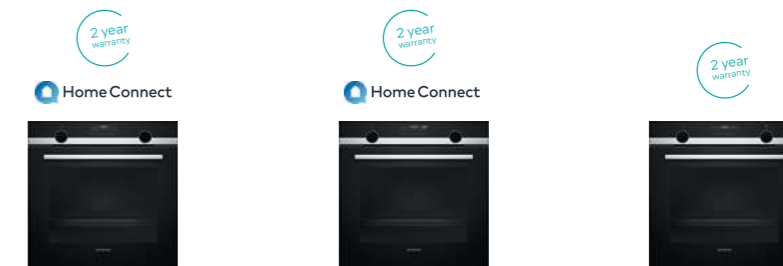
Single multi-function oven with addedSteam
Black, stainless steel



Single ovens specifications

APPLIANCE TYPE	PYROLYTIC OVEN WITH ADDED STEAM
Design family	iQ500
Model number	HR578G5S6B
DESIGN CHARACTERISTICS	
TFT Touchdisplay Pro	-
TFT Touchdisplay Plus	-
TFT Touchdisplay	-
lightControl illuminated dials	■
softClosing door opening and closing	■
SAFETY FEATURES	
Electronic control	■
Digital temperature display with proposal	■
Heating up indicator/ Residual heat indicator	■ / ■
Control panel lock / Automatic safety switch off	■ / ■
Door lock	■
KEY FEATURES	
Home Connect	■
roastingSensor Plus	-
bakingSensor Plus	-
roastingSensor	■
cookControl Plus	-
cookControl	30
CLEANING FUNCTIONS	
activeClean® pyrolytic oven cleaning	■
Back / roof / side ecoClean® Direct liners	- / - / -
ecoClean® setting	-
PROGRAMMES / FUNCTIONS	
hotAir cooking with hotAir gentle	3D
Microwave (number of combination options)	-
coolStart / fast preheat	■ / -
Full width surface grill / hotAir grilling / Centre surface grill	■ / ■ / -
Pizza Setting / Bottom heat / Intensive heat	■ / - / -
Conventional / Conventional gentle	■ / -
Keep warm / Plate warming	- / -
Low temperature cooking / Dehydrate	- / -
fullSteam / pulseSteam	- / -
addedSteam	■
Dough proving / Reheating / Defrost	- / ■ / -
Descaling programme / Cavity drying function	■ / -
PERFORMANCE / TECHNICAL INFORMATION	
Product dimensions H x W x D (mm)	595 x 594 x 548
Water tank capacity with empty indicator (litres)	0.2
Inverter technology	-
Maximum microwave power (W) ² / Number of power levels	-
Nominal voltage (volts)	220-240
Total connected loading (watts)	3600
Cable length (cm)	120
Minimum fuse protection	16A
Interior lights	1 x 25W halogen
Door glazing	Quadruple
ENERGY EFFICIENCY DATA¹	
Energy efficiency index	95.3
Energy efficiency class	A
Energy consumption per cycle hotAir (kWh)	0.81
Energy consumption per cycle conventional (kWh)	0.99
Oven capacity (litres)	71
Time to cook standard load (mins)	51
Largest baking sheet area (cm)	1290
STANDARD ACCESSORIES	
Full width enamelled pan / Wire shelves	1 / 2
Steam tray, perforated	-
Telescopic rails	1 x clip rail

■ Yes, model has this feature. - Feature not available for this model.
¹ According to Regulation (EU) No 65/2014 (models with integral microwave or steam only are exempt).
² For Inverter models, the maximum setting offers a time limited boost option for heating liquids. To ensure optimal results and to protect the appliance, the microwave power output is reduced in stages over the first few minutes down to the next power level (600W). After a cooling period, the microwave boost option will be available once more.
 Data valid in this table as of April 2024. Subject to modification without prior notice.



Single ovens specifications

APPLIANCE TYPE	PYROLYTIC OVEN	PYROLYTIC OVEN	OVEN WITH ECOCLEAN®
Design family	iQ500	iQ500	iQ500
Model number	HB578G5S6B	HB578A0S6B	HB535A0S0B
DESIGN CHARACTERISTICS			
TFT Touchdisplay Pro	-	-	-
TFT Touchdisplay Plus	-	-	-
TFT Touchdisplay	-	-	-
lightControl illuminated dials	■	■	■
softClosing door opening and closing	■	-	-
SAFETY FEATURES			
Electronic control	■	■	-
Digital temperature display with proposal	■	■	-
Heating up indicator/ Residual heat indicator	■ / ■	■ / ■	■ / -
Control panel lock / Automatic safety switch off	■ / ■	■ / ■	■ / -
Door lock	■	■	-
KEY FEATURES			
Home Connect	■	■	-
roastingSensor Plus	-	-	-
bakingSensor Plus	-	-	-
roastingSensor	■	-	-
cookControl Plus	-	-	-
cookControl	30	30	10
CLEANING FUNCTIONS			
activeClean® pyrolytic oven cleaning	■	■	-
Back / roof / side ecoClean® Direct liners	- / - / -	- / - / -	■ / - / -
ecoClean® setting	-	-	-
PROGRAMMES / FUNCTIONS			
hotAir cooking with hotAir gentle	3D	3D	3D
Microwave (number of combination options)	-	-	-
coolStart / fast preheat	■ / -	■ / -	■ / -
Full width surface grill / hotAir grilling / Centre surface grill	■ / ■ / -	■ / ■ / -	■ / ■ / -
Pizza Setting / Bottom heat / Intensive heat	■ / - / -	■ / - / -	- / - / -
Conventional / Conventional gentle	■ / -	■ / -	■ / -
Keep warm / Plate warming	- / -	- / -	- / -
Low temperature cooking / Dehydrate	■ / -	■ / -	- / -
fullSteam / pulseSteam	- / -	- / -	- / -
addedSteam	-	-	-
Dough proving / Reheating / Defrost	- / - / -	- / - / -	- / - / -
Descaling programme / Cavity drying function	- / -	- / -	- / -
PERFORMANCE / TECHNICAL INFORMATION			
Product dimensions H x W x D (mm)	595 x 594 x 548	595 x 594 x 548	595 x 594 x 548
Water tank capacity with empty indicator (litres)	-	-	-
Inverter technology	-	-	-
Maximum microwave power (W) ² / Number of power levels	-	-	-
Nominal voltage (volts)	220-240	220-240	220-240
Total connected loading (watts)	3600	3600	3600
Cable length (cm)	120	120	120
Minimum fuse protection	16A	16A	16A
Interior lights	1 x 25W halogen	1 x 25W halogen	1 x 25W halogen
Door glazing	Quadruple	Quadruple	Double
ENERGY EFFICIENCY DATA¹			
Energy efficiency index	95.3	95.3	95.3
Energy efficiency class	A	A	A
Energy consumption per cycle hotAir (kWh)	0.81	0.81	0.81
Energy consumption per cycle conventional (kWh)	0.99	0.99	0.97
Oven capacity (litres)	71	71	71
Time to cook standard load (mins)	50	50	44
Largest baking sheet area (cm)	1290	1290	1290
STANDARD ACCESSORIES			
Full width enamelled pan / Wire shelves	1 / 2	1 / 2	1 / 2
Steam tray, perforated	-	-	-
Telescopic rails	1 x clip rail	1 x clip rail	1 x clip rail

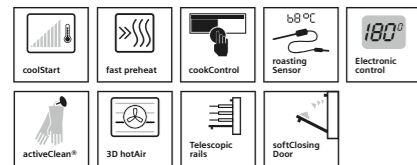
■ Yes, model has this feature. - Feature not available for this model.
¹ According to Regulation (EU) No 65/2014 (models with integral microwave or steam only are exempt).
² For Inverter models, the maximum setting offers a time limited boost option for heating liquids. To ensure optimal results and to protect the appliance, the microwave power output is reduced in stages over the first few minutes down to the next power level (600W). After a cooling period, the microwave boost option will be available once more.
 Data valid in this table as of April 2024. Subject to modification without prior notice.

Double ovens



iQ500 MB578G5S6B

Double oven with activeClean®
Black, stainless steel



Double ovens specifications

APPLIANCE TYPE	BUILT-IN	
	iQ500	
Display family	iQ500	
Model number	MB578G5S6B	
DESIGN CHARACTERISTICS	MAIN	2ND
Black glass with steel trim	■	■
Glass and metal fascia	■	■
lightControl illuminated dials	■	■
Standard bar handle	■	■
Telescopic shelf rail	1 x varioClip	–
softClosing door	■	–
SAFETY FEATURES	MAIN	2ND
Electronic control	■	■
Digital temperature display with proposal	■	–
Actual temperature display	■	–
Heating up indicator	■	■
Residual heat indicator	■	–
Control panel lock	■	■
Automatic safety switch off	■	–
Automatic on/off programmer	■	–
KEY FEATURES	MAIN	2ND
Home Connect	■	■
cookControl	30	–
roastingSensor	■	–
Electronic clock timer	■	–
Internal light	1 x 25W halogen	1 x 25W halogen
Smooth enamelled oven interior	■	■
Full glass inner door	■	■
Door glazing	4	4
Number of shelf positions	5	3
CLEANING SYSTEM	MAIN	2ND
Pyrolytic cleaning	■	■
Back / roof / side ecoClean® liners	–	–
ecoClean® setting	–	–
PROGRAMMES / FUNCTIONS	MAIN	2ND
hotairGentle	■	–
3D hotAir cooking	■	–
Defrosting	–	–
Full width surface grill	■	■
Centre surface grill	–	■
Hot air grilling	■	–
coolStart	■	–
Pizza setting	■	–
Conventional top & bottom heating	■	■
Bottom heat	■	■
Low temperature cooking	■	–
Fast preheat	■	–
PERFORMANCE / TECHNICAL INFORMATION	MAIN	2ND
Cavity dimensions H x W x D (mm)	357 x 480 x 415	166 x 480 x 426
Product dimensions H x W x D (mm)	888 x 594 x 550	
Nominal voltage (V) / Total connected loading (W)	220-240 / 6300	
Cable length (cm) / Minimum Fuse Protection	– / 32A	
ENERGY EFFICIENCY CLASS ¹	MAIN	2ND
Energy efficiency Index	95.3	120.3
Energy efficiency class	A	B
Energy consumption per cycle hot air (kWh)	0.81	–
Energy consumption per cycle conventional (kWh)	0.97	0.83
Oven capacity (litres)	71	34
Time to cook standard load (mins)	44	45
Largest baking sheet area (cm)	1290	1290
STANDARD ACCESSORIES	MAIN	2ND
Full width enamelled pan / wire shelves	1 / 3	

■ Yes, model has this feature. – Feature not available for this model.

¹ According to Regulation (EU) No 65/2014 (models with integral microwave or steam only are exempt)

Data valid in this table as of April 2024. Subject to modification without prior notice.



Double ovens specifications

APPLIANCE TYPE	BUILT-IN		BUILT-IN	
	iQ500		iQ500	
Display family	iQ500		iQ500	
Model number	MB577G5S0B		MB535A0S0B	
DESIGN CHARACTERISTICS	MAIN	2ND	MAIN	2ND
Black glass with steel trim	■	■	■	■
Glass and metal fascia	■	■	■	■
lightControl illuminated dials	■	■	■	■
Standard bar handle	■	■	■	■
Telescopic shelf rail	1 x varioClip	–	1 x varioClip	–
softClosing door	■	–	–	–
SAFETY FEATURES	MAIN	2ND	MAIN	2ND
Electronic control	–	–	–	–
Digital temperature display with proposal	–	–	–	–
Actual temperature display	–	–	–	–
Heating up indicator	■	–	■	–
Residual heat indicator	–	–	–	–
Control panel lock	■	■	■	■
Automatic safety switch off	–	–	–	–
Automatic on/off programmer	■	–	■	–
KEY FEATURES	MAIN	2ND	MAIN	2ND
Home Connect	–	–	–	–
cookControl	10	–	10	–
roastingSensor	■	–	–	–
Electronic clock timer	■	■	■	■
Internal light	1 x 25W halogen	1 x 25W halogen	1 x 25W halogen	1 x 25W halogen
Smooth enamelled oven interior	■	■	■	■
Full glass inner door	■	■	■	■
Door glazing	3	3	2	3
Number of shelf positions	5	3	5	3
CLEANING SYSTEM	MAIN	2ND	MAIN	2ND
Pyrolytic cleaning	–	–	–	–
Back / roof / side ecoClean® liners	■ / ■ / ■	■ / ■ / ■	■ / – / –	■ / ■ / ■
ecoClean® setting	■	–	–	–
PROGRAMMES / FUNCTIONS	MAIN	2ND	MAIN	2ND
hotairGentle	■	–	■	–
3D hotAir cooking	■	–	■	–
Defrosting	–	–	–	–
Full width surface grill	■	■	■	■
Centre surface grill	–	■	–	■
Hot air grilling	■	–	■	–
coolStart	–	–	–	–
Pizza setting	■	–	–	–
Conventional top & bottom heating	■	■	■	■
Bottom heat	■	■	–	■
Low temperature cooking	–	–	–	–
Fast preheat	■	–	■	–
PERFORMANCE / TECHNICAL INFORMATION	MAIN	2ND	MAIN	2ND
Cavity dimensions H x W x D (mm)	357 x 480 x 415	166 x 480 x 426	357 x 480 x 415	166 x 480 x 426
Product dimensions H x W x D (mm)	–		–	
Nominal voltage (V) / Total connected loading (W)	220-240 / 6200		220-240 / 6200	
Cable length (cm) / Minimum Fuse Protection	– / –		– / –	
ENERGY EFFICIENCY CLASS ¹	MAIN	2ND	MAIN	2ND
Energy efficiency Index	95.3	120.3	95.3	120.3
Energy efficiency class	A	B	A	B
Energy consumption per cycle hot air (kWh)	0.81	–	0.81	–
Energy consumption per cycle conventional (kWh)	0.97	0.83	0.97	0.83
Oven capacity (litres)	71	34	71	34
Time to cook standard load (mins)	44	45	44	45
Largest baking sheet area (cm)	1290	1290	1290	1290
STANDARD ACCESSORIES	MAIN	2ND	MAIN	2ND
Full width enamelled pan / wire shelves	1 / 3		1 / 3	

■ Yes, model has this feature. – Feature not available for this model.

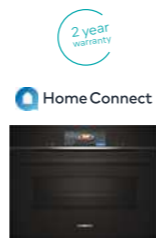
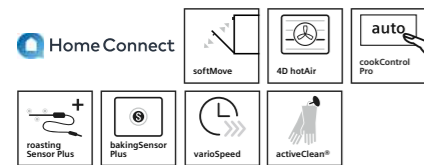
¹ According to Regulation (EU) No 65/2014 (models with integral microwave or steam only are exempt)

Data valid in this table as of April 2024. Subject to modification without prior notice.

Compact ovens

iQ700 CM778GNB1B

Compact pyrolytic oven with integral microwave
Black with steel trim



Compact ovens specifications

APPLIANCE TYPE	COMPACT OVEN WITH MICROWAVE FUNCTION
Design family	iQ700
Model number	CM778GNB1B
DESIGN CHARACTERISTICS	
TFT Touchdisplay Pro	■
TFT Touchdisplay Plus	-
TFT Touchdisplay	-
softMove door opening and closing	■
SAFETY FEATURES	
Electronic control	■
Digital temperature display with proposal	■
Heating up indicator / Residual heat indicator	- / ■
Control panel lock / Automatic safety switch off	■ / ■
Door lock	■
KEY FEATURES	
Home Connect	■
Oven assistant with Voice control	■
varioSpeed	■
cookControl / cookControl Plus / cookControl Pro	- / - / ■
roastingSensor / roastingSensor Plus	- / ■
bakingSensor Plus	■
Oven shelf positions	3
CLEANING SYSTEM	
activeClean® pyrolytic oven cleaning	■
humidClean Plus	-
Back / roof / side ecoClean® Direct liners	-
Drying programme	■
Cleaning and descaling programme	-
COOKING PROGRAMMES	
Number of heating methods	21
hotAir cooking (3D or 4D)	4D
Microwave (combination)	■
coolStart / fast preheat	■ / ■
Full width grill / Half width grill / hotAir grilling	■ / ■ / ■
Pizza Setting / Bottom heat / Intensive heat	■ / ■ / ■
Conventional / Conventional gentle	■ / ■
Keep warm / Plate warming	■ / ■
Low temperature cooking / Dehydrate	■ / ■
pulseSteam / fullSteam Plus	- / -
steamBoost	-
Dough proving / reheating / defrost	- / - / -
PERFORMANCE / TECHNICAL INFORMATION	
Product dimensions H x W x D (mm)	455 x 594 x 548
Cavity capacity (litres)	45
Water tank volume (litres)	-
Nominal voltage (volts)	220-240
Total connected loading (watts)	3600
Maximum microwave power (W) ¹ / Number of power levels	900 / 5
Cable length (cm)	150
Minimum fuse protection	16A
Interior lights	■
Door glazing	■
STANDARD ACCESSORIES	
Full width enamelled pan / Wire shelves	1 / 2
Steam trays	-
Telescopic rails	1 level

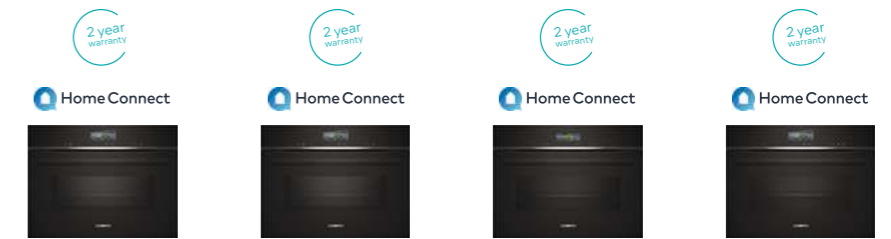
■ Yes, model has this feature. - Feature not available for this model.

¹ For Inverter models, the maximum setting offers a time limited boost option for heating liquids. To ensure optimal results and to protect the appliance, the microwave power output is reduced in stages over the first few minutes down to the next power level (600W). After a cooling period, the microwave boost option will be available once more.

Data valid in this table as of April 2024. Subject to modification without prior notice.

Award Winning Compact Ovens

All compact ovens on these pages have been accredited with these prestigious design awards.



Compact ovens specifications

APPLIANCE TYPE	COMPACT OVEN WITH MICROWAVE FUNCTION	COMPACT OVEN WITH MICROWAVE FUNCTION	COMPACT OVEN WITH MICROWAVE FUNCTION	COMPACT OVEN WITH STEAM FUNCTION
Design family	iQ700	iQ700	iQ700	iQ700
Model number	CM776G1B1B	CM736G1B1B	CM724G1B1B	CS736G1B1
DESIGN CHARACTERISTICS				
TFT Touchdisplay Pro	-	-	-	-
TFT Touchdisplay Plus	■	■	-	■
TFT Touchdisplay	-	-	■	-
softMove door opening and closing	■	■	■	■
SAFETY FEATURES				
Electronic control	■	■	■	■
Digital temperature display with proposal	■	■	■	■
Heating up indicator / Residual heat indicator	■ / ■	■ / ■	- / ■	■ / ■
Control panel lock / Automatic safety switch off	■ / ■	- / ■	- / ■	■ / ■
Door lock	■	-	-	■
KEY FEATURES				
Home Connect	■	■	■	■
Oven assistant with Voice control	■	■	■	■
varioSpeed	■	■	■	-
cookControl / cookControl Plus / cookControl Pro	- / - / ■	- / - / ■	- / - / ■	- / - / ■
roastingSensor / roastingSensor Plus	- / -	- / -	- / -	- / -
bakingSensor Plus	-	-	-	-
Oven shelf positions	3	3	3	3
CLEANING SYSTEM				
activeClean® pyrolytic oven cleaning	■	-	-	-
humidClean Plus	-	-	-	■
Back / roof / side ecoClean® Direct liners	-	ecoClean®	-	ecoClean®
Drying programme	■	■	■	■
Cleaning and descaling programme	-	-	-	■
COOKING PROGRAMMES				
Number of heating methods	19	19	15	21
hotAir cooking (3D or 4D)	4D	4D	2D	4D
Microwave (combination)	■	■	■	-
coolStart / fast preheat	■ / ■	■ / ■	- / -	■ / ■
Full width grill / Half width grill / hotAir grilling	■ / ■ / ■	■ / ■ / ■	■ / ■ / ■	■ / ■ / ■
Pizza Setting / Bottom heat / Intensive heat	■ / ■ / -	■ / ■ / -	- / ■ / -	■ / ■ / -
Conventional / Conventional gentle	■ / ■	■ / ■	■ / ■	■ / ■
Keep warm / Plate warming	■ / ■	■ / ■	- / ■	■ / ■
Low temperature cooking / Dehydrate	■ / -	■ / -	- / -	■ / -
pulseSteam / fullSteam Plus	- / -	- / -	- / -	- / ■
steamBoost	-	-	-	■
Dough proving / reheating / defrost	- / - / -	- / - / -	- / - / -	■ / ■ / ■
PERFORMANCE / TECHNICAL INFORMATION				
Product dimensions H x W x D (mm)	455 x 594 x 548	455 x 594 x 548	455 x 594 x 548	455 x 594 x 548
Cavity capacity (litres)	45	45	45	47
Water tank volume (litres)	-	-	-	1
Nominal voltage (volts)	220-240	220-240	220-240	220-240
Total connected loading (watts)	3600	3600	3600	3300
Maximum microwave power (W) ¹ / Number of power levels	900 / 5	900 / 5	900 / 5	- / -
Cable length (cm)	150	150	150	150
Minimum fuse protection	16A	16A	16A	16A
Interior lights	■	■	■	■
Door glazing	■	■	■	■
STANDARD ACCESSORIES				
Full width enamelled pan / Wire shelves	1 / 1	1 / 1	1 / 1	1 / 1
Steam trays	-	-	-	3
Telescopic rails	-	-	-	■

■ Yes, model has this feature. - Feature not available for this model.

¹ For Inverter models, the maximum setting offers a time limited boost option for heating liquids. To ensure optimal results and to protect the appliance, the microwave power output is reduced in stages over the first few minutes down to the next power level (600W). After a cooling period, the microwave boost option will be available once more.

Data valid in this table as of April 2024. Subject to modification without prior notice.

iQ500 CM585AGS0B

Compact oven with microwave function
Black with steel trim



Compact ovens specifications

APPLIANCE TYPE	COMPACT OVEN WITH MICROWAVE FUNCTION
Design family	iQ500
Model number	CM585AGS0B
DESIGN CHARACTERISTICS	
TFT Touchdisplay Pro	-
TFT Touchdisplay Plus	-
TFT Touchdisplay	-
LCD display with lightControl illuminated dials	■
Soft closing door	-
SAFETY FEATURES	
Electronic control	■
Digital temperature display with proposal	-
Heating up indicator / Residual heat indicator	- / -
Control panel lock / Automatic safety switch off	■ / ■
Door lock	-
KEY FEATURES	
Home Connect	-
roastingSensor Plus	-
bakingSensor Plus	-
cookControl	15
cookControl Plus	-
CLEANING FUNCTIONS	
activeClean® pyrolytic oven cleaning	-
Back / roof / side ecoClean® Direct liners	- / - / -
ecoClean® setting	-
PROGRAMMES / FUNCTIONS	
hotAir cooking with hotAir gentle	Standard
Microwave (number of combination options)	2
coolStart / Pre-heating	- / -
Full width surface grill / Hot air grilling / Centre surface grill	■ / - / -
Pizza setting / Bottom heat / Intensive heat	- / - / -
Conventional / Conventional eco	- / -
Low temperature cooking / Keep warm	■ / -
fullSteam / pulseSteam	- / -
addedSteam	-
Dough proving / Reheating / Defrost	- / - / -
Cleaning & Descaling programme / Drying	- / -
PERFORMANCE / TECHNICAL INFORMATION	
Product dimensions H x W x D (mm)	455 x 594 x 570
Water tank capacity with empty indicator (litres)	-
Inverter technology	-
Maximum microwave power (W) ² / Number of power levels	900 / 5
Nominal voltage (volts)	220-240
Total connected loading (watts)	3350
Cable length (cm)	180
Minimum fuse protection	16A
Interior lights	■
Door glazing	Double
ENERGY EFFICIENCY DATA¹	
Energy efficiency index	-
Energy efficiency class	-
Energy consumption per cycle hotAir (kWh)	-
Energy consumption per cycle conventional (kWh)	-
Oven capacity (litres)	44
Time to cook standard load (mins)	-
Largest baking sheet area (cm)	-
STANDARD ACCESSORIES	
Full width enamelled pan / Wire shelves	- / -
Steam tray, perforated (S,L,XL) / unperforated (S,L,XL)	-
Telescopic rails	-

■ Yes, model has this feature. - Feature not available for this model.

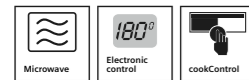
¹ According to Regulation (EU) No 65/2014 (models with integral microwave or steam only are exempt).
² For inverter models, the maximum setting offers a time limited boost option for heating liquids. To ensure optimal results and to protect the appliance, the microwave power output is reduced in stages over the first few minutes down to the next power level (600W). After a cooling period, the microwave boost option will be available once more.

Data valid in this table as of April 2024. Subject to modification without prior notice.

Microwaves

iQ700 CE732GXB1B

Microwave oven with grill
Black with steel trim



Microwave specifications

APPLIANCE TYPE	MICROWAVE OVEN WITH GRILL
Design family	iQ700
Model number	CE732GXB1B
DESIGN CHARACTERISTICS	
TFT Touchdisplay Pro	–
TFT Touchdisplay Plus	–
TFT Touchdisplay	■
Side opening door (left hinged)	–
Control panel position	Top, horizontal
CONTROLS	
Electronic control	■
Automatic programmes	■
Safety switch off	–
KEY FEATURES	
Home Connect	–
Oven assistant with Voice control	–
Installation in wall unit / tall housing	■ / ■
Electronic clock	–
ClearText Display	–
Full glass inner door	–
Glazed door (Quadruple/Triple/Double)	Double
Maximum cooking time duration (mins)	90
Stainless steel interior	■
Microwave	■
Quartz grill	■
Microwave / grill combination	■
cookControl/ cookControl Plus / cookControl Pro	■ / – / –
PERFORMANCE / TECHNICAL INFORMATION	
Product dimensions H x W x D (mm)	455 x 594 x 564
Oven capacity (litres)	36
Maximum microwave power (W) ¹	1000
Number of microwave power levels	5
Nominal voltage (volts)	220-240
Total connected load (kWh)	3100
Cable length cm	150
Minimum fuse protection	16A
GB plug	■
STANDARD ACCESSORIES	
Glass pan / Insert grid	– / –

■ Yes, model has this feature. – Feature not available for this model.

¹ For Inverter models, the maximum setting offers a time limited boost option for heating liquids. To ensure optimal results and to protect the appliance, the microwave power output is reduced in stages over the first few minutes down to the next power level (600W). After a cooling period, the microwave boost option will be available once more.

Data valid in this table as of April 2024. Subject to modification without prior notice.

Microwave specifications

APPLIANCE TYPE	MICROWAVE
Design family	iQ700
Model number	BF722L1B1B
DESIGN CHARACTERISTICS	
TFT touchdisplay Pro	–
TFT touchdisplay Plus	–
TFT touchdisplay	■
Side opening door (left hinged)	■
Control panel position	Bottom, horizontal
CONTROLS	
Electronic control	■
Automatic programmes	■
Safety switch off	–
KEY FEATURES	
Home Connect	–
Oven assistant with Voice control	–
Installation in wall unit / tall housing	■ / ■
Electronic clock	–
ClearText Display	–
Full glass inner door	–
Glazed door (Quadruple/Triple/Double)	Double
Maximum cooking time duration (mins)	90
Stainless steel interior	■
Microwave	■
Quartz grill	–
Microwave / grill combination	–
cookControl / cookControl Plus / cookControl Pro	■ / – / –
PERFORMANCE / TECHNICAL INFORMATION	
Product dimensions H x W x D (mm)	382 x 594 x 318
Oven capacity (litres)	21
Maximum microwave power (W) ¹	900
Number of microwave power levels	5
Nominal voltage (volts)	220-240
Total connected load (kWh)	1220
Cable length cm	175
Minimum fuse protection	16A
GB plug	■
STANDARD ACCESSORIES	
Glass pan / Insert grid	– / –

■ Yes, model has this feature. – Feature not available for this model.

¹ For Inverter models, the maximum setting offers a time limited boost option for heating liquids. To ensure optimal results and to protect the appliance, the microwave power output is reduced in stages over the first few minutes down to the next power level (600W). After a cooling period, the microwave boost option will be available once more.

Data valid in this table as of April 2024. Subject to modification without prior notice.

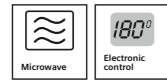
Award Winning Microwaves

All microwaves on these pages have been accredited with these prestigious design awards.



iQ500 BF555LMS0B

Microwave
Black with steel trim



Microwave specifications

APPLIANCE TYPE	MICROWAVE
Design family	iQ500
Model number	BF555LMS0B
Black glass with steel trim	■
DESIGN CHARACTERISTICS	
Stainless steel navigation control dial	–
TFT Display	–
touchControl	touchSlider
Side opening door	■
Control panel position	Right, vertical
CONTROLS	
Electronic control	■
Automatic programmes	7
Safety switch off	■
PROGRAMMES / FUNCTIONS	
Microwave	■
Quartz Grill	–
Microwave / grill combination	–
FEATURES	
Installation in wall unit / tall housing	– / ■
Full width frameless design	■
Electronic clock	■
ClearText Display	LED
Full glass inner door	–
Glazed door (Quadruple/Triple/Double)	–
Memory settings	1
Maximum cooking time duration (mins)	99
Electronic door opening	■
Hinge	Left
Internal light	1 x 3W LED
Stainless steel interior	■
PERFORMANCE / TECHNICAL INFORMATION	
Cavity H x W x D (mm)	208 x 328 x 369
Appliance dimensions H x W x D (mm)	382 x 594 x 388
Oven capacity (litres)	25
Inverter technology	–
Maximum Microwave power (W) ¹	900
Number of Microwave power levels	5
Microwave distribution	Turntable
Turntable diameter (mm)	315
Total connected load (kWh)	1.45
Cable length (cm)	130
GB plug	■
Minimum fuse protection	10A
STANDARD ACCESSORIES	
Glass pan / Insert grid	– / –

■ Yes, model has this feature. – Feature not available for this model.

¹ For Inverter models, the maximum setting offers a time limited boost option for heating liquids. To ensure optimal results and to protect the appliance, the microwave power output is reduced in stages over the first few minutes down to the next power level (600W). After a cooling period, the microwave boost option will be available once more.

Data valid in this table as of April 2024. Subject to modification without prior notice.



Microwave specifications

APPLIANCE TYPE	MICROWAVE
Design family	iQ500
Model number	BF525LMS0B
Black glass with steel trim	■
DESIGN CHARACTERISTICS	
Stainless steel navigation control dial	–
TFT Display	–
touchControl	touchSlider
Side opening door	■
Control panel position	Right, vertical
CONTROLS	
Electronic control	■
Automatic programmes	7
Safety switch off	■
PROGRAMMES / FUNCTIONS	
Microwave	■
Quartz Grill	–
Microwave / grill combination	–
FEATURES	
Installation in wall unit / tall housing	201 x 308 x 282
Full width frameless design	382 x 594 x 317
Electronic clock	20
ClearText Display	–
Full glass inner door	800
Glazed door (Quadruple/Triple/Double)	5
Memory settings	Turntable
Maximum cooking time duration (mins)	255
Electronic door opening	1.27
Hinge	130
Internal light	■
Stainless steel interior	10A
PERFORMANCE / TECHNICAL INFORMATION	
Cavity H x W x D (mm)	201 x 308 x 282
Appliance dimensions H x W x D (mm)	382 x 594 x 317
Oven capacity (litres)	20
Inverter technology	–
Maximum Microwave power (W) ¹	800
Number of Microwave power levels	5
Microwave distribution	Turntable
Turntable diameter (mm)	255
Total connected load (kWh)	1.27
Cable length (cm)	130
GB plug	■
Minimum fuse protection	10A
STANDARD ACCESSORIES	
Glass pan / Insert grid	– / –

■ Yes, model has this feature. – Feature not available for this model.

¹ For Inverter models, the maximum setting offers a time limited boost option for heating liquids. To ensure optimal results and to protect the appliance, the microwave power output is reduced in stages over the first few minutes down to the next power level (600W). After a cooling period, the microwave boost option will be available once more.

Data valid in this table as of April 2024. Subject to modification without prior notice.

Drawers

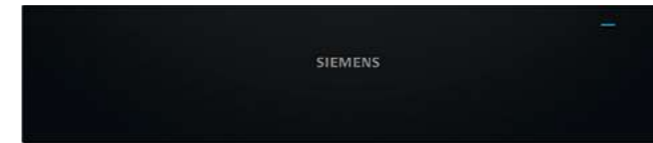
iQ700 BI710D1B1B

Warming drawer
Black



iQ500 BI510CNR0B

Warming drawer
Black



Warming drawers specifications

APPLIANCE TYPE	WARMING DRAWER	WARMING DRAWER	ACCESSORY DRAWER
Model number	BI710D1B1B	BI710C1B1B	BI710E1B1
Design family	iQ700	iQ700	iQ700
KEY FEATURES & FUNCTIONS			
Home Connect	■	■	–
Operating indicator light	■	■	–
Electronic control	■	■	–
Rotary temperature dial	–	–	–
Touch control illuminated	■	■	–
Maximum temperature (°C)	80	80	–
Minimum temperature (°C)	30	30	–
Maximum capacity - plates	40	12	14
Maximum capacity - espresso cups	192	64	64
Toughened glass base	■	■	Anti-slip mat
Plate and cup warming	■	■	–
Keep warm	■	■	–
Defrost	■	■	–
Low temperature cooking	■	■	–
TECHNICAL INFORMATION			
Appliance Dimensions (H x W x D mm)	290 x 594 x 518	140 x 594 x 518	140 x 594 x 518
Install independently	■	■	■
Install with compact appliance	iQ700	iQ700	iQ700
Install with a single oven	iQ700	iQ700	iQ700
Push-Pull opening mechanism	■	■	■
Drawer interior volume (L)	54	20	20
Installation in a tall housing	■	■	■
Installation under work surface	■	■	■
Maximum weight capacity (kg)	25	25	15
Total connected loading (kW)	0.82	0.82	–
Cable length (in cm)	175	175	–
Minimum fuse protection	10A	10A	–
GB plug	■	■	–

■ Yes, model has this feature. – Feature not available for this model.

Data valid in this table as of April 2024. Subject to modification without prior notice.

Warming drawers specifications

APPLIANCE TYPE	WARMING DRAWER
Model number	BI510CNR0B
Design family	All iQ500 models
KEY FEATURES & FUNCTIONS	
Operating indicator light	■
Electronic control	–
Rotary temperature control dial	■
Number of temperature settings	3
Number of vacuum seal time settings	–
Number of vacuum sealing levels – bags / containers	–
Glass safety lid	–
Maximum temperature (°C)	80
Minimum temperature (°C)	40
Maximum capacity – plates	14
Maximum capacity – espresso cups	64
Toughened glass base	Anti-slip mat
Vacuum Drawer	–
Plate warming	■
Hold Warm	■
Defrost	■
Low temperature cooking	–
TECHNICAL INFORMATION	
Install independently	■
Install with compact appliance	iQ500
Install with a single oven	iQ500
Push-Pull opening mechanism	■
Drawer interior volume (litres)	23
Installation in a tall housing	■
Installation under work surface	■
Maximum weight capacity (kg)	15
Total connected loading (kW)	0.40
Cable length (in cm)	150
Appliance Dimensions (H x W x D mm)	100 x 475 x 490
Minimum Fuse Protection	6A
GB plug	■

■ Yes, model has this feature. – Feature not available for this model.

Data valid in this table as of April 2024. Subject to modification without prior notice.

Award Winning Drawers

All drawers on this page have been accredited with these prestigious design awards.





Accessories



HZ86S000 Glass serving dish



HZ629070 Air fryer and grill tray in anthracite



HZ530000 Two-piece half depth enamelled pan set



HZ638000 1 level telescopic shelf rails with stop, fully extendible



HZ6BMA00 Metal platform and brackets



HZ538000 Level independent varioClip telescopic rails

Optional accessories

		iQ700		iQ500		
		Single Ovens	45cm Compact Ovens	Single Ovens	Compact Ovens	Double Ovens*
AIR FRYING, ROASTING & BAKING ACCESSORIES						
HZ86S000	Glass serving dish - approx 40 x 25cm - for iQ700 ovens and compact ovens and iQ500 ovens	■	■	■	-	■
HZ629070	Air fryer and grill tray in anthracite. Required for Air Fry Function, required for Air Fry Function (function not available as standard, requires download via Home Connect), for iQ700 ovens	■	■	-	-	-
HZ530000	2 piece half depth enamelled pan set	■	-	-	-	-
TELESCOPIC RAILS						
HZ638000	1 level telescopic shelf rails with stop, fully extendible, for non pyrolytic*, non-full steam iQ700 ovens*	■*	■*	-	-	-
HZ638070	Level independent telescopic shelf rails with stop, fully extendible, for iQ700 pyrolytic ovens*	■*	■*	-	-	-
HZ638D00	Level independent telescopic shelf rails with stop, fully extendible, for iQ700 steam ovens*	■*	■*	-	-	-
HZ538000	1 pair of level independent varioClip telescopic rails for iQ500 single and double ovens	-	-	■	-	■
INSTALLATION ACCESSORIES						
HZ6BMA00	Metal platform and brackets suited to combinations of iQ700 60cm Single ovens and 45cm Compact ovens in column (special single aperture required)	■	■	-	-	-
HZ66X600	Cosmetic decor strip for use between 60cm single and 45cm compact ovens	■	■	■	■	-

■ Yes, compatible. - No, not compatible.

*Main cavity only
Optional accessories not suited for use during pyrolytic cleaning unless stated
Data valid in this table as of April 2024. Subject to modification without prior notice.

Discover the art of coffee

Experience the exceptional aroma of freshly brewed coffee at the push of a button.

Introducing the studioLine coffee centre – a masterpiece as aesthetically pleasing as it is efficient, combining design, technology, and great tasting coffee.



Pure precision for perfect coffee indulgence with our built-in studioLine coffee centre.

The iQ700 studioLine built-in coffee centre conveys an elegant impression of absolute quality and intelligent innovation for those passionate about coffee.

The design of the iQ700 coffee centre is perfectly aligned with the entire iQ700 series. The milk, water and bean containers are conveniently hidden behind the coffee centre's door to keep the design lines clean, while the TFT Touchdisplay Pro and LED lights put each coffee in the spotlight.

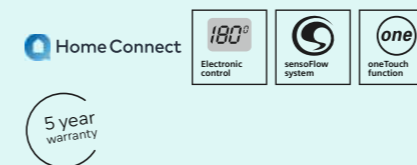
Designed with easy access to the water tank, coffee bean container and insulated milk jug, the coffee centre has front access thanks to a hinged front panel – so it is quick and easy to replace the water or beans. The milk tubes are also cleaned with steam after every milk beverage and as most of the components are removable and dishwasher safe, they are also easy to clean. Easy to install, the machine requires no extra plumbing.



studioLine Built-in coffee centre

iQ700 CT918L1D0

Built-in coffee centre
Black



studioLine Built-in coffee centre specifications

APPLIANCE TYPE	COFFEE CENTRE – BUILT-IN
Design family	iQ700
Model number	CT918L1D0
DESIGN CHARACTERISTICS	
TFT Touchdisplay Pro	■
TFT Touchdisplay Plus	–
TFT Touchdisplay	–
KEY FEATURES	
Home Connect	■
Electronic control	■
sensoflow System	■
AromaSelect	■
AromaDoubleShot	■
Automatic steam blast milk cleaning function	■
oneTouch preparation	■
Ceramic coffee grinders	■
Multilevel grinding setting	■
Cup illumination	■
Height adjustable coffee & milk outlets (mm)	■
ADJUSTABLE AUTOMATIC SWITCH OFF SETTING	
Memory settings	30
Integrated water filter	Optional
PROGRAMMES / FUNCTIONS	
Type of beverages	55
my Coffee - personalised beverage settings	1 or 2 cup
Milk foam	1 or 2 cup
Hot water	1 or 2 cup
Warm milk	1 or 2 cup
Ristretto	1 or 2 cup
Coffee	1 or 2 cup
Espresso	1 or 2 cup
Cappuccino	1 or 2 cup
Latte Macchiato	1 or 2 cup
Caffe latte	1 or 2 cup
Espresso Macchiato	1 or 2 cup
One touch function for milk drinks	■
Coffee / Hot water temperature options	3 / 4
Milk foam / frothing function	■ / ■
Warm Milk function	■
CLEANING	
calc'nClean (cleaning and descaling programme)	■ / ■
autoMilk Clean	■
Automatic rinse when switched on/off	■ / ■
PERFORMANCE / TECHNICAL INFORMATION	
Product dimensions H x W x D (mm)	382 x 594 x 385
Front access	■
Water tank capacity (litres)	2.4
Fixed water connection only	■
Bean container capacity (g)	500
Grinding degree setting	6
Pump pressure (bar)	19
Ground coffee container	■
Fixed water connection	■
Total connected loading (W)	1500
Nominal voltage (volts)	220-240
Fuse protection	10A
Cable length (in cm)	170
STANDARD ACCESSORIES	
Insulated Milk container capacity (litres)	0.5
Milk pipe	■

■ Yes, model has this feature. – Feature not available for this model.
Data valid in this table as of April 2024. Subject to modification without prior notice.

Award Winning Coffee Machine

The Coffee Machine on this page has been accredited with these prestigious design awards.





Model shown: CT718L1B0 built-in coffee centre with TFT touchDisplay Pro

Pure precision for perfect coffee indulgence

Immerse yourself in the world of coffee.

The Siemens fully automated built-in coffee centre is designed to deliver a great coffee experience, thanks to the interaction of all components – a result of our years of experience and strong commitment to research and development.

Pure precision for perfect coffee indulgence with our built-in coffee centre.

Our iQ700 built-in coffee centre conveys an elegant impression of absolute quality and intelligent innovation for those passionate about coffee.

The design of the iQ700 coffee centre is perfectly aligned with the entire iQ700 series. To keep the sleek lines looking clean, all milk, water and bean containers are conveniently hidden behind the coffee centre's door, while the TFT touchDisplay and LED lights put each coffee in the spotlight.

Designed with easy access to the water tank, bean holder and insulated milk jug, the coffee centre has front access thanks to a hinged front panel to allow quick and easy access to replace the water or beans. The milk tubes are also cleaned with steam after every coffee with milk and as most of the components are removable and dishwasher safe, they are also easy to clean. Easy to install, the machine requires no extra plumbing.



oneTouch function
The Siemens coffee centre can deliver delicious-tasting coffee – from latte macchiato, creamy cappuccino to extra-strong espresso at the touch of a button. The system prepares coffee and milk specialities automatically, which can be customised to the user preference.



sensoFlow system
Different coffees require the espresso shot to be heated at a different temperature in order to achieve the perfect results. sensoFlow does this automatically, every time.

A wide world of coffee to experience.

Get more with Siemens bean-to-cup coffee machines and built-in model with Home Connect. The app gives access to exclusive coffee drinks and intuitive remote functions directly via a smartphone, smart watch, tablet or voice assistant.

Home Connect

With the Home Connect app, additional features and drinks are available. Select the coffee with coffeeWorld on a smart device, or ask a voice assistant to make it. Push notifications are sent from the machine, for example, when the beans are running low or when the machine needs cleaning.

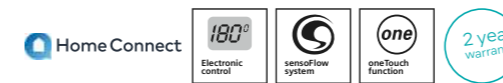
The coffeePlaylist allows creation of a list where each guest can personalise their own drink and remotely send the order to the machine so they are automatically prepared one after another.

Connected partners including Amazon Alexa, offer additional flexibility like making a drink using voice control whilst IFTTT allows the creation of bespoke applets connecting the coffee machine to other smart home appliances to create personalised routines.



iQ700 CT718L1B0

Built-in coffee centre
Black



Built-in coffee centre specifications

APPLIANCE TYPE	COFFEE CENTRE – BUILT-IN
Design family	iQ700
Model number	CT718L1B0
TFT Touchdisplay Pro	■
TFT Touchdisplay	–
KEY FEATURES	
Home Connect	■
Electronic control	■
sensoFlow System	■
AromaDoubleShot	■
Automatic steam blast milk cleaning function	■
oneTouch preparation	■
Ceramic coffee grinders	■
Multilevel grinding setting	■
Cup illumination	■
Height adjustable coffee & milk outlets (mm)	■
Integrated water filter	Optional
PROGRAMMES / FUNCTIONS	
Type of beverages	21
my Coffee - personalised beverage settings	1 or 2 cup
Milk foam	1 or 2 cup
Hot water	1 or 2 cup
Warm milk	1 or 2 cup
Ristretto	1 or 2 cup
Coffee	1 or 2 cup
Espresso	1 or 2 cup
Cappuccino	1 or 2 cup
Latte Macchiato	1 or 2 cup
Caffe latte	1 or 2 cup
Espresso Macchiato	1 or 2 cup
One touch function for milk drinks	■
Coffee / Hot water temperature options	3 / 4
Milk foam / frothing function	■ / ■
Warm Milk function	■
Cleaning / descaling / programmes	■ / ■
Automatic rinse when switched on/off	■ / ■
PERFORMANCE / TECHNICAL INFORMATION	
Installation in a tall housing	■
Side opening door (left hinged)	■
Bean container capacity (g)	500
Ground coffee container	■
Water tank capacity (litres)	2.4
Total connected loading (W)	1500
Nominal voltage (volts)	220-240
Fuse protection	10A
Cable length (in cm)	170
STANDARD ACCESSORIES	
Insulated Milk container capacity (litres)	0.5
Milk pipe	■

■ Yes, model has this feature. – Feature not available for this model.
Data valid in this table as of April 2024. Subject to modification without prior notice.

Award Winning Coffee Machine

The Coffee Machine on this page has been accredited with these prestigious design awards.

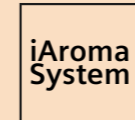




UnEQualled coffee shop experiences

Model shown: TQ907GB3 EQ900 S700 fully automatic espresso machine

The Siemens iAroma System



Experience the unique iAroma System available with Siemens fully automatic espresso machines: Innovative features work seamlessly together to guarantee the perfect taste and long-lasting product.



The long-lasting ceramic grinder creates the ideal ground coffee for perfect aroma.



The intelligent flow heater guarantees the perfect temperature every time.



The smart water pump – for the right water pressure every time.



The high-tech brewing unit creates great aroma thanks to its fine-tuned and precision controlled brewing operation.

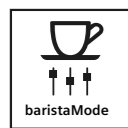
At home. In style

Delicious barista-style drinks at home with the Siemens EQ freestanding bean-to-cup coffee machines.

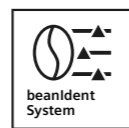
The world of cafe culture is at hand with the exciting range of EQ fully automatic bean-to-cup coffee machines designed for those that settle for nothing less than exceptional coffee.

With intelligent iAroma technology, 3 key innovations are combined together in a high quality brewing unit to deliver truly sensational tasting beverages. These intuitive appliances stand out on any premium kitchen surface with their stunning design, elegant display panels and optimal usability. From the entry-level compact EQ300 models to the fine-tuned connected EQ700 and EQ900 models.

Our top of the range machine: EQ900 S700



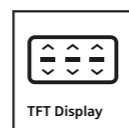
baristaMode: Individualise your coffee creation
There are five essential parameters of baristaMode that contribute to the quality of coffee and espresso: coffee strength, amount, temperature, coffee-to-milk ratio and brewing speed. The baristaMode allows for even finer, fully customised adjustments to please any coffee taste. Alternatively in comfortMode the machine makes these adjustments automatically leaving only the option to personalise strength and aroma.



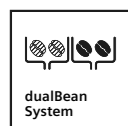
beanIdent System: Get the most out of every roast
Many factors influence the flavour profile of a coffee bean. The region where it is cultivated, with its specific climate and soil, as well as the type of roasting, all play a part. The beanIdent System optimally adjusts all brewing settings to ensure the full aromas are extracted. Simply enter the variety and roasting level and let the EQ900 work its magic.



oneTouch DoubleCup
For added convenience, two coffee-milk specialities can be poured at once. Most of the range has an integrated coffee and milk outlet with double spouts, for faster drink preparation.



TFT display
The large, clear and colourful TFT display and disc control make managing drink preferences simple and intuitive with the EQ900 S700 machine.



dualBean System: Separate bean containers for a pure taste
Two separate coffee bean containers, each with its own grinder, ensure that the beans never get mixed up and guarantee that the desired flavour will always be achieved.



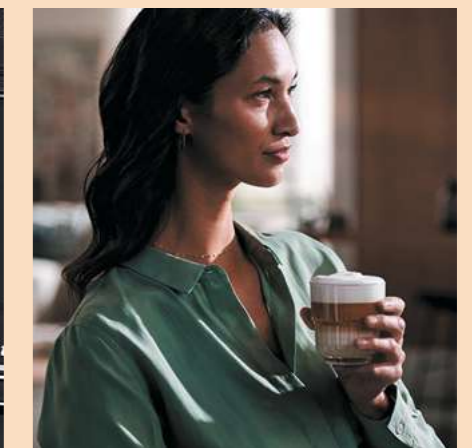
superSilent
Optimised soundproofing enables the most remarkable noise reduction.



Perfect pleasure at the touch of a button: oneTouch function.



For longer-lasting coffee indulgence: calc'nClean.



For busy mornings and tired evenings: Drinks on demand.



No matter the coffee speciality whether it is latte macchiato, creamy cappuccino or extra-strong espresso, thanks to the oneTouch Function this fully automatic coffee machine can serve up pure coffee indulgence at the touch of a button.



Maximise beverage quality, product lifetime and overall hygiene of the EQ coffee machine with the combined cleaning and descaling programme. Easy to use, calc'nClean provides a thorough clean and rinse, keeping the machine perfectly clean inside.

All our coffee machines have a minimum of 4 pre-set drinks available to select from the display. From the EQ300 models that have the option of Americano, Cappuccino, Espresso and Latte Macchiato all the way through to the top EQ700 model that offers all of these plus 7 more drink options. The Home Connect App allows access to an even wider, ever-growing range of beverage options with coffee world.

Freestanding coffee machines

TQ907GB3

EQ900 S700 Fully Automatic Espresso Machine
Stainless steel

Which? Best Buy
reddot winner 2023
Home Connect
iAroma System
oneTouch function
2 year warranty
QUIET MARK
beanIdent System
baristaMode
TFT Display
beanIdent System

Download and install Home Connect App
 Partners brought to you by Home Connect
Home Connect | **amazon alexa** | **Google Assistant** | **IFTTT**



Model shown: TQ907GB3 EQ900 S700 fully automatic espresso machine

Freestanding bean-to-cup coffee machine specifications



	EQ900 S700	EQ900 S500	EQ900 S300	EQ700 Int. Fully Automatic Espresso Machine	EQ700 Classic + Fully Automatic Espresso Machine
Model name	EQ900 S700	EQ900 S500	EQ900 S300	EQ700 Int. Fully Automatic Espresso Machine	EQ700 Classic + Fully Automatic Espresso Machine
Model number	TQ907GB3	TQ905GB3	TQ903GB9	TQ703GB7	TP705GB1
FEATURES					
Material / finish	Stainless steel front and body	Stainless steel front and body	Piano black front, stainless steel	Inox silver & black	Morning haze & black
SensoFlow Heater	■	■	■	■	■
Ceramic grinder	Ceramdrive	Ceramdrive	Ceramdrive	Ceramdrive	Ceramdrive
Milk solution	Integrated	Integrated	Integrated	Integrated	Milk Pipe
beanIdent System	■	■	■	■	■
Bean container capacity (g)	270g and 250g	375g	375g	350g	350g
Water tank capacity (litres)	2.3	2.3	2.3	2.4	2.4
One touch drinks	■	■	■	■	■
Removable brewing unit	■	■	■	■	■
Beverage choice	21	21	21	18	18
Display	TFT	TFT	TFT	iSelect Display	iSelect Display
Pump Pressure	19 bar	19 bar	19 bar	19 bar	19 bar
oneTouch DoubleCup	incl. milky drinks	incl. milky drinks	incl. milky drinks	incl. milky drinks	incl. milky drinks
Strength settings	Barista Mode	Barista Mode	Barista Mode	4	4
Temperature settings	Barista Mode	Barista Mode	Barista Mode	0	0
Cup size settings	Barista Mode	Barista Mode	Barista Mode	4	4
Coffee-milk ratio adjusts	■	■	■	■	■
Noise level	Super silent	Super silent	Super silent	Quiet	Quiet
Number of bean grinders	2	1	1	1	1
Connectivity	Home Connect	Home Connect	Home Connect	Home Connect	Home Connect
User Profiles	10	10	3	10	10
Cup warmer	■	■	■	■	■
Bean lid rubber seal	■	■	■	■	■
Brewing unit type	Spindle	Spindle	Spindle	Spindle	Spindle
Service door access	Side	Side	Side	Side	Side
Barista mode	■	■	■	Aroma Select	Aroma Select
Cup illumination	■	■	■	■	■

■ Yes, model has this feature. – Feature not available for this model.

Data valid in this table as of April 2024. Subject to modification without prior notice.

Freestanding bean-to-cup coffee machine specifications



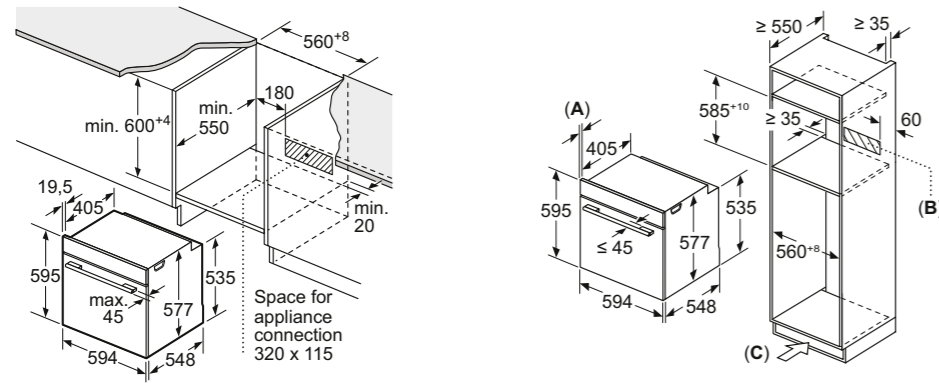
	EQ500+ Home Connect Fully Automatic Espresso Machine	EQ500 Fully Automatic Espresso Machine	EQ300+ Fully Automatic Espresso Machine	EQ300 Fully Automatic Espresso Machine
Model name	EQ500+ Home Connect Fully Automatic Espresso Machine	EQ500 Fully Automatic Espresso Machine	EQ300+ Fully Automatic Espresso Machine	EQ300 Fully Automatic Espresso Machine
Model number	TQ518GB3	TQ513GB1	TF303G07	TF301G19
FEATURES				
Material / finish	Black steel front	Silver lacquer front	Lacquer front	Piano black
SensoFlow Heater	■	■	■	■
Ceramic grinder	Ceramdrive	Ceramdrive	1 x ceramic	1 x ceramic
Milk solution	Integrated	Integrated	Milkperfect	Milkperfect
beanIdent System	■	■	■	■
Bean container capacity (g)	270g	270g	250g	250g
Water tank capacity (litres)	1.7	1.7	1.4	1.4
One touch drinks	■	■	■	■
Removable brewing unit	■	■	■	■
Beverage choice	10	10	4 + Milk Foam	4 + Milk Foam
Display	TFT / touch	TFT / touch	Text & symbol	Text & symbol
Pump Pressure	15 bar	15 bar	15 bar	15 bar
oneTouch DoubleCup	■	Black only	Black only	■
Strength settings	5	5	5	3
Temperature settings	3	3	1	1
Cup size settings	5	5	–	–
Coffee-milk ratio adjusts	–	–	–	–
Noise level	Quiet	Quiet	Standard	Standard
Number of bean grinders	1	1	1	1
Connectivity	–	–	–	–
User Profiles	–	–	–	–
Cup warmer	■	■	■	■
Bean lid rubber seal	■	■	■	■
Brewing unit type	Spindle	Spindle	Spindle	Spindle
Service door access	Front	Front	Front	Front
Barista mode	–	–	–	–
Cup illumination	–	–	–	–

■ Yes, model has this feature. – Feature not available for this model.

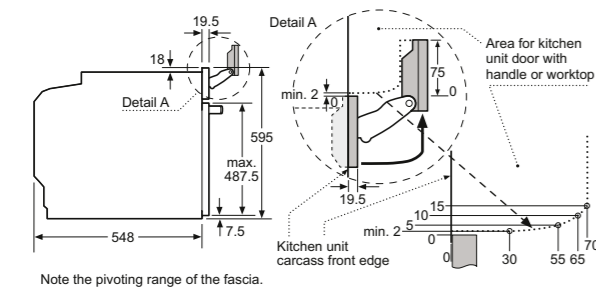
Data valid in this table as of April 2024. Subject to modification without prior notice.

Oven technical diagrams

studioLine single oven HN978GQB1B



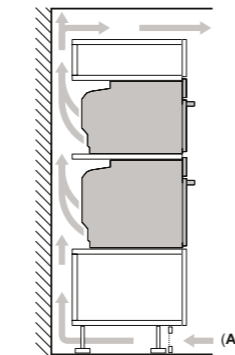
- A: 19.5 mm
- B: Space for appliance connection 320 x 115 mm
- C: Ventilation space in the base $\geq 200 \text{ cm}^2$



If the appliance will be installed underneath a hob, the following worktop thicknesses (including substructure if necessary) must be taken into account.

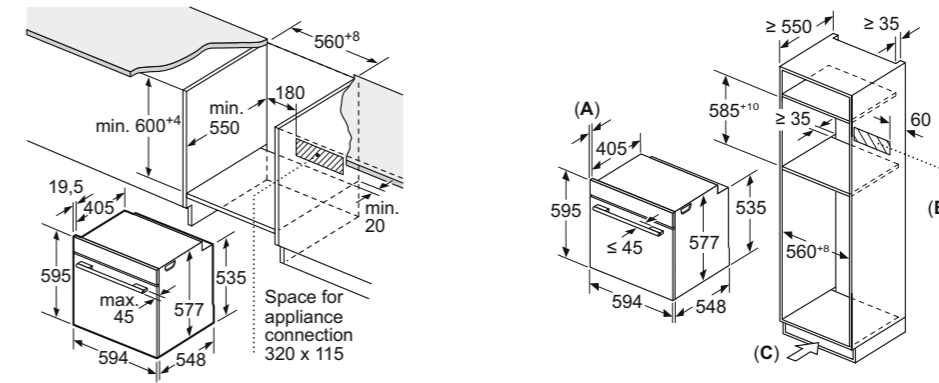
Hob type	min. worktop thickness	
	fitted	flush
Induction hob	37 mm	38 mm
Full surface Induction hob	47 mm	48 mm
Gas hob	30 mm	38 mm
Electric hob	27 mm	30 mm

Installing two appliances on top of each other
Air exchange

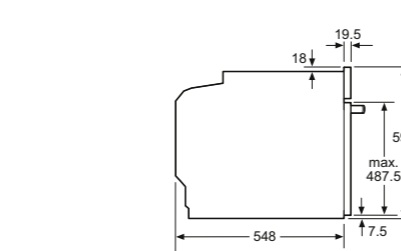


A: Air inlet $\geq 200 \text{ cm}^2$

studioLine single oven HM976GMB1B



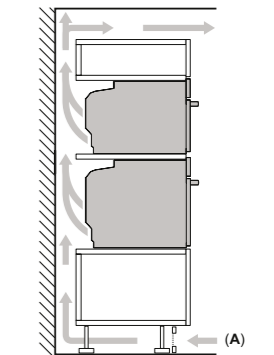
- A: 19.5 mm
- B: Space for appliance connection 320 x 115 mm
- C: Ventilation space in the base $\geq 200 \text{ cm}^2$



If the appliance will be installed underneath a hob, the following worktop thicknesses (including substructure if necessary) must be taken into account.

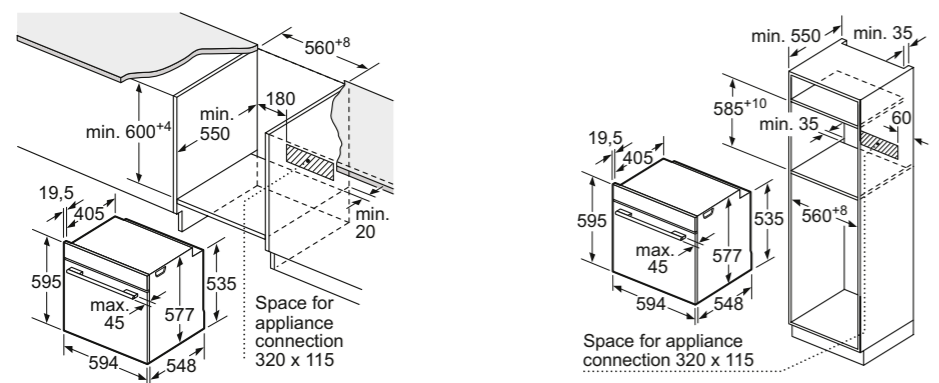
Hob type	min. worktop thickness	
	fitted	flush
Induction hob	37 mm	38 mm
Full surface Induction hob	47 mm	48 mm
Gas hob	30 mm	38 mm
Electric hob	27 mm	30 mm

Installing two appliances on top of each other
Air exchange

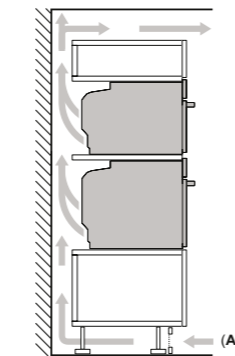


A: Air inlet $\geq 200 \text{ cm}^2$

studioLine single ovens HB978GNB1B, HB976GMB1B and HB974GLB1B

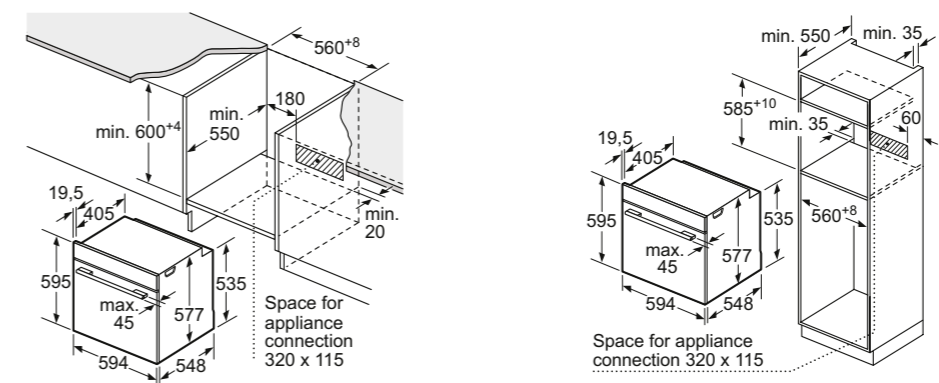


Installing two appliances on top of each other
Air exchange

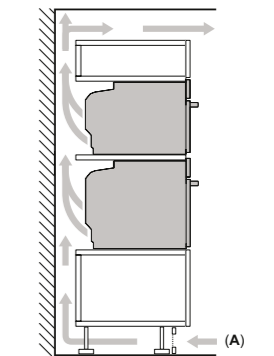


A: Air inlet $\geq 200 \text{ cm}^2$

studioLine single ovens HR976GMB1B, HS956GCB1B and HS958KDB1



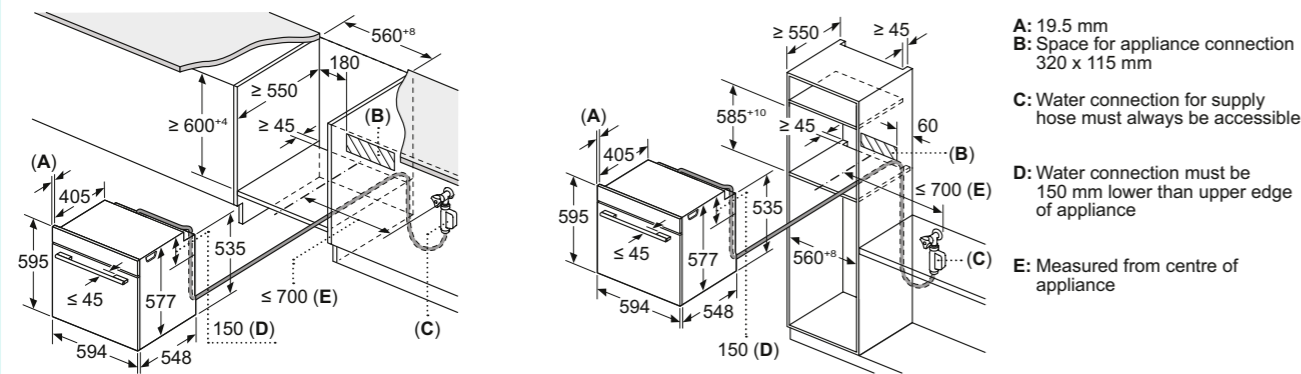
Installing two appliances on top of each other
Air exchange



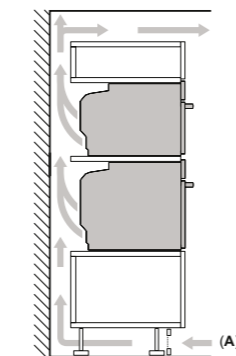
A: Air inlet $\geq 200 \text{ cm}^2$

Oven technical diagrams

studioLine single oven HS958GED1B



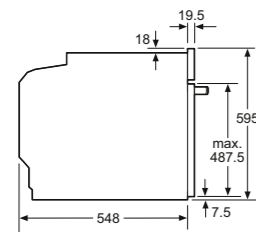
Installing two appliances on top of each other
Air exchange



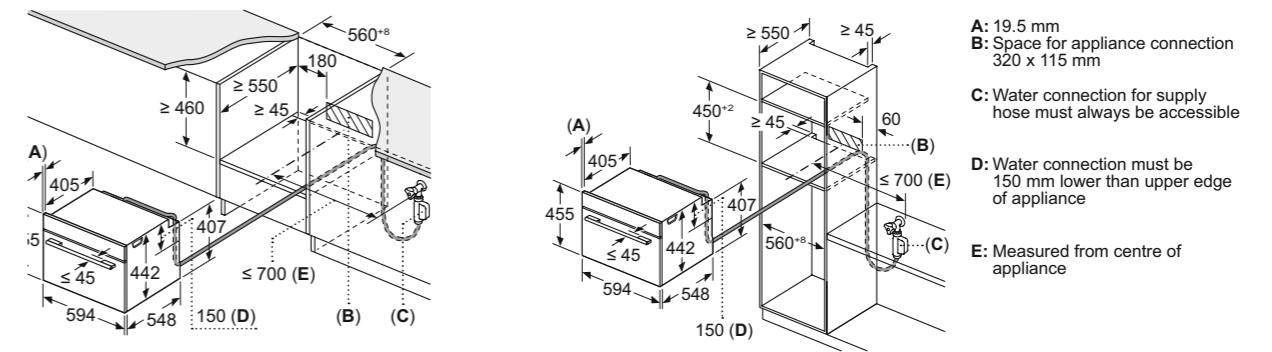
A: Air inlet $\geq 200 \text{ cm}^2$

If the appliance will be installed underneath a hob, the following worktop thicknesses (including substructure if necessary) must be taken into account.

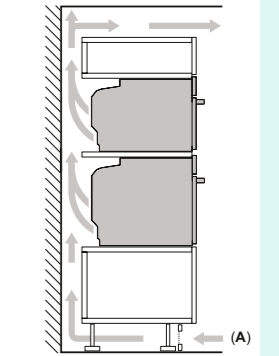
Hob type	min. worktop thickness	
	fitted	flush
Induction hob	37 mm	38 mm
Full surface Induction hob	47 mm	48 mm
Gas hob	30 mm	38 mm
Electric hob	27 mm	30 mm



studioLine compact oven CS958GDD1



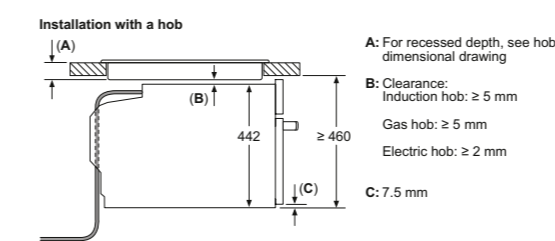
Installing two appliances on top of each other
Air exchange



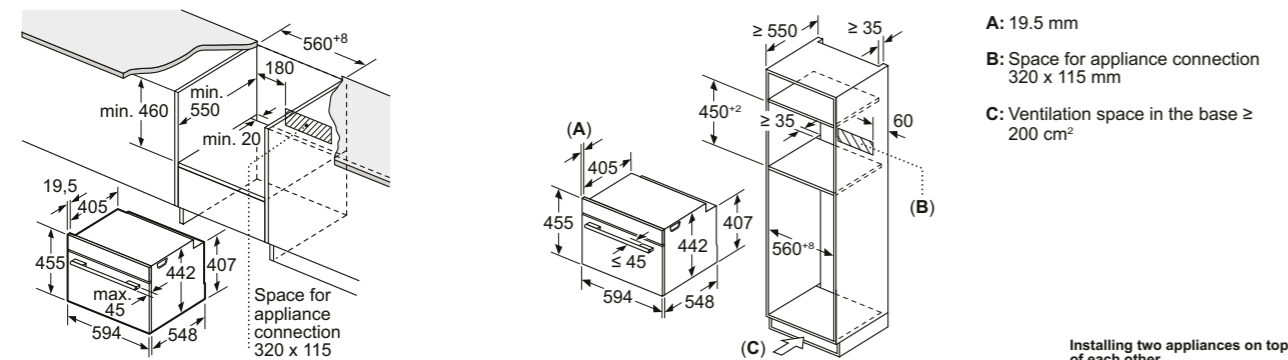
A: Air inlet $\geq 200 \text{ cm}^2$

If the appliance will be installed underneath a hob, the following worktop thicknesses (including substructure if necessary) must be taken into account.

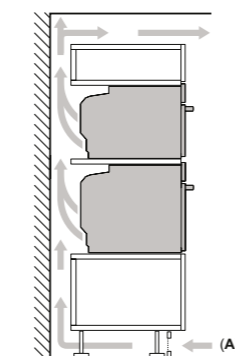
Hob type	min. worktop thickness	
	fitted	flush
Induction hob	37 mm	38 mm
Full surface Induction hob	47 mm	48 mm
Gas hob	30 mm	38 mm
Electric hob	27 mm	30 mm



studioLine compact oven CM978GNB1B, CM976GMB1B and CM924G1B1B



Installing two appliances on top of each other
Air exchange

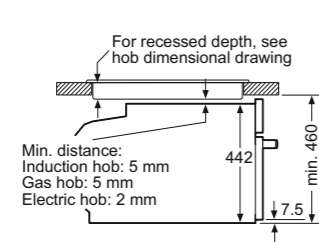


A: Air inlet $\geq 200 \text{ cm}^2$

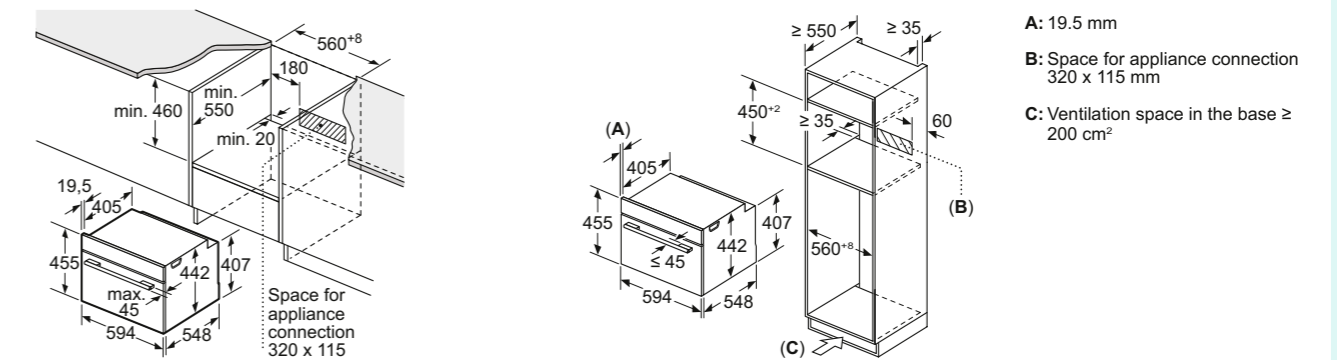
If the appliance will be installed underneath a hob, the following worktop thicknesses (including substructure if necessary) must be taken into account.

Hob type	min. worktop thickness	
	fitted	flush
Induction hob	37 mm	38 mm
Full surface Induction hob	47 mm	48 mm
Gas hob	30 mm	38 mm
Electric hob	27 mm	30 mm

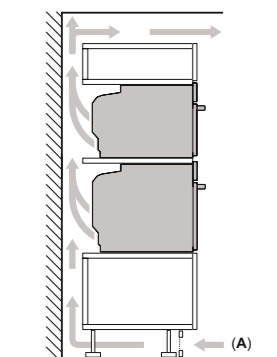
Installation with a hob.



studioLine compact oven CS956GCB1



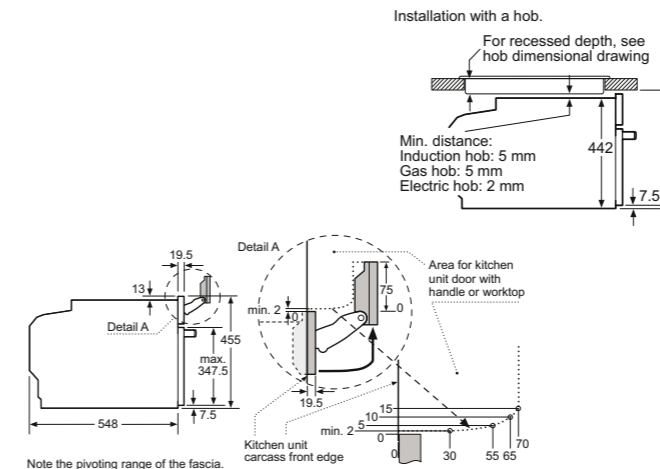
Installing two appliances on top of each other
Air exchange



A: Air inlet $\geq 200 \text{ cm}^2$

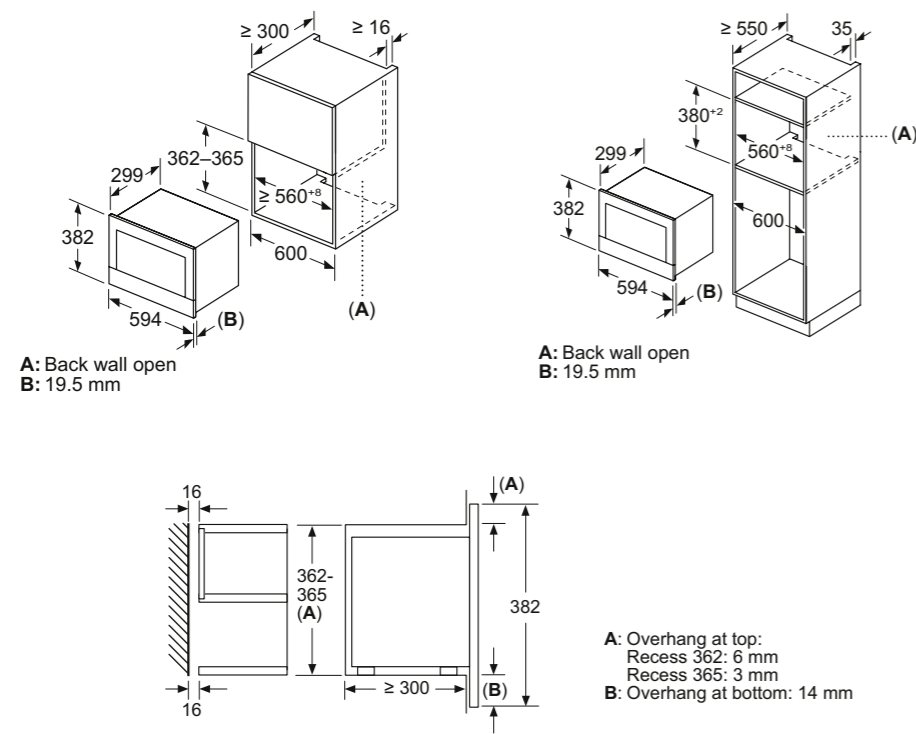
If the appliance will be installed underneath a hob, the following worktop thicknesses (including substructure if necessary) must be taken into account.

Hob type	min. worktop thickness	
	fitted	flush
Induction hob	37 mm	38 mm
Full surface Induction hob	47 mm	48 mm
Gas hob	30 mm	38 mm
Electric hob	27 mm	30 mm



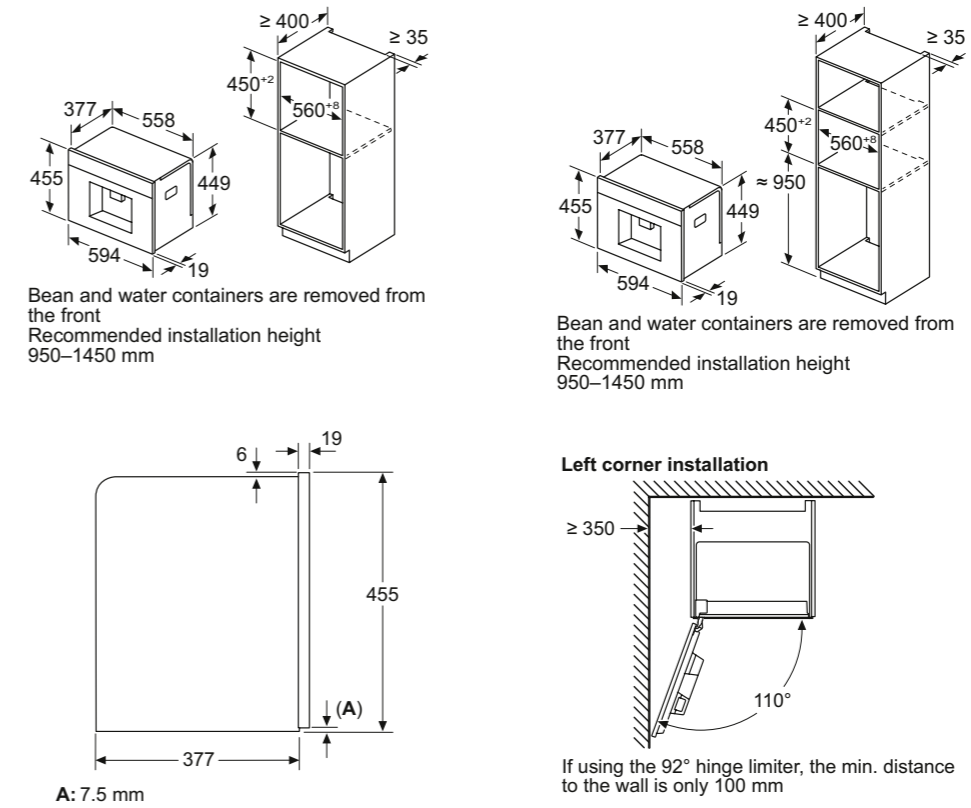
Microwave oven technical diagrams

studioLine compact microwaves BF922R1B1B and BF922L1B1B



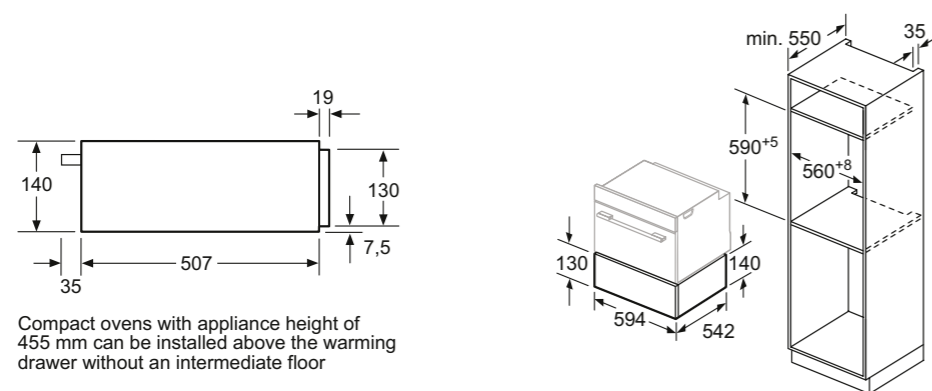
Coffee centre technical diagrams

studioLine coffee centre CT918L1D0



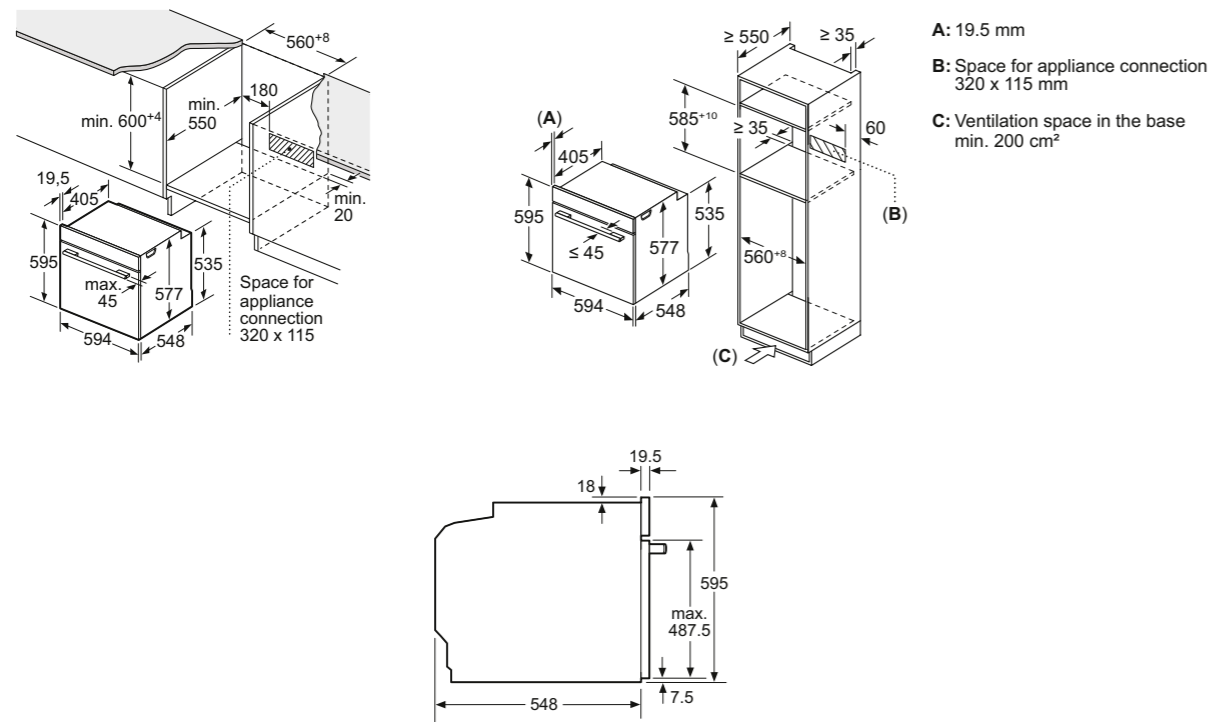
Drawer technical diagrams

studioLine vacuum drawer BV910E1B1

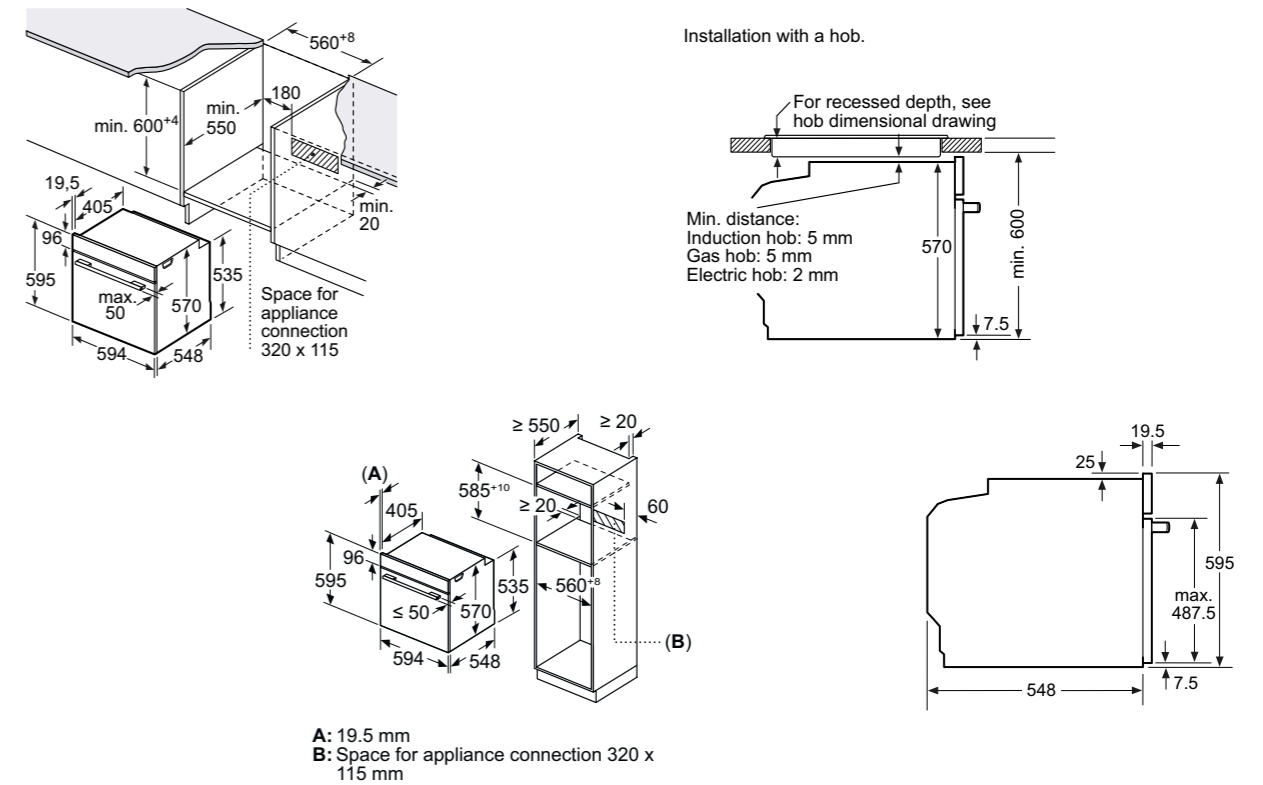


Oven technical diagrams

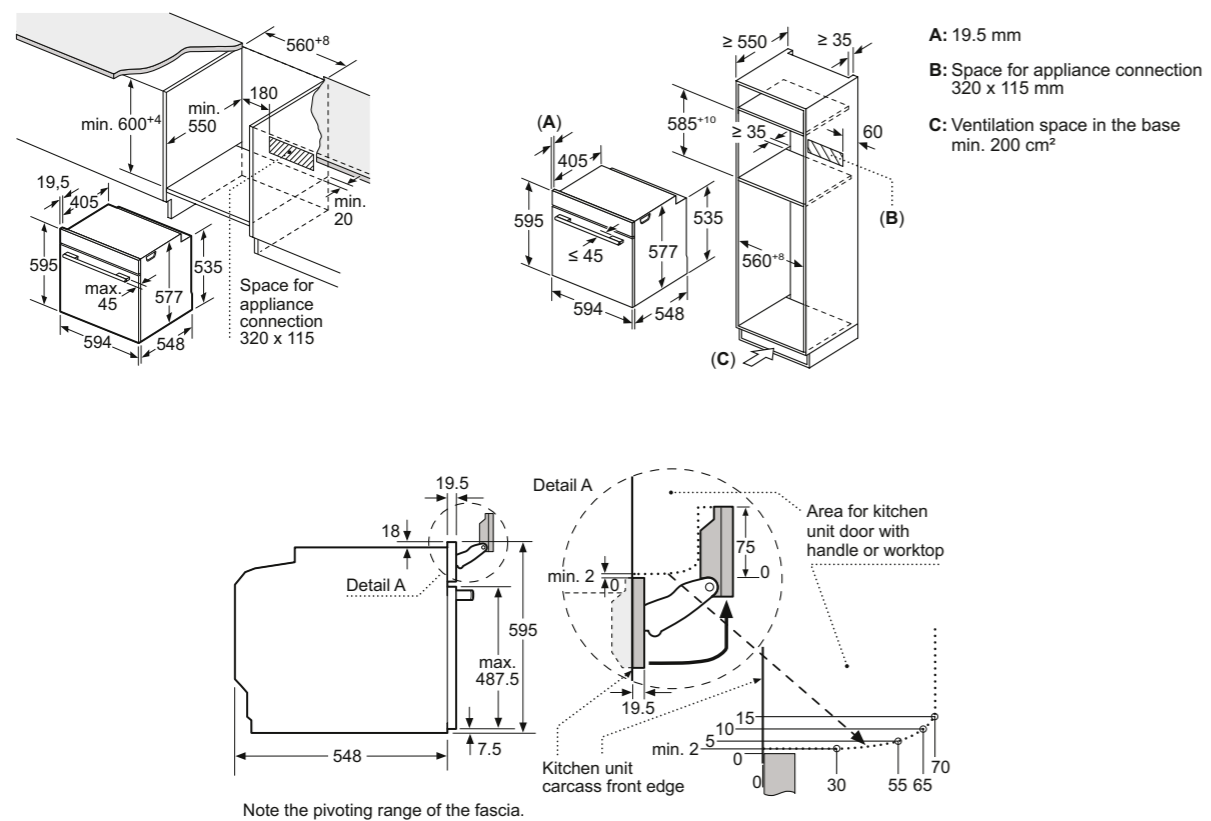
Single ovens HM778GMB1B, HB778G3B1B, HM776G1B1B, HB776G1B1B, HB736G1B1B, HB772G1B1B and HB732G1B1B



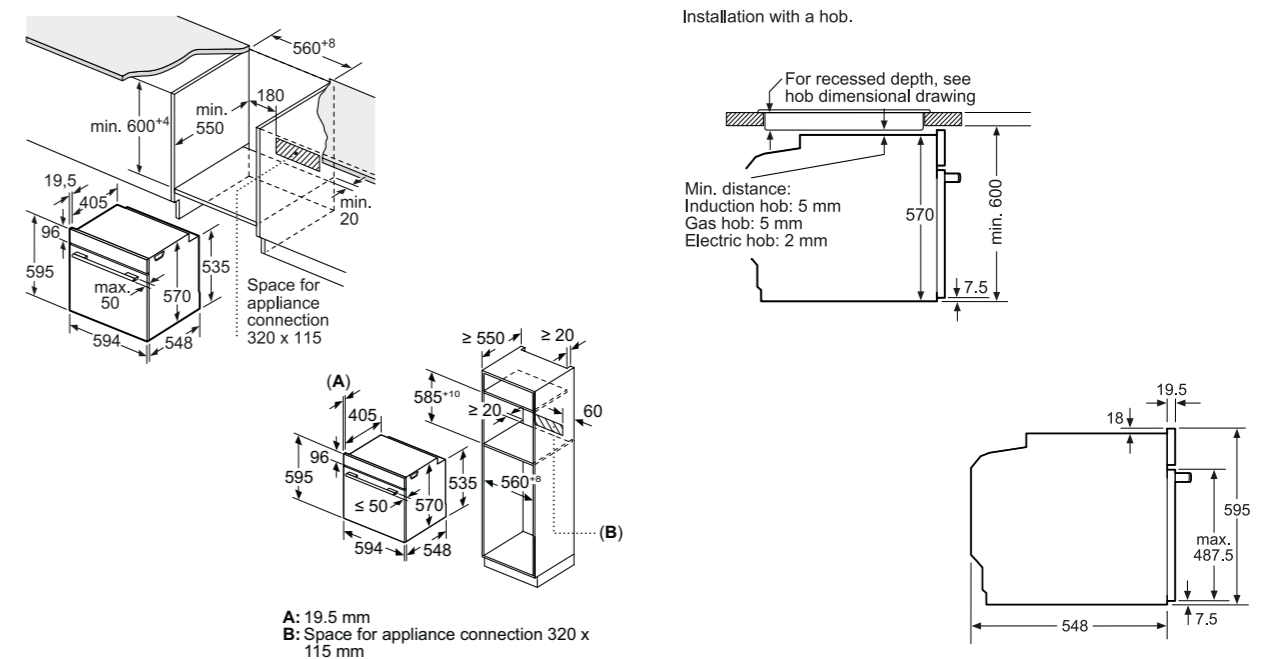
Single ovens HR578G5S6B and HB578G5S6B



Single ovens HS758G3B1B, HR776G1B1B and HS736G1B1B

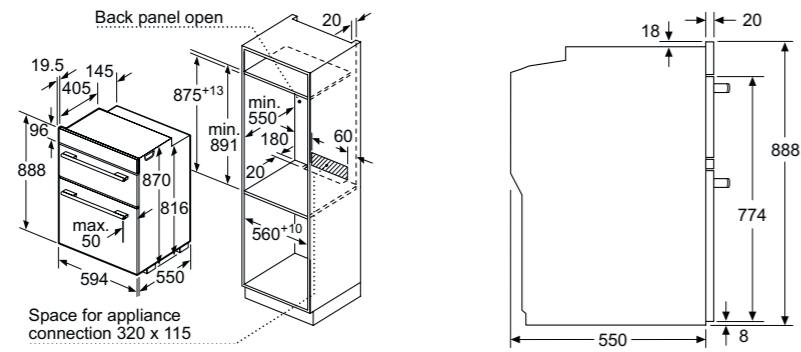


Single ovens HB578A0S6B and HB535A0S0B

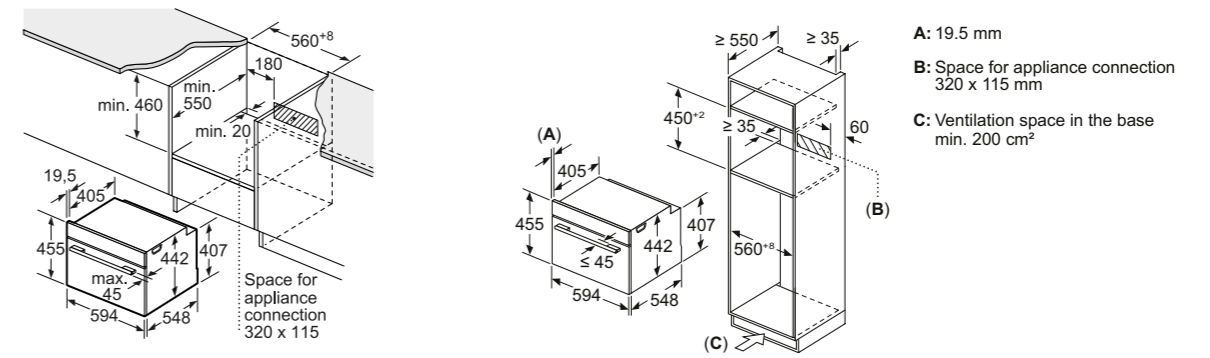


Oven technical diagrams

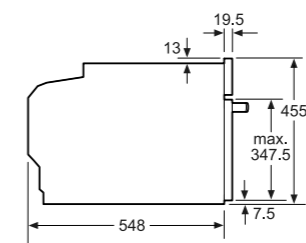
Double ovens MB578G5S6B, MB557G5S0B and MB535A0S0B



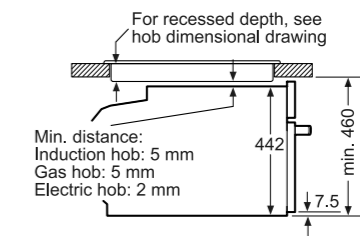
Compact ovens CM778GNB1B, CM776G1B1B, CM736G1B1B and CM724G1B1B



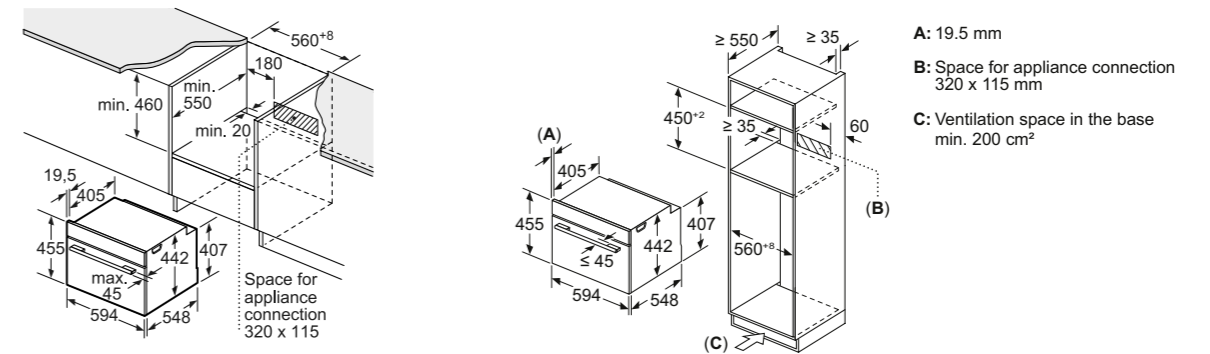
- A: 19.5 mm
- B: Space for appliance connection 320 x 115 mm
- C: Ventilation space in the base min. 200 cm²



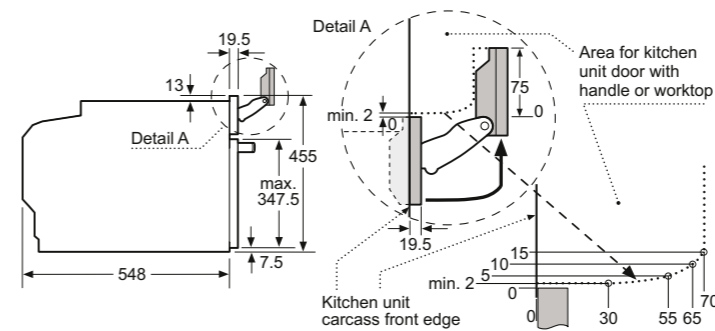
Installation with a hob.



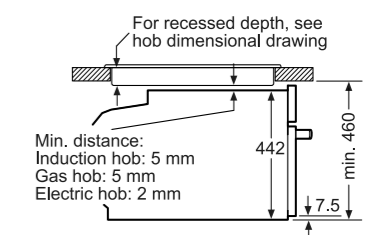
Compact oven CS736G1B1



- A: 19.5 mm
- B: Space for appliance connection 320 x 115 mm
- C: Ventilation space in the base min. 200 cm²

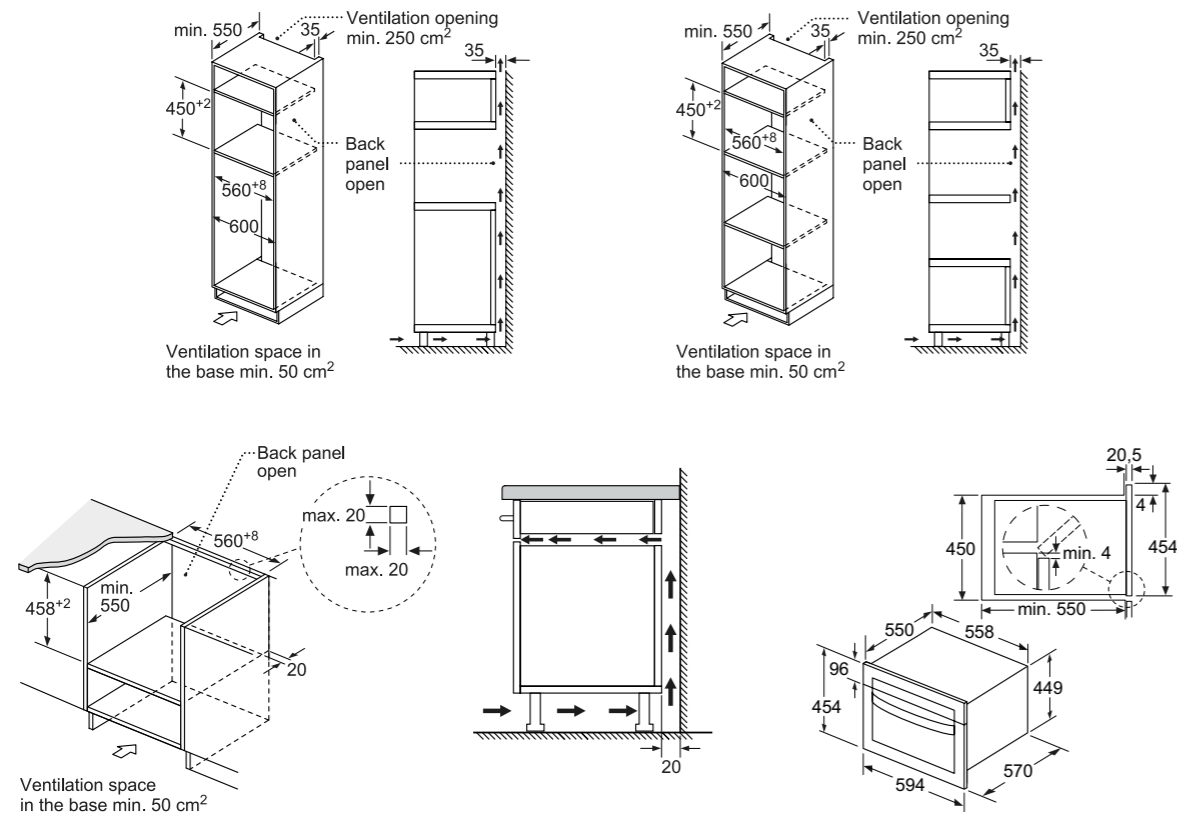


Installation with a hob.

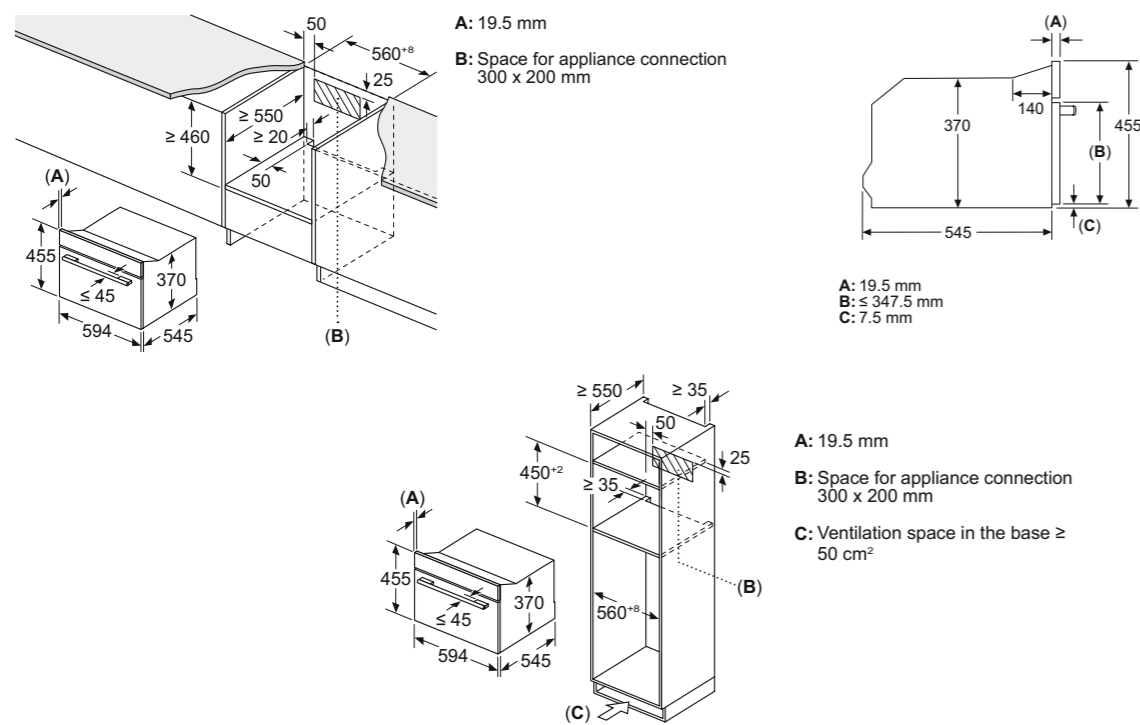


Oven technical diagrams

Compact microwave combination CM585AGS0B

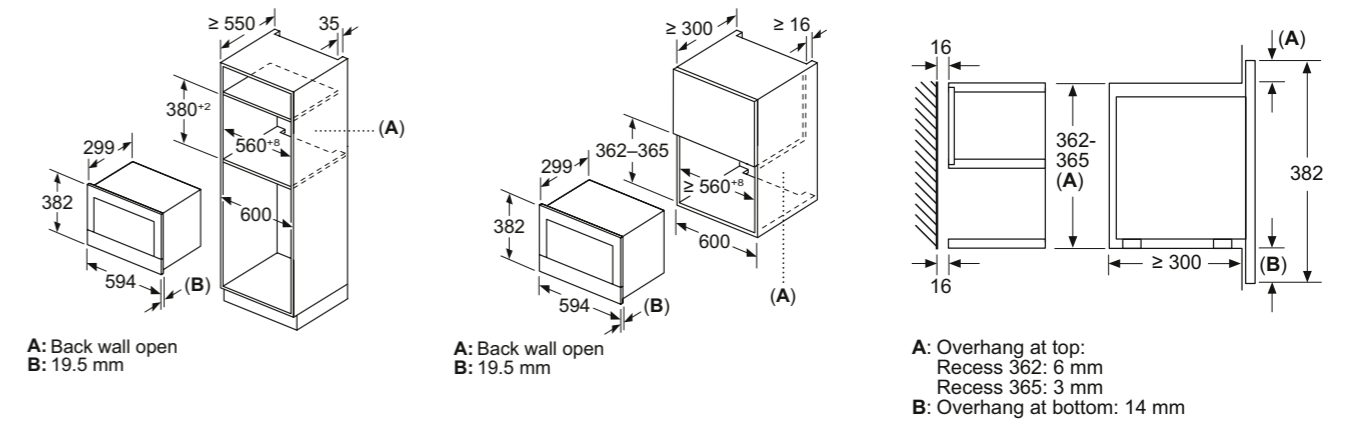


Compact microwave oven CE732GXB1B

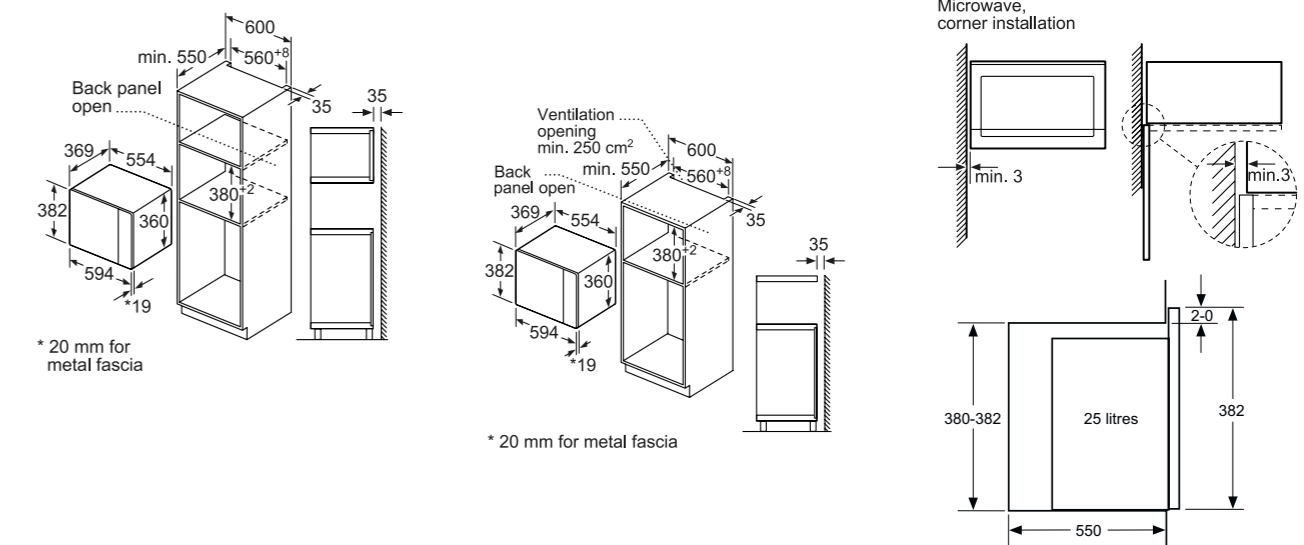


Microwave oven technical diagrams

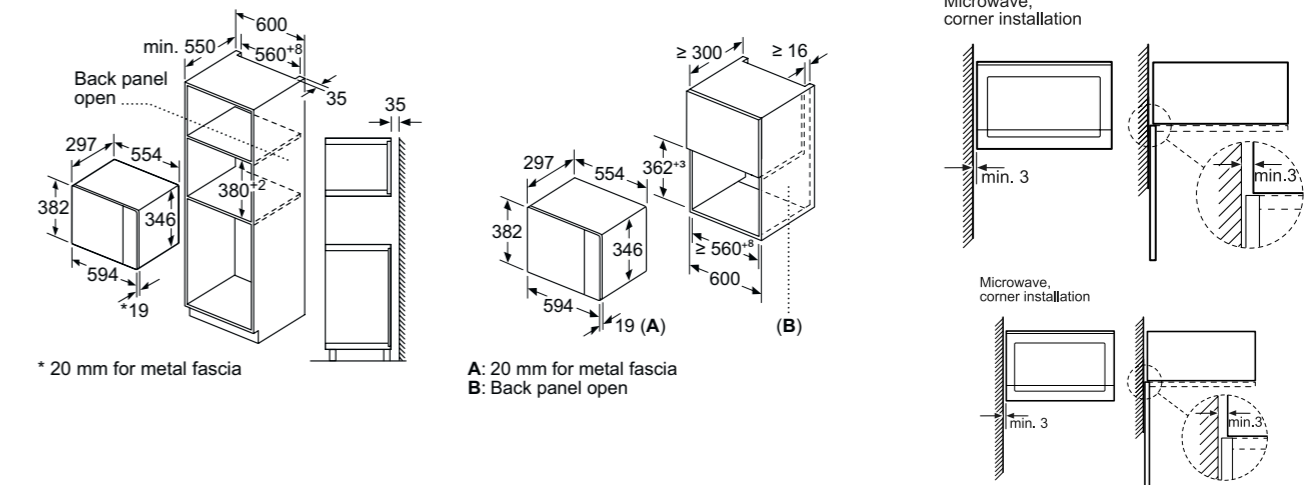
Microwave BF722L1B1B



Microwave BF555LMS0B

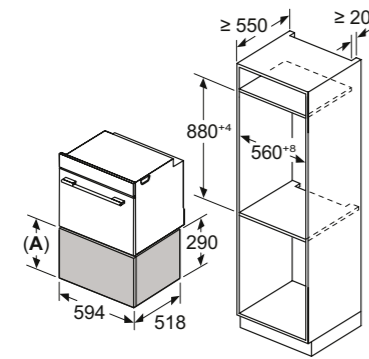


Microwave BF525LMS0B

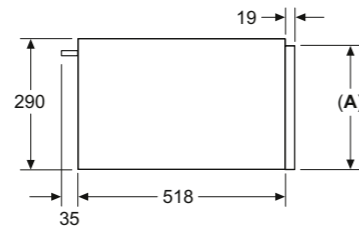


Warming drawer technical diagrams

Warming drawer BI710D1B1B

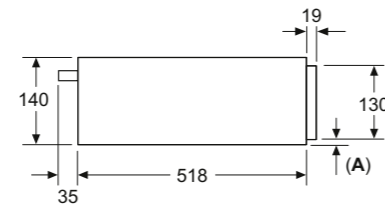
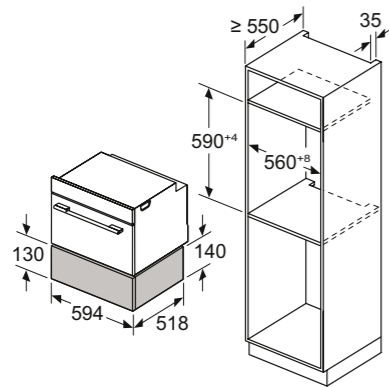


A: 287.5 mm



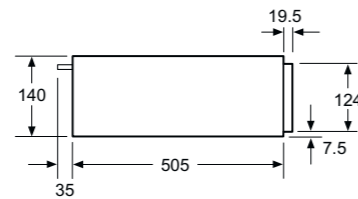
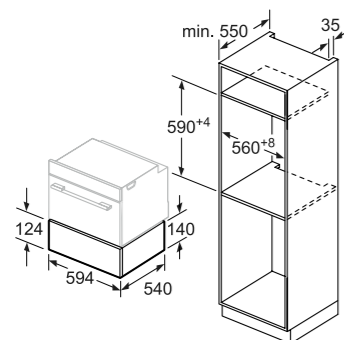
A: 287.5 mm
Ovens with appliance height of 595 mm can be installed above the warming drawer without an intermediate floor

Warming drawers BI710C1B1B and BI710E1B1



A: 7.5 mm
Compact ovens with appliance height of 455 mm can be installed above the warming drawer without an intermediate floor

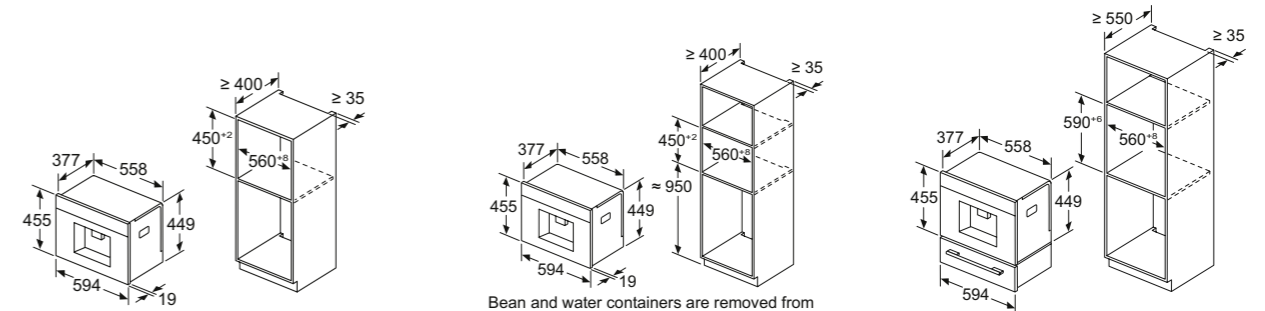
Warming drawer BI510CNROB



Compact ovens with an appliance height of 455 mm can be installed above a warming drawer. An intermediate floor is not required.

Coffee centre technical diagrams

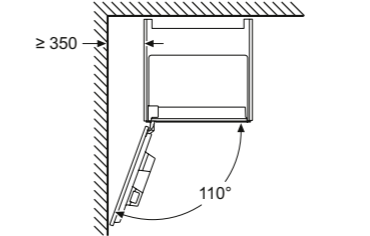
Coffee centre CT718L1B0



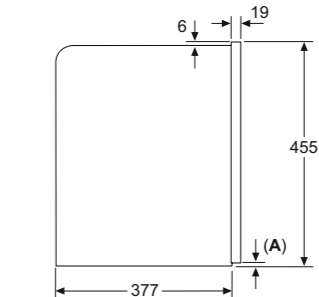
Bean and water containers are removed from the front
Recommended installation height 950-1450 mm

Bean and water containers are removed from the front
Recommended installation height 950-1450 mm

Left corner installation



If using the 92° hinge limiter, the min. distance to the wall is only 100 mm



A: 7.5 mm

Induction, ceramic and gas hobs. Designed to impress

The Siemens hob range combines stunning design with innovative technology and ergonomic design.

The advanced technology available on the Siemens hobs ensures the cooking experience is as enjoyable as possible, while time-saving features help prepare dishes quickly and effortlessly. With a wide range of styles, sizes and cooking types to suit any needs and kitchen design.



Model shown: ED811BS16E
80cm inductionAir Plus hob

Siemens
HOB

Siemens hob warranties:



studioLine 5 year warranty

A five year warranty is available on all Siemens studioLine hobs listed in this brochure to protect against manufacturing and material faults during this warranty period.



2 year warranty

A two year warranty is available on all Siemens hobs listed in this brochure to protect against manufacturing and material faults during this warranty period.

To find out more about warranty and for registration, please visit:
siemens-home.bsh-group.com/uk/customer-service/siemens-warranties

studioLine

Raising the stakes

The studioLine hob range is designed with the ambitious home chef in mind.

With its cutting-edge technology, the studioLine hob range gives unparalleled control, flexibility and precision over cooking. Beyond innovation, its sleek, modern look is designed to fit seamlessly into any kitchen, adding a touch of elegance and sophistication. Featuring 90cm, 80cm and 60cm induction hobs variants and 80cm vented hobs, there is an option to fit all requirements. The hob user interface supports the intelligent technology inside with the studioLine exclusive iconic blue light. Matching perfectly the rest of the studioLine appliance range.



Model shown: EX877NX68E inductionAir Plus hob



Model shown: EZ977KZY1E freelInduction hob

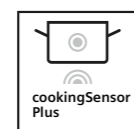
Experience the freedom of cooking: freelInduction and flexInduction.

The Siemens freelInduction hob offers all the benefits of induction cooking and more. The innovative full surface induction hob allows you to experience a new level of versatility, with total flexibility in size, shape and position of cookware.

With flexInduction, the flexible cooking zone automatically extends to accommodate extra-large cookware (up to 24cm) in diameter. If one zone is not big enough for your cookware, your hob takes control and activates more inductors for even heating. It is also an excellent option for using the Teppan Yaki accessory or griddle plates up to 40cm long.



Model shown: EX977KXX5E flexInduction hob



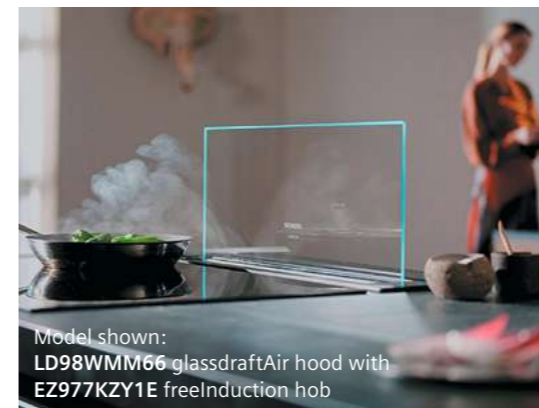
cookingSensor Plus ready

Available on selected hobs, the cookingSensor Plus is an intelligent system which precisely measures and keeps the chosen temperature to avoid overboiling of water or milk. The cooktop communicates wirelessly via Bluetooth with the cookingSensor Plus which is attached to the pot, preventing any spilling accidents.



studioLine 5 year warranty

A five year warranty is available on all Siemens studioLine hob appliances listed in this brochure to protect against manufacturing and material faults during this warranty period.



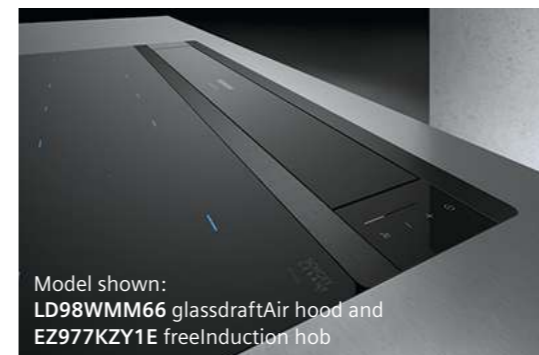
Model shown: LD98WMM66 glassdraftAir hood with EZ977KZY1E freelInduction hob

The best of both worlds: inductionAir Plus.

Combining induction technology with powerful extraction, the inductionAir Plus vented hob gives design flexibility for the kitchen, with the added benefit of hasslefree cleaning.

Featuring Siemens state of the art flexInduction technology, studioLine hob sensors under the glass ceramic automatically detect the shape and size of pots and pans and immediately combine or split the cooking zones accordingly. They will also adjust the settings instantly if the cookware is moved.

The blue dual light Slider provides both a statement piece and intuitive control by touch and slide. When activated, the control panel is a visual highlight – when deactivated, it is completely invisible.



Model shown: LD98WMM66 glassdraftAir hood and EZ977KZY1E freelInduction hob

Perfect match: glassdraftAir.

The glassdraftAir is designed to fit perfectly to the design of our Siemens hobs. When installed side by side, the transition between the two appliances is practically seamless with the following hobs:

- EZ977KZY1E Seamless installation with LD98WMM66 with kit LZ29WWY12
- EX977KXX5E Seamless installation with LD98WMM66 with kit LZ29WWY12
- EX977NXV6E Seamless installation with LD98WMM66 with kit LZ29WWY12
- EX878LYV5E Seamless installation with LD98WMM66B with kit LZ28WWY12
- EX877NYV6E Seamless installation with LD98WMM66B with kit LZ28WWY12

Hobs cooking types at a glance

With intelligent technology, elegant design aesthetic and practical yet impressive functionality, Siemens hobs bring excitement and ease when creating dishes.

Ceramic cooking



quickLite hobs

The surface of a glass ceramic hob heats up quickly and conveniently, while also being easy to clean due to the smooth and even surface. The cooking zones glow red when they are on and the temperature can be adjusted precisely, with up to 17 power levels. Siemens highSpeed cooking zones are also optimised for fast cooking and heat up almost instantly.

Model shown: **ET81RBHA1D** (page 134)

Gas cooking

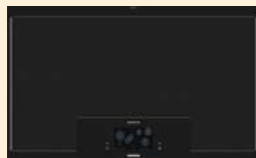


Gas hobs

Tradition meets innovation – with their modern functions, Siemens gas hobs provide enjoyment in cooking like a pro. Low profile, single piece burners on the glass complete the sleek appearance.

Model shown: **ER9A6SB70** (page 138)

Induction cooking



freeInduction hob

The freeInduction technology enables cooking without limits. Up to 6 pots and pans of any shape and size can be placed simultaneously on the hob surface. The flexible induction zone immediately recognises the number, size and shape of the pans and automatically adjusts the cooking zone.

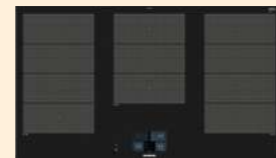
Model shown: **EZ977KZY1E** (page 119)



inductionAir Plus venting hobs

The inductionAir Plus venting hobs provide the freedom to design the kitchen flexibly, with the added benefit of hassle-free cleaning. The innovative design means that the grease filters fit into an entirely detachable liquid tray unit which is designed to completely protect against spillages and over-boiled liquids.

Model shown: **ED851HQ26E** (page 114)



flexInduction hobs

Siemens flexInduction hobs are a must for diverse cooking. The cooking area can be tailored to the user's cooking needs: from using as a traditional induction hob with four or five separate zones – for boiling rice, for example - to linking the zones together to form one zone for larger cooking pans.

With flexInduction Plus, the hob automatically knows how large the cookware is. This provides even heat with the use of an additional central zone if the hob detects that the pan is too large.

Model shown: **EX975KXW1E** (page 126)



Induction hobs

Induction cooking is recognised as being one of the quickest, safest and most efficient methods of cooking available. When a pan with a ferrous or magnetic metal base is placed on the hob, the coil situated below the ceramic surface uses an electromagnetic field to create heat, almost instantly heating the pan. With only the base of the pan heated the cooking zone stays cooler.

Model shown: **ED851HWP1E** (page 129)

Domino cooking



Domino hobs

Domino hobs can be installed alone or side by side with other types of compatible hobs. Domino cooking gives you more cooking options, for example the 40cm wide Teppan Yaki is ideal for combining with other Domino or faceted design cooktops to create a bespoke cooking area.

Models shown: **EX375FXB1E**, **ER3A6AB70**, and **ER3A6BB70** (pages 142-143)

The perfect hob for any kitchen design

A perfect finish suitable for any modern kitchen.

Siemens aim to provide a wide selection of quality hob choices to ensure there is enough variety and colour-ways to choose from to match any kitchen style.



Black glass



Black ceramic glass



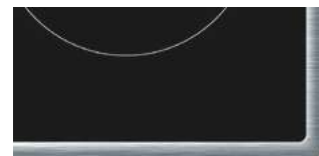
Black tempered glass



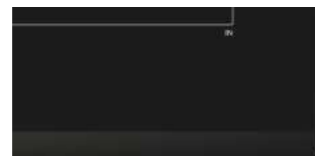
Stainless steel

Perfectly framed.

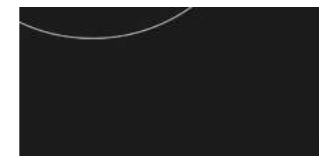
Siemens offers a variety of finishes to the hob frame to allow the user to create a specific look or even match the hob to other Siemens products; from stand out premium steel trims to sleek flushline trims that fit neatly in line with the worktop surface.



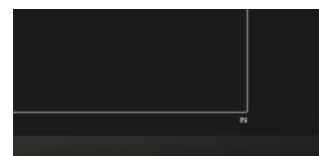
Premium steel trim



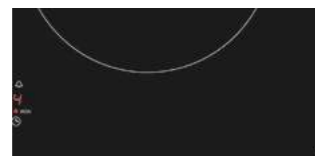
Three sided bevel edge



Flush fit



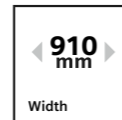
Front bevel



Frameless



The perfect width.



Our hob range is available in a range of widths to suit specific kitchen design and needs. Our choice of induction hobs come in 60, 80 and 90cm options, gas is available in 60, 75 and 90cm options and venting hobs come in 60, 70 and 80cm options.

Fingers on the pulse of innovation.



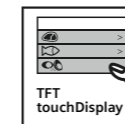
TFT touchDisplay



Dual lightSlider

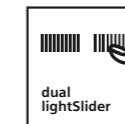


TFT Control **SIEMENS**



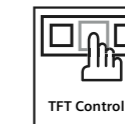
TFT touchDisplay

The innovative TFT touchDisplay allows the user to get the most out of the Siemens induction hob. The full colour touch screen is intuitive and easy to use with clear information about the hob's status at all times as well as additional settings that open up new possibilities. The settings for each individual cooking zones can be selected intuitively for easy control. The zones can even be combined when needed for added flexibility – for example, for different sizes of cookware and various accessories. The display screen gives access to a new world of recipes which can help cook the perfect dish in just a few simple steps, complete with images and clear text.



Dual lightSlider

The dual lightSlider offers easy operation and selection of the cooking zones of the iQ700 induction hobs via one neatly arranged interface that illuminates when the hob is turned on. The power level of the cooking zones can be simply adjusted by sliding a finger along the lit scale or selecting the desired power level directly with precise control. When the hob is switched off, the controls are completely invisible for a sleek finish to the kitchen. As there are no protruding parts, cleaning is made even easier.

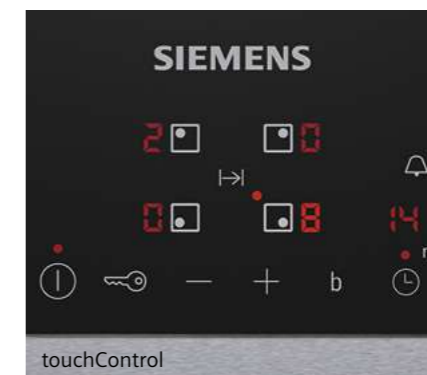


TFT Control

The TFT Control makes the access and operation of the hob functions easy and ensures good readability from any perspective.



touchSlider



touchControl



frontControl dials



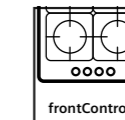
touchSlider

The ergonomic touchSlider sits flush to the appliance, the power level scale can be adjusted to the desired setting at the side of a finger, with control advances in half-levels from 1 to 9. Alternatively, the desired level can be selected directly for faster adjustments to the cooking zone temperature.



touchControl

Thanks to advanced touchControl technology, Siemens hobs can be operated by simply touching the surface. This means the controls are seamlessly integrated into the surface and make cleaning even easier.



frontControl

Gas hobs with frontControl feature all controls at the front of the appliance for ease of use.

Induction key features

Home Connect Hobs.
Designed to make life easier.



Model shown:
EX875KYW1E flexInduction hob with
HZ9FF040 flexInduction 4-piece pan set

The Home Connect app offers more by connecting together the Siemens intelligent kitchen and unlocking additional features and functions. It is also possible to use the services of different partners – turning the house into a connected home.

The Home Connect app can be used to turn the hob on, or change the cooking power level, while IFTTT can connect our connected hobs to a wider variety of partners including home lighting and music systems.

The status of our appliances can be checked from anywhere using the Home Connect app on a smartphone. No more leaving the house and having to go back and to check if the hob was turned off. Peace of mind is just a click away with Siemens smart hobs and the intuitive Home Connect app. Appliance settings, including on/off status, active cooking zones, child lock implementation and cooking time status can be monitored from anywhere.

A wide range of recipes are available via the app and the cooking and temperature settings can be sent directly from there straight to the hob, perfect for busy evenings. Additional seasonal recipes and extra cooking support can also be found through the App.



cookConnect system

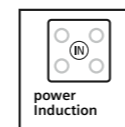
Many functions of the extractor hood can be automated using the Home Connect app. Once the cookConnect system has been set up, the hood will automatically adjust its extraction level depending on the power level of the hob. The hoods lighting can also be adjusted directly from the hob. Get more with Home Connect.

For more information see pages 164 and 165.



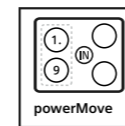
Discover more exciting possibilities for a seamless life with Siemens and Home Connect. For more information visit siemens-home.bsh-group.com/uk/homeconnect

Discover the powerful responsiveness of Siemens induction cooking.



powerInduction

Instantly hot. Instantly cooler. With Siemens powerInduction the heat is conducted directly to the pans and their contents via induction coils, without heating the hob. Heat-up times are short, safety is increased and the hob is much easier to clean.



powerMove

Enables intuitive control by splitting the hob into various zones with different set temperatures (low to high). Depending on the hob it has 2, 3 or 5 different zones.



fryingSensor Plus

Makes frying easier by automatically maintaining the ideal temperature to ensure the food is cooked just right. Once the preferred programme is selected depending on the type of food to be cooked, a signal will notify when to add oil to the pan and add the food – fryingSensor Plus then takes control. The sensor delivers full precision when frying by keeping the dish at the defined temperature level as soon as this has been reached.



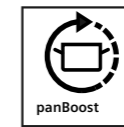
cookingSensor Plus

Once attached to the pot, the cookingSensor Plus interacts with the cooktop, giving a signal when a certain temperature has been reached and keeping it exactly at that level to prevent overboiling.



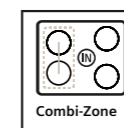
powerBoost

Increases power by up to 50%. This can save up to 35% of the time it takes to heat up pots or cook large quantities depending on the chosen dish.



panBoost

This feature heats cookware faster than when using heat setting 9. After 30 seconds, this function automatically switches itself off and reverts back to power level 9.



Combi-Zone

When using larger pots and pans, the Combi-Zone connects two induction zones together to ensure better heat coverage.



powerMove Plus



fryingSensor Plus



cookingSensor Plus

Please note: these features are on selected models. For information on model specification, please check pages 87-89.



Explore the science of inductionAir Plus cooking

Model shown:
ED851HQ15E
inductionAir Plus hob

Our best induction hob, evolved: inductionAir Plus



Model shown:
ED851HQ15E inductionAir Plus hob

The Siemens inductionAir Plus system combines cutting-edge induction technology, such as combi zones and powerMove Plus, with sleek, integrated ventilation. Favoured in open plan and compact kitchens, inductionAir Plus hobs give a sense of free-flowing space and light for a more social experience within the kitchen.

inductionAir Plus hob

The inductionAir Plus hob gives more design flexibility when planning a kitchen, with the added benefit of hassle-free cleaning. The innovative design means that the grease filters fit into an entirely detachable liquid tray unit which is made to completely protect against spillages and over-boiled liquids.

How does it work?

All parts of the inductionAir Plus hob are neatly arranged in a liquid tray unit, accessed from the top of the hob. Each part is dishwasher-proof, including the black glass air inlet grid, the 2-in-1 grease filter and the liquid tray. Each part is also separate to save space in the dishwasher.

Protects from spills

As a first layer of protection, the black glass air inlet grid is designed to limit the flow of liquids into the ventilation module. As a second layer of protection, the liquid tray captures up to 200ml from day-to-day cooking and can be easily discarded. In addition, up to 700ml of additional liquid can be held in the liquid safety tank accessed from beneath the appliance, and safe-guarding it from damage.



The perfect fit.

Size flexibility

The inductionAir Plus hob comes in 3 variants of size: 60cm, 70cm and 80cm. This means that, whatever space is available, there is an inductionAir Plus hob that will fit in perfectly.

Installation options

There are 4 different ways to install the inductionAir Plus hob, giving you plenty of options as to how and where to install it.

See page 146 for an outline of installation options and accessory requirements.

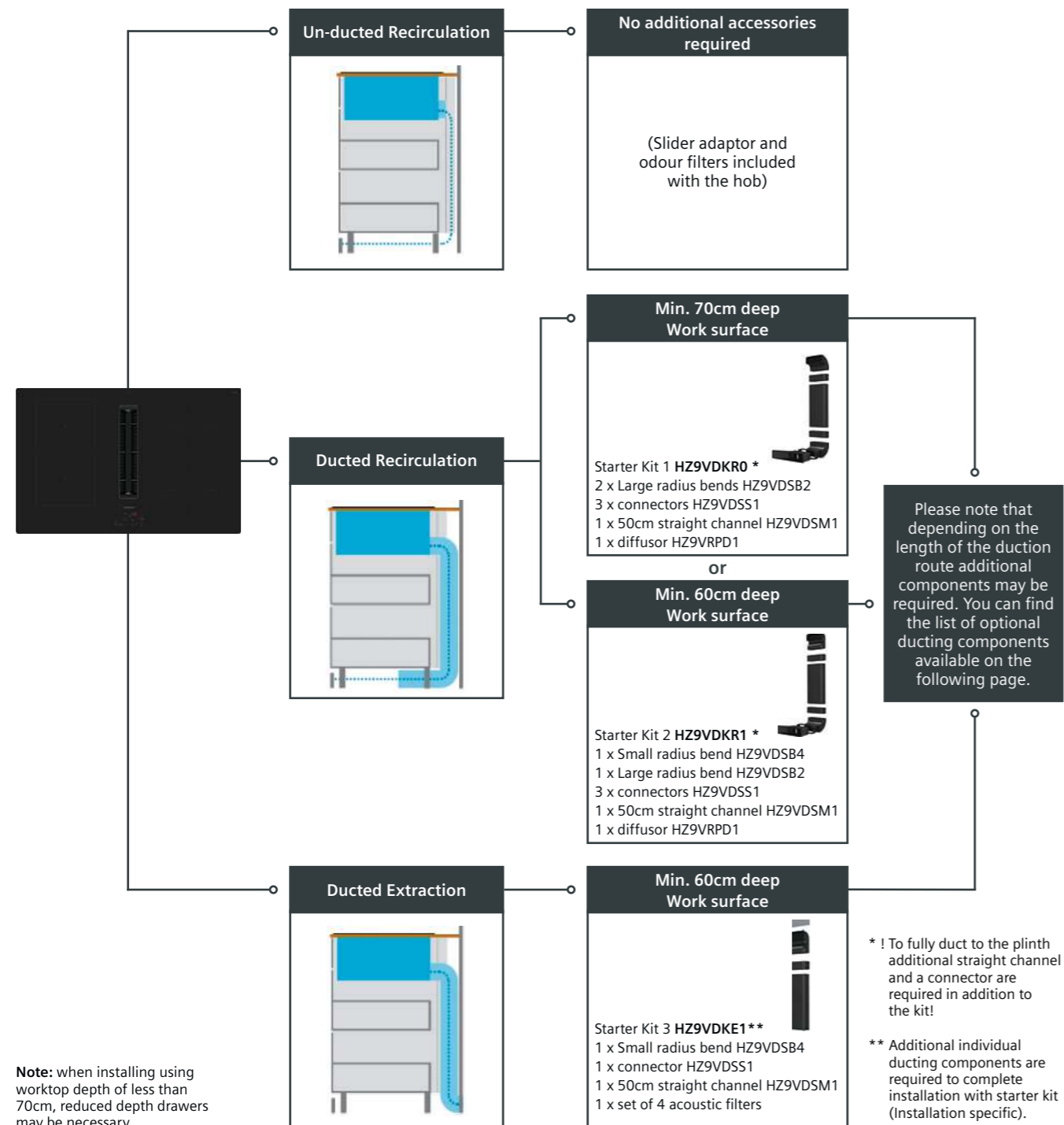


Scan to view installation options

Venting hobs – installation options

Depending on your chosen extraction route we have created a selection of ducting kits to simplify the installation process.

Select your chosen extraction mode from the options below.



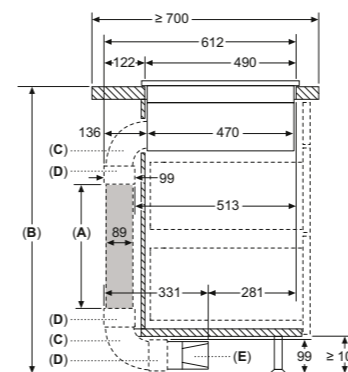
Note: when installing using worktop depth of less than 70cm, reduced depth drawers may be necessary.

Optional additional individual ducting components

	HZ9VDSM1	500mm long flat channel ducting section – outlet size 222mm x 89mm
	HZ9VDSM2	1000mm long flat channel ducting section – outlet size 222mm x 89mm
	HZ9VDSB1	Flat channel 90° horizontal bend, for worktop depth minimum 65cm – outlet size: 222mm x 89mm
	HZ9VDSB2	Flat channel 90° vertical bend (large Radius), for worktop depth minimum 70cm – outlet size 222mm x 89mm
	HZ9VDSB3	Flat channel 90° vertical bend (medium Radius), for worktop depth minimum 65cm – outlet size: 222mm x 89mm
	HZ9VDSB4	Flat channel 90° vertical bend (short Radius), for worktop depth minimum 60cm – outlet size 222mm x 89mm
	HZ9VDSS1	Connection piece for use between straight channel ducting components and bends – outlet size: 222mm x 89mm
	HZ9VDSS2	Flexible Connection piece for use between straight channel ducting components and bends – outlet size: 222mm x 89mm
	HZ9VDSIO	Straight Adaptor / Converter flat to round (Ø 150mm) – outlet size: 222mm x 89mm
	HZ9VDSI1	90° Adaptor / Converter flat to round (Ø 150mm) – outlet size: 222mm x 89mm
	HZ9VRPD1	Diffuser for ducted recirculation – outlet size: 222mm x 89mm
	HZ9VRCR1	1 x set of cleanAir Plus recirculation filters

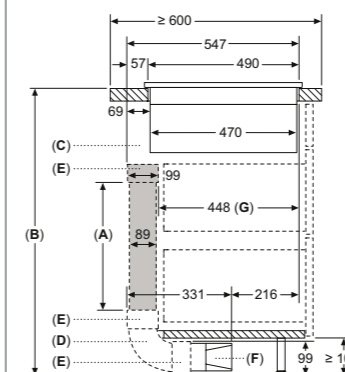
Additional planning notes for vented hob installation

Ducted recirculation using starter kit HZ9VDKR0 for min. 70cm worktop depth



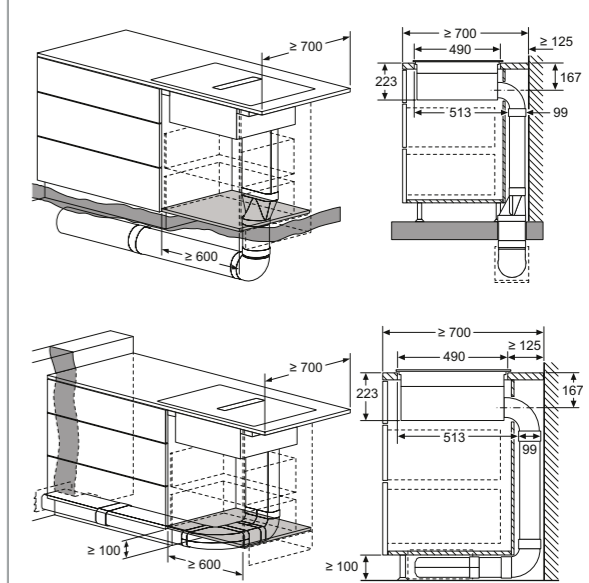
- Install the filters into the hob (included with venting hob)
- Use the adhesive to seal the first bend into the back of the hob
- Discard the telescopic slider piece included with venting hob

Ducted recirculation using starter kit HZ9VDKR1 for min. 60cm worktop depth



- Install the filters into the hob (included with venting hob)
- Use the adhesive to seal the first bend into the back of the hob
- Discard the telescopic slider piece included with venting hob

Ducted exhaust extraction using – Starter kit HZ9VDKE1 for min. 60cm worktop depth



New touchSlider induction hobs. Precision without trying

Our new range of touchSlider induction hobs and angled hoods work tirelessly in the background to remove distractions, eliminate errors and enhance the cooking experience.

Designed for maximum flexibility and control and true to the distinctive Siemens design – our intelligent hobs and hoods make cooking more intuitive, automatically adjusting to the cookware, personalising to the user preferences and automating tasks.

Pure intelligence. Full flexibility.

Siemens' new induction hobs are a natural fit for modern kitchens with their beautiful design with high-quality materials and intuitive touchSlider controls. The range includes a variety of widths – from 60cm to 90cm – with unique design perspectives in every model class. There is a hob to fit each individual style and personal requirements and elevate the kitchen design. The stylish new touchSlider control allows adjustment in increments of half a level at the slide of a finger across the surface.

Designed to simplify the process and prevent errors, the intelligent sensors, flexible induction zones and customisable features make cooking more intuitive, taking the stress out of meal preparation.



Featuring all standard features from the Siemens induction range they include additional features like:



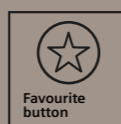
intelligent hood automatic

The hood matches the fan level to the temperature and power of the hob, allowing to cook from start to finish without ever touching the hood by simply pairing both appliances with the Home Connect app. Intelligent hood automatic is available on all new touchSlider induction hobs in combination with our new iQ300, iQ700 inclined hoods.



fryingSensor Pro

fryingSensor Pro prevents overheating thanks to the intelligent sensors that keep the heat in the pan at a constant temperature while cooking to prevent overheating. Just select the best temperature for the dish from the 11 options available.



Favourite button

The favourite button personalises the cooking experience, with just one tap. When connected to the Home Connect app, the favourite button can be programmed to perform a chosen action. Whether it is activating a specific heat and timer setting, switching on hood lighting, or turning on other connected appliances and devices using IFTTT.

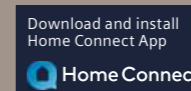


Model shown:
EX651HEC1E flexInduction hob



Our hobs are official Red Dot design and innovation award winners.

The Jury said, "This induction hob offers a combination of interface and interaction that is impressive in its logic. Cooking becomes an experience thanks to the constant response of an intelligent surface".



Have it your way with Home Connect.

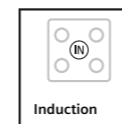
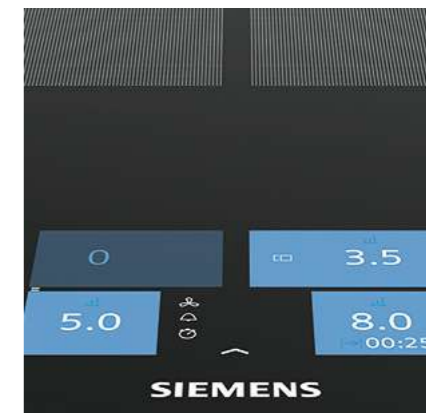
Intelligent connectivity gives more control, support and freedom. Whether it is getting a notification on a smartwatch when dinner is ready, lowering the heat on the hob via a smartphone or tablet, or asking the smart assistant speaker (Amazon Alexa or Google Assistant) to turn off the hob while the table is being set, Home Connect gives more flexibility and more ways to personalise the kitchen.

Some of the features displayed can be accessed only if the device is connected to a Home Connect Account and a SingleKey ID account via the Internet. Home Connect is a service of Home Connect GmbH. For more information on Home Connect, visit www.home-connect.com/gb/en

flexInduction and induction hobs



Model shown:
EX975KXW1E flexInduction hob



Induction cooking

Induction cooking is recognised as being one of the quickest, safest and most efficient methods of cooking available.

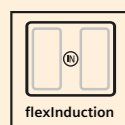
When a pan with a ferrous or magnetic metal base is placed on the hob, the coil situated below the ceramic surface uses an electromagnetic field to create heat, almost instantly heating the pan. With only the base of the pan heated the cooking zone stays cooler.

Easier to clean and safer to use, because the ceramic cooking surface is warmed only by the heat transferred back from the cookware and its contents, spillages are less likely to burn on, and there is normally no need to wait for the glass to cool down before simply wiping it over with a cloth, there is some residual heat from the cooking process but there is a reduced risk of burning on high temperatures from the hob surface. And if the induction hob is turned on without a pot or pan being placed on it, the hob itself will not heat up which reduces the risk of getting burnt.

Black glass finish

Our stunning induction hobs feature a black glass finish and bold displays. Our stylish collection mimicks the aesthetics of our built-in ovens and microwaves so our kitchen appliances can truly complement one another.

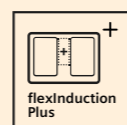
flexInduction, no-compromise cooking at its best.



Siemens flexInduction hobs are a must for diverse cooking. The cooking area can be tailored to individual needs, so it can either be used as a traditional induction hob with separate zones, or by linking the zones together for larger cooking pans. The extended cooking surface can accommodate multiple pans of any size, placed anywhere on the surface at the same time. flexInduction also includes boost settings, automatic pan recognition and touchSlider controls.



Each flexInduction zone houses four innovative elongated inductors beneath the glass, which act independently to detect the presence of cookware on the hob. The individual inductors only work when cookware is detected, whether that is a 10cm milk pan placed in one corner, or a large griddle plate covering the whole zone. With only specific areas active at any particular time, no energy is wasted. And for an even more versatile cooking, the newly designed triple flexInduction hob provides the ultimate in flexible cooking with three flexInduction zones. flexInduction is no-compromise cooking at its best.



With flexInduction Plus, the cooking zones automatically adapt to the sizes of pots and pans of up to 30cm in diameter. If one cooking zone is not sufficient, additional inductors are automatically activated to ensure the heat is evenly applied at all times. flexInduction Plus offers additional flex zones for even larger pans. In 90cm variants an additional flex zone is possible with additional inductors below the hob surface situated in the centre of the hob. For 80cm flexInduction Plus hobs, the left and right zones can be extended further to allow for a larger cooking space. For 60cm flexInduction Plus hobs, no matter which side of the pan goes over, a central zone is automatically added.

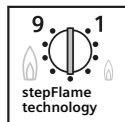


Model shown:
EX875KYW1E flexInduction hob

Gas hobs key features

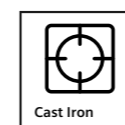
High performance, high speed.

Tradition meets innovation – with their modern functions, Siemens gas hobs provide enjoyment in cooking like a pro. Our top-of-the-range models feature beautiful and durable black ceramic glass hob bases, with cast iron pan supports for a contemporary look. They are designed to coordinate with other appliances in the iQ700 range, and can be combined seamlessly with iQ700 domino and electric hobs. Low profile, single piece burners on the glass complete the sleek appearance.



stepFlame technology

Introducing the ground-breaking innovation in gas hobs: stepFlame. Offering 9 precise power levels to provide the same level of control than with an electric hob, but with gas - removing all guesswork. Whatever the level selected, the exact heat and the flame size needed is provided to achieve the precise results. It is just as easy to operate as it sounds, so conjuring up delicious meals is now easier than ever.



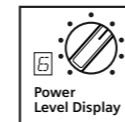
Cast Iron

Cast iron pan supports are designed to withstand even the heaviest of pots and pans and provide a sleek finish to each hob. All can be removed for easier cleaning and iQ700 models have dishwasher safe pan supports.



Wok burner

Siemens gas hobs feature wok burners that deliver 3.3kW, 4.0kW, 4.2kW, 5.0kW or 6.0kW of power depending on the model, meeting the increasing demand for high speed cooking. But it is not just about power; they can be turned down to just 0.3kW – perfect for simmering. For the ultimate in flexibility, our 6.0kW and 5.0kW burners are dual control – the inner and outer flame rings can be adjusted independently via a single control.



Power Level Display with residual heat indicator

Together with the new stepFlame technology, selected gas hobs feature an LED display which clearly shows the selected power level at a glance. For added safety, the LED display also shows whether there is any residual heat from the hob indicated by a capital 'H' for hot and a lower case 'h' for warm.



Dishwasher proof

All gas on ceramic glass models feature pan supports that are treated with a special coating which resists discolouration and the damaging effects of a dishwasher.

Hob accessories

For additional cooking flexibility Siemens provide a range of accessories for our flexInduction, gas and domino hobs.

flexInduction hob Accessories

Pan sets

This new range of induction pans are designed to work perfectly with induction and flexInduction hobs. The rectangular shape fits perfectly to the induction zones and the pans are all oven-proof up to 220°C with a non-stick coating so that food cooks perfectly while also being easy to clean. They are also easy to stack to maximise storage space.



4-piece set
HZ9FF040

(Consists of 1 x Flex Pan large, 1 x Flex Pan medium and 2 x Flex Pan small with lids)



3-piece set
HZ9FF030

(Consists of 1 x Flex Pan large, 1 x Flex Pan medium and 1 x Flex Pan small with lid)



Model shown:
EX875KYW1E flexInduction hob
with new HZ390011 flexInduction
4-piece pan set



Griddle pan

Converts our induction cooktop into a grill, specially designed for use across four flexInductors. The griddle pan maintains an even heat, perfect for frying steak or for roasting meat, fish and vegetables.



Griddle pan
HZ390522



Teppan Yaki

Heating extremely quickly the Teppan Yaki is great for fast Japanese cooking. Perfect for a cooked breakfast or a healthy stir-fry, the pan will fit across either three or four flexInductors.



34x20cm
HZ9TY010



40x20cm
HZ390512



Roasting dish

Perfect for use with flexInduction hobs this multipurpose dish is a must when cooking for a crowd.



Roasting dish
HZ390011

Gas Accessories



Wok ring
17003262

Wok ring

Cooking oriental meals in a wok, requires a high temperature. This wok ring helps to regulate heat and concentrate the open flame to one area.

Cross support
00184200



Cross support

Perfect for supporting smaller pots and pans on the hob. Whether using an espresso pot, or small saucepan, the cross support provides maximum stability.



Models shown above:
ER3A6AB70 wok domino hob,
ET475FYB1E Teppan Yaki domino hob
and EX375FXB1E flexInduction domino hob

Domino Hob Accessories



CookingSensor Plus Wireless
temperature sensor
HZ39050



Cast iron non-stick
frying pan
HZ9FE280



Six piece pan set
HZ9SE060

OPTIONAL ACCESSORIES FOR DOMINO HOB	
CookingSensor Plus Wireless temperature sensor for cookingSensor Plus ready models	HZ39050
Connecting strip for use with side trim hobs	HZ394301
Flex Pan Set 4 pcs. Perfect universal pans for the FlexZone. Consists of 1 x Flex Pan large, 1 x Flex Pan medium and 2 x Flex Pan small with lids	HZ9FF040
Flex Pan Set 3 pcs. Perfect universal pans for the FlexZone. Consists of 1 x Flex Pan large, 1 x Flex Pan medium and 1 x Flex Pan small with lid	HZ9FF030
Flex Pan large approx. 35 x 22cm. Perfect universal pan for the FlexZone	HZ9FF010
Teppan Yaki approx. 34 x 20cm. Perfect for the FlexZone	HZ9TY010
Four piece pan set, suited for induction, radiant ceramic and gas. Consists of 1 x sauté pan, 2 x pots with lids and 1 x milk pan	HZ9SE040
Six piece pan set, suited for induction, radiant ceramic and gas. Consists of 2 x sauté pan, 3 x pots with lids and 1 x milk pan	HZ9SE060
Cast iron non-stick frying pan, suited for induction, base diameter 185mm	HZ9FE280
BergHOFF three piece induction pan set	HZ9SE030
Griddle plate, approx. 40x20 cm for use with flexInduction	HZ390522
Teppan Yaki, approx. 40x20 cm for use with flexInduction	HZ390512
Oval roasting dish with lid for use with induction hobs	HZ390011

For more details on the range of accessories available please visit siemens-home.bsh-group.com/uk/shop

inductionAir Plus hobs product overview






studioLine 5 year warranty
A five year warranty is available on all Siemens studioLine hobs listed in this brochure to protect against manufacturing and material faults during this warranty period.

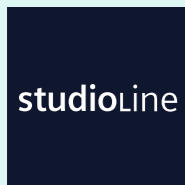


2 year warranty
A two year warranty is available on all Siemens hobs listed in this brochure to protect against manufacturing and material faults during this warranty period.



Display type	studioLine inductionAir Plus hob 812mm	studioLine inductionAir Plus hob 792mm	inductionAir Plus hob 802mm
Blue Dual lightSlider	 <p>EX877NX68E IQ700 TopFrame without front bevel (studioLine blackSteel trim)</p> <ul style="list-style-type: none"> • 4 individual zones • 17 hob power levels • 17 + 2 Intensive hood power levels • powerBoost • flexMotion • powerMove Plus (3 stages) • cookingSensor Plus ready • fryingSensor Plus (5 levels) • climateControl sensor • 2 flex induction zones <p>5 year warranty</p>	 <p>EX807NX68E IQ700 TopFrame without front bevel (frameless)</p> <ul style="list-style-type: none"> • 4 individual zones • 17 hob power levels • 17 + 2 Intensive hood power levels • powerBoost • flexMotion • powerMove Plus (3 stages) • cookingSensor Plus ready* • fryingSensor Plus (5 levels) • climateControl sensor • 2 flex induction zones <p>*Flushline installation</p> <p>5 year warranty</p>	
touchSlider			 <p>ED851HQ26E IQ500 U-Bevel</p> <ul style="list-style-type: none"> • 4 individual zones • 17 hob power levels • 9 + 2 Intensive hood power levels • powerBoost • fryingSensor Plus (11 levels) • Auto-On automatic extraction • 2 combiZones (left & right) • favourite button <p>2 year warranty</p>
touchControl			

inductionAir Plus hob 710mm	inductionAir Plus hob 802mm	inductionAir Plus hob 592mm
	 <p>ED711HQ26E IQ500 Frameless</p> <ul style="list-style-type: none"> • 4 individual zones • 17 hob power levels • 9 + 2 Intensive hood power levels • powerBoost • fryingSensor Plus (11 levels) • Auto-On automatic extraction • 2 combiZones (left & right) • favourite button <p>2 year warranty</p>	
	 <p>ED811BS16E IQ300 Frameless</p> <ul style="list-style-type: none"> • 4 individual zones • 17 hob power levels • 3 + 1 Intensive hood power levels • powerBoost • Auto-On automatic extraction • 1 combiZone <p>2 year warranty</p>	 <p>ED611BS16E IQ300 Frameless</p> <ul style="list-style-type: none"> • 4 individual zones • 17 hob power levels • 3 + 1 Intensive hood power levels • powerBoost • Auto-On automatic extraction • 1 combiZone <p>2 year warranty</p>

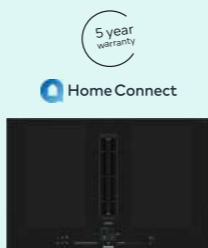
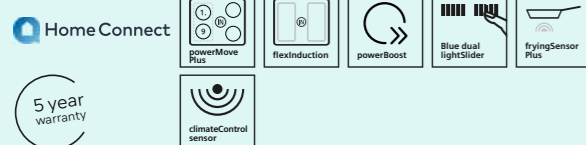


inductionAir Plus hobs

iQ 700 EX877NX68E

inductionAir Plus hob
Black glass

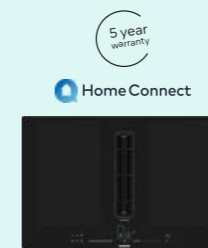
80cm



studioLine inductionAir Plus hob specifications

APPLIANCE TYPE	INDUCTIONAIR PLUS HOB	
Design family	iQ 700	
Model number	EX877NX68E	
DESIGN		
Width (mm)	812	
Control position / Control type	Front / Blue Dual lightSlider	
Style	TopFrame without front bevel (studioLine blackSteel trim)	
KEY FEATURES		
Home Connect	■	
Integrated extractor	■	
cookingSensor Plus ready ¹	HZ39050 required	
fryingSensor Plus settings for hob	5 levels	
Favourite Button	-	
Automatic extraction	Fully sensor based	
Number of flexInduction zones	2	
Number of combiZones	-	
HOB FEATURES		
Number of individual zones / Power levels	4 / 17	
powerBoost / powerMove Plus	■ / 3 stages	
panBoost	■	
Adaptable volume / Energy consumption display	- / ■	
Keep warm function	■	
quickStart / Quick stop (Quick switch-off)	■ / -	
flexMotion / reStart	■ / ■	
Demo mode	■	
Dish categories/setting recommendations	■	
Wipe protection function (Control panel pause)	■	
SAFETY FEATURES		
Residual heat indicator / Pan recognition	■ / ■	
Childproof lock / Favourite button	■ / -	
Countdown timer / Count up timer	■ / ■	
Safety time switch off / Main on/off switch	■ / ■	
HOOD FEATURES		
climateControl sensor / Metal grease filter	■ / ■	
Power levels	17 + 2 Intensive	
Automatic intensive revert setting	6 minutes	
Automatic or manual control	■	
Automatic after running: Extraction / Recirculation	12 / 30 minutes	
Interval operation	■	
Dishwasher safe grease filter cassette with spillage collection	Yes - 200ml capacity	
Dishwasher safe spillage overflow collector	700ml capacity	
Electronic grease filter / cleanAir filter saturation indicators	■ / ■	
PERFORMANCE / TECHNICAL INFORMATION - HOB		
Maximum power output (W)	7,400	
Nominal voltage (V)	220-240	
Electrical cable length (cm)	110	
Rear left zone - power (kW) / dimensions (mm)	2.20	200 x 240
Rear right zone - power (kW) / dimensions (mm)	2.20	200 x 240
Front left zone - power (kW) / dimensions (mm)	2.20	200 x 240
Front right zone - power (kW) / dimensions (mm)	2.20	200 x 240
flexInduction zone left - power (kW) / dimensions (mm)	3.30	400 x 240
flexInduction zone right - power (kW) / dimensions (mm)	3.30	400 x 240
combiZone left - power (kW) / dimensions (mm)	-	-
combiZone right - power (kW) / dimensions (mm)	-	-
Rear left zone / Rear right zone - with powerBoost (max. kW)	3.70 / 3.70	
Front left zone / Front right zone - with powerBoost (max. kW)	3.70 / 3.70	
PERFORMANCE / TECHNICAL INFORMATION - EXTRACTOR		
Extractor energy efficiency rating	B	
Extraction rate in m³/h^(1,2)		
- ducted / recirculating power level minimum	154 / 132	
- ducted / recirculating power level maximum	500 / 499	
- ducted / recirculating power level intensive	622 / 595	
Noise level (sound power) based on dB[A] re 1pW^(1,3)		
- ducted / recirculating power level minimum	42 / 41	
- ducted / recirculating power level maximum	69 / 68	
- ducted / recirculating power level intensive	74 / 72	
Motor power (W)	170	

■ Yes, model has this feature. - Feature not available for this model.
All models comply with COMMISSION (EC) No. 1275/2008 with regard to ecodesign requirements for standby and off mode electric power consumption.
¹ Max 3 sensors at any time; one WSP provided. ² Air flow and noise declarations made in line with CECEC Code Of Conduct. ³ Sound power measured according to EN60704-3 on largest pipe diameter.
Data valid in this table as of April 2024. Subject to modification without prior notice.



studioLine inductionAir Plus hob specifications

APPLIANCE TYPE	INDUCTIONAIR PLUS HOBS	
Design family	iQ 700	
Model number	EX807NX68E	
DESIGN		
Width (mm)	792	
Control position / Control type	Front / Blue Dual lightSlider	
Style	TopFrame without front bevel (Frameless flushline installation)	
KEY FEATURES		
Home Connect	■	
Integrated extractor	■	
cookingSensor Plus ready ¹	HZ39050 required	
fryingSensor Plus settings for hob	5 levels	
Favourite Button	-	
Automatic extraction	Fully sensor based	
Number of flexInduction zones	2	
Number of combiZones	-	
HOB FEATURES		
Number of individual zones / Power levels	4 / 17	
powerBoost / powerMove Plus	■ / 3 stages	
panBoost	■	
Adaptable volume / Energy consumption display	- / ■	
Keep warm function	■	
quickStart / Quick stop (Quick switch-off)	■ / -	
flexMotion / reStart xMotion	■ / ■	
Demo mode	■	
Dish categories/setting recommendations	■	
Wipe protection function (Control panel pause)	■	
SAFETY FEATURES		
Residual heat indicator / Pan recognition	■ / ■	
Childproof lock / Favourite button	■ / -	
Countdown timer / Count up timer	■ / ■	
Safety time switch off / Main on/off switch	■ / ■	
HOOD FEATURES		
climateControl sensor / Metal grease filter	■ / ■	
Power levels	17 + 2 intensive	
Automatic intensive revert setting	6 minutes	
Automatic or manual control	■	
Automatic after running: Extraction / Recirculation	12 / 30 minutes	
Interval operation	■	
Dishwasher safe grease filter cassette with spillage collection	Yes - 200ml capacity	
Dishwasher safe spillage overflow collector	700ml capacity	
Electronic grease filter / cleanAir filter saturation indicators	■ / ■	
PERFORMANCE / TECHNICAL INFORMATION - HOB		
Maximum power output (W)	7,400	
Nominal voltage (V)	220-240	
Electrical cable length (cm)	110	
Rear left zone - power (kW) / dimensions (mm)	2.20	200 x 240
Rear right zone - power (kW) / dimensions (mm)	2.20	200 x 240
Front left zone - power (kW) / dimensions (mm)	2.20	200 x 240
Front right zone - power (kW) / dimensions (mm)	2.20	200 x 240
flexInduction zone left - power (kW) / dimensions (mm)	3.30	400 x 240
flexInduction zone right - power (kW) / dimensions (mm)	3.30	400 x 240
combiZone left - power (kW) / dimensions (mm)	-	-
combiZone right - power (kW) / dimensions (mm)	-	-
Rear left zone / Rear right zone - with powerBoost (max. kW)	3.70 / 3.70	
Front left zone / Front right zone - with powerBoost (max. kW)	3.70 / 3.70	
PERFORMANCE / TECHNICAL INFORMATION - EXTRACTOR		
Extractor energy efficiency rating	B	
Extraction rate in m³/h^(1,2)		
- ducted / recirculating power level minimum	154 / 132	
- ducted / recirculating power level maximum	500 / 499	
- ducted / recirculating power level intensive	622 / 595	
Noise level (sound power) based on dB[A] re 1pW^(1,3)		
- ducted / recirculating power level minimum	42 / 41	
- ducted / recirculating power level maximum	69 / 68	
- ducted / recirculating power level intensive	74 / 72	
Motor power (W)	170	

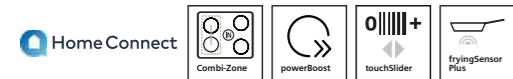
■ Yes, model has this feature. - Feature not available for this model.
All models comply with COMMISSION (EC) No. 1275/2008 with regard to ecodesign requirements for standby and off mode electric power consumption.
¹ Max 3 sensors at any time; one WSP provided. ² Air flow and noise declarations made in line with CECEC Code Of Conduct. ³ Sound power measured according to EN60704-3 on largest pipe diameter.
Data valid in this table as of April 2024. Subject to modification without prior notice.

inductionAir Plus hobs

iQ 500 ED851HQ26E

inductionAir Plus hob
Black glass

80cm



inductionAir Plus hob specifications

APPLIANCE TYPE	INDUCTIONAIR PLUS HOB	
Design family	iQ 500	
Model number	ED851HQ26E	
DESIGN		
Width (mm)	802	
Control position / Control type	Front / touchSlider	
Style	U-bevel	
KEY FEATURES		
Home Connect	■	
Integrated extractor	■	
cookingSensor Plus ready ¹	-	
fryingSensor Plus settings for hob	11 levels	
Favourite Button	■	
Automatic extraction	Auto-on	
Number of flexInduction zones	-	
Number of combiZones	2: Left & Right	
HOB FEATURES		
Number of individual zones / Power levels	4 / 17	
powerBoost / powerMove Plus	■ / -	
panBoost	via HC/Favourite Button a. sw upd.	
Adaptable volume / Energy consumption display	■ / -	
Keep warm function	via HC/Favourite Button a. sw upd.	
quickStart / Quick stop (Quick switch-off)	■ / -	
flexMotion / reStart	- / ■	
Demo mode	-	
Dish categories/setting recommendations	via HC app a. sw upd.	
Wipe protection function (Control panel pause)	-	
SAFETY FEATURES		
Residual heat indicator / Pan recognition	■ / ■	
Childproof lock / Favourite button	■ / ■	
Countdown timer / Count up timer	■ / -	
Safety time switch off / Main on/off switch	■ / ■	
HOOD FEATURES		
climateControl sensor / Metal grease filter	- / ■	
Power levels	9 + 2 Intensive	
Automatic intensive revert setting	6 minutes	
Automatic or manual control	■	
Automatic after running: Extraction / Recirculation	12 / 30 minutes	
Interval operation	■	
Dishwasher safe grease filter cassette with spillage collection	Yes - 200ml capacity	
Dishwasher safe spillage overflow collector	700ml capacity	
Electronic grease filter/cleanAir filter saturation indicators	- / -	
PERFORMANCE / TECHNICAL INFORMATION – HOB		
Maximum power output (W)	7,400	
Nominal voltage (V)	220-240	
Electrical cable length (cm)	110	
Rear left zone - power (kW) / dimensions (mm)	2.50	190 x 210
Rear right zone - power (kW) / dimensions (mm)	2.50	190 x 210
Front left zone - power (kW) / dimensions (mm)	2.50	190 x 210
Front right zone - power (kW) / dimensions (mm)	2.50	190 x 210
flexInduction zone left - power (kW) / dimensions (mm)	-	-
flexInduction zone right - power (kW) / dimensions (mm)	-	-
combiZone left - power (kW) / dimensions (mm)	3.60	380 x 210
combiZone right - power (kW) / dimensions (mm)	3.60	380 x 210
Rear left zone / Rear right zone - with powerBoost (max. kW)	3.70 / 3.70	
Front left zone / Front right zone - with powerBoost (max. kW)	3.70 / 3.70	
PERFORMANCE / TECHNICAL INFORMATION – EXTRACTOR		
Extractor energy efficiency rating	B	
Extraction rate in m ³ /h ^(1,2)		
- ducted / recirculating power level minimum	154 / 117	
- ducted / recirculating power level maximum	500 / 487	
- ducted / recirculating power level intensive	622 / 595	
Noise level (sound power) based on dB[A] re 1pW ^(1,4)		
- ducted / recirculating power level minimum	42 / 41	
- ducted / recirculating power level maximum	69 / 68	
- ducted / recirculating power level intensive	74 / 72	
Motor power (W)	170	

■ Yes, model has this feature. - Feature not available for this model.
All models comply with COMMISSION (EC) No. 1275/2008 with regard to ecodesign requirements for standby and off mode electric power consumption.
¹ Max 3 sensors at any time; one WSP provided. ² Air flow and noise declarations made in line with CECEC Code Of Conduct. ³ Sound power measured according to EN60704-3 on largest pipe diameter.
Data valid in this table as of April 2024. Subject to modification without prior notice.



inductionAir Plus hob specifications

APPLIANCE TYPE	INDUCTIONAIR PLUS HOB					
Design family	iQ 500	iQ 300	iQ 300			
Model number	ED711HQ26E	ED811B516E	ED611B516E			
DESIGN						
Width (mm)	710	802	592			
Control position / Control type	Front / touchSlider	Front / touchControl	Front / touchControl			
Style	Frameless	Frameless	Frameless			
KEY FEATURES						
Home Connect	■	-	-			
Integrated extractor	■	■	■			
cookingSensor Plus ready ¹	-	-	-			
fryingSensor Plus settings for hob	11 levels	-	-			
Favourite Button	■	-	-			
Automatic extraction	Auto-on	Auto-On	Auto-On			
Number of flexInduction zones	-	-	-			
Number of combiZones	2: Left & Right	1	1			
HOB FEATURES						
Number of individual zones / Power levels	4 / 17	4 / 17	4 / 17			
powerBoost / powerMove Plus	■ / -	■ / -	■ / -			
panBoost	via HC/Favourite Button a. sw upd.	-	-			
Adaptable volume / Energy consumption display	■ / -	- / -	- / -			
Keep warm function	via HC/Favourite Button a. sw upd.	-	-			
quickStart / Quick stop (Quick switch-off)	■ / -	■ / ■	■ / ■			
flexMotion / reStart	- / ■	- / ■	- / ■			
Demo mode	-	-	-			
Dish categories/setting recommendations	via HC app a. sw upd.	-	-			
Wipe protection function (Control panel pause)	-	-	-			
SAFETY FEATURES						
Residual heat indicator / Pan recognition	■ / ■	■ / ■	■ / ■			
Childproof lock / Favourite button	■ / ■	■ / -	■ / -			
Countdown timer / Count up timer	■ / -	■ / -	■ / -			
Safety time switch off / Main on/off switch	■ / ■	■ / ■	■ / ■			
HOOD FEATURES						
climateControl sensor / Metal grease filter	- / ■	- / ■	- / ■			
Power levels	9 + 2 intensive	3 + 1 intensive	3 + 1 intensive			
Automatic intensive revert setting	6 minutes	6 minutes	6 minutes			
Automatic or manual control	■	■	■			
Automatic after running: Extraction / Recirculation	12 / 30 minutes	12 / 30 minutes	12 / 30 minutes			
Interval operation	■	■	■			
Dishwasher safe grease filter cassette with spillage collection	Yes - 200ml capacity	Yes - 200ml capacity	Yes - 200ml capacity			
Dishwasher safe spillage overflow collector	700ml capacity	700ml capacity	700ml capacity			
Electronic grease filter/cleanAir filter saturation indicators	- / -	- / -	- / -			
PERFORMANCE / TECHNICAL INFORMATION – HOB						
Maximum power output (W)	7,400	7,400	7,400			
Nominal voltage (V)	220-240	220-240	220-240			
Electrical cable length (cm)	110	110	110			
Rear left zone - power (kW) / dimensions (mm)	2.50	190 x 210	2.20	190 x 210		
Rear right zone - power (kW) / dimensions (mm)	2.50	190 x 210	1.80	180	1.40	145
Front left zone - power (kW) / dimensions (mm)	2.50	190 x 210	2.20	190 x 210	2.20	190 x 210
Front right zone - power (kW) / dimensions (mm)	2.50	190 x 210	2.20	210	2.20	210
flexInduction zone left - power (kW) / dimensions (mm)	-	-	-	-	-	-
flexInduction zone right - power (kW) / dimensions (mm)	-	-	-	-	-	-
combiZone left - power (kW) / dimensions (mm)	3.60	380 x 210	3.60	380 x 210	3.60	380 x 210
combiZone right - power (kW) / dimensions (mm)	3.60	380 x 210	-	-	-	-
Rear left zone / Rear right zone - with powerBoost (max. kW)	3.70 / 3.70		3.70 / 3.10		3.70 / 3.20	
Front left zone / Front right zone - with powerBoost (max. kW)	3.70 / 3.70		3.70 / 3.70		3.70 / 3.70	
PERFORMANCE / TECHNICAL INFORMATION – EXTRACTOR						
Extractor energy efficiency rating	B					
Extraction rate in m ³ /h ^(1,2)						
- ducted / recirculating power level minimum	154 / 117					
- ducted / recirculating power level maximum	500 / 487					
- ducted / recirculating power level intensive	622 / 595					
Noise level (sound power) based on dB[A] re 1pW ^(1,4)						
- ducted / recirculating power level minimum	42 / 41					
- ducted / recirculating power level maximum	69 / 66					
- ducted / recirculating power level intensive	74 / 72					
Motor power (W)	170					

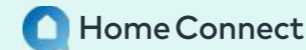
■ Yes, model has this feature. - Feature not available for this model.
All models comply with COMMISSION (EC) No. 1275/2008 with regard to ecodesign requirements for standby and off mode electric power consumption.
¹ Max 3 sensors at any time; one WSP provided. ² Air flow and noise declarations made in line with CECEC Code Of Conduct. ³ Sound power measured according to EN60704-3 on largest pipe diameter.
Data valid in this table as of April 2024. Subject to modification without prior notice.

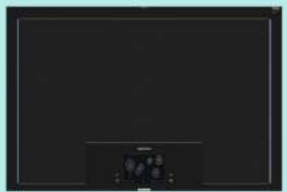




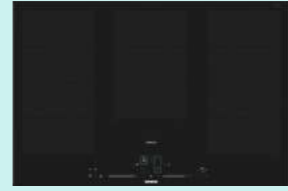


free and flexInduction hob product overview



studioLine 5 year warranty
A five year warranty is available on all Siemens studioLine hobs listed in this brochure to protect against manufacturing and material faults during this warranty period.



Display type	freeInduction hob	flexInduction hob	flexInduction hob
TFT Touchdisplay Plus	912mm  EZ977KZY1E* I700 blackSteel trim <ul style="list-style-type: none"> • 1 continuous zone • 17 power levels • cookConnect • powerBoost • flexMotion • powerMove Pro (2 stage) • cookingSensor Plus ready *Seamless installation with LD98WMM66 with kit	912mm  EX977KXX5E* I700 blackSteel trim <ul style="list-style-type: none"> • 5 individual zones • 17 hob power levels • cookConnect • powerBoost • flexMotion • powerMove Plus (3 stages) • cookingSensor Plus ready • fryingSensor Plus (5 levels) • 3 flex induction zones *Seamless installation with LD98WMM66 with kit	812mm  EX878LYV5E* I700 blackSteel trim <ul style="list-style-type: none"> • 4 individual zones • 17 power levels • cookConnect • powerBoost • flexMotion • powerMove Plus (3 steps) • fryingSensor Plus (5 levels) • 2 flexInduction zones • 2 extended flexInduction zones • zoneLight *Seamless installation with LD88WMM66B with kit
TFT Touchdisplay			
Blue Dual lightSlider			

flexInduction hob	flexInduction hob	flexInduction hob
912mm  EX977NXV6E* I700 blackSteel trim <ul style="list-style-type: none"> • 5 individual zones • 17 power levels • cookConnect • powerBoost • flexMotion • powerMove Plus (3 steps) • fryingSensor Plus (5 levels) • 3 flexInduction zones *Seamless installation with LD98WMM66 with kit	912mm  EX877NYV6E* I700 blackSteel trim <ul style="list-style-type: none"> • 4 individual zones • 17 power levels • cookConnect • powerBoost • flexMotion • powerMove Plus (3 steps) • fryingSensor Plus (5 levels) • 2 flexInduction zones • 2 extended flexInduction zones *Seamless installation with LD88WMM66B with kit	602mm  EX677NYV6E* I700 blackSteel trim <ul style="list-style-type: none"> • 4 individual zones • 17 power levels • cookConnect • powerBoost • flexMotion • powerMove Plus (3 steps) • fryingSensor Plus (5 levels) • 2 flexInduction zones • 2 extended flexInduction zones *Seamless installation with LD88WMM66B with kit

studioLine

freeInduction hob

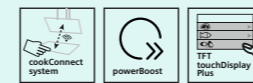
5 year warranty



iQ 700 EZ977KZY1E

freeInduction hob
Black glass

90cm



studioLine freeInduction hob specifications

APPLIANCE TYPE	FLEXINDUCTION HOB
Design family	iQ 700
Model number	EZ977KZY1E
DESIGN	
Width (mm)	912
Control position	Front
Control type	TFT Touchdisplay Plus
Style	Black glass with blackSteel trim
Domino compatible	-
KEY FEATURES	
Home Connect	■
cookConnect	■
cookingSensor Plus ready ¹	HZ39050 required
fryingSensor Plus settings for hob	-
Intelligent hood automatic	-
Favourite button	-
freeInduction zone	■
Extended flexInduction zone ²	-
Number of flexInduction zones	-
Number of combiZones	-
activeLight	■
HOB FEATURES	
Number of individual zones / Power levels	1 continuous cooking zone / 17
powerBoost / powerMove Plus	■ / (powerMove Pro) 2 stages
panBoost	■
Adaptable volume / Energy consumption display	- / -
Keep warm function	■
quickStart / Quick stop (Quick switch-off)	■ / -
flexMotion	■
reStart	■
Demo mode	■
Dish categories/setting recommendations	■
Wipe protection function (Control panel pause)	■
Plug&Play with GB plug	-
SAFETY FEATURES	
Residual heat indicator / Pan recognition	■ / ■
Childproof lock / Safety time switch off	■ / ■
Pause function	-
Countdown timer (Timer with automatic switch off for each zone)	■
Count up timer	■
Main on/off switch	■
PERFORMANCE / TECHNICAL INFORMATION	
Maximum power output (W)	7,400
Nominal voltage (V)	220-240
Electrical cable length (cm)	150
freeInduction zone - power (kW) / dimensions (mm)	3.50 / 3,200cm ²
Rear left flexInduction zone - power (kW) / dimensions (mm)	- / -
Rear left zone - power (kW) / diameter (mm)	- / -
Rear right flexInduction zone - power (kW) / dimensions (mm)	- / -
Rear right zone - power (kW) / diameter (mm)	- / -
Rear centre zone - power (kW) / diameter (mm)	- / -
Front centre zone - power (kW) / diameter (mm)	- / -
Front left flexInduction zone - power (kW) / dimensions (mm)	- / -
Front left zone - power (kW) / diameter (mm)	- / -
Front right flexInduction zone - power (kW) / dimensions (mm)	- / -
Front right zone - power (kW) / diameter (mm)	- / -
flexInduction zone left - power (kW) / dimensions (mm)	- / -
flexInduction zone right - power (kW) / dimensions (mm)	- / -
Extended flexInduction rear left - power (kW) / dimensions (mm)	- / -
Extended flexInduction rear right - power (kW) / dimensions (mm)	- / -
combiZone left - power (kW) / dimensions (mm)	- / -
combiZone right - power (kW) / dimensions (mm)	- / -
freeInduction zone right - powerBoost (max. kW)	5.50
Rear left zone / Rear right zone - with powerBoost (max. kW)	-
Rear centre zone - with powerBoost (max. kW)	-
Front left zone / Front right zone - with powerBoost (max. kW)	-

■ Yes, model has this feature. - Feature not available for this model.
All models comply with COMMISSION (EC) No. 1275/2008 with regard to ecodesign requirements for standby and off mode electric power consumption.
¹Max 3 sensors at any time. "Ready" identifies products with feature enabled, sensor available as additional purchase. If sensor is supplied, number supplied is detailed.
²On 60cm model, the single centre aux inductor can work only with either the left or right zones. On the 80cm models, there are two aux inductors, one allocated each to the left and right zones. No bridge is possible to use 2 aux zones together.
Data valid in this table as of April 2024. Subject to modification without prior notice.

Cooking without limits - freeInduction

The innovative full surface induction hob allows users to experience a new level of flexibility. The 48 micro inductors positioned beneath the sleek ceramic surface allow to cook without the restriction of traditional cooking zones.

Up to four pots and pans can be placed anywhere on the surface, the induction hob then automatically detects the size and shape of the cookware, and delivers the heat exactly where it is needed. Its unique activeLight gives helpful intelligent visual feedback.

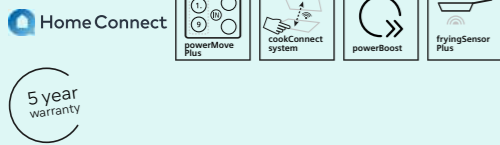
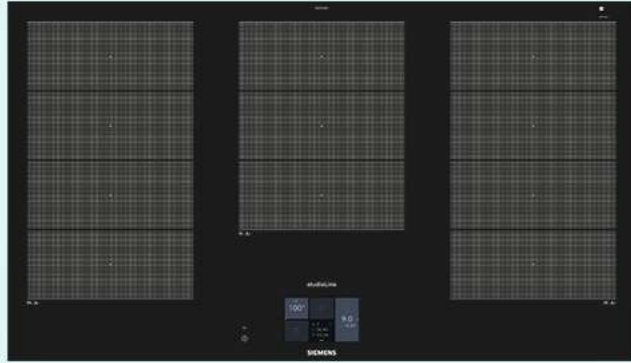


studioLine flexInduction hobs

iQ700 EX977KXX5E

flexInduction hob
Black glass

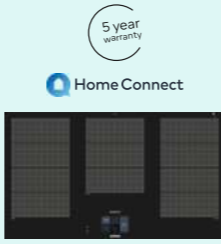
90cm



studioLine flexInduction hob specifications

APPLIANCE TYPE	FLEXINDUCTION HOB	
Design family	iQ700	
Model number	EX977KXX5E	
DESIGN		
Width (mm)	912	
Control position / Control type	Front / TFT Touchdisplay	
Style	Black glass with blackSteel trim	
Domino compatible	-	
KEY FEATURES		
Home Connect	■	
cookConnect	■	
cookingSensor Plus ready ¹	HZ39050 required	
fryingSensor Plus settings for hob	5 levels	
Intelligent hood automatic	-	
Favourite button	-	
Number of freeInduction zones	-	
Extended flexInduction zone ²	-	
Number of flexInduction zones	3	
Number of combiZones	-	
activeLight	-	
HOB FEATURES		
Number of individual zones / Power levels	5 / 17	
powerBoost / powerMove Plus	■ / 3 steps	
panBoost	■	
Adaptable volume / Energy consumption display	- / ■	
Keep warm function	■	
quickStart / Quick stop (Quick switch-off)	■ / -	
flexMotion	■	
reStart	■	
Demo mode	■	
Dish categories/setting recommendations	■	
Wipe protection function (Control panel pause)	■	
Plug&Play with GB plug	-	
SAFETY FEATURES		
Residual heat indicator / Pan recognition	■ / ■	
Childproof lock / Safety time switch off	■ / ■	
Pause function	-	
Countdown timer (Timer with automatic switch off for each zone)	■	
Count up timer	■	
Main on/off switch	■	
PERFORMANCE / TECHNICAL INFORMATION		
Maximum power output (W)	11,100	
Nominal voltage (V)	220-240	
Electrical cable length (cm)	110	
freeInduction zone - power (kW) / dimensions (mm)	-	
Rear left flexInduction zone - power (kW) / dimensions (mm)	2.20 200 x 240	
Rear left zone - power (kW) / diameter (mm)	-	
Rear right flexInduction zone - power (kW) / dimensions (mm)	2.20 200 x 240	
Rear right zone - power (kW) / diameter (mm)	-	
Rear centre zone - power (kW) / diameter (mm)	2.60 300 x 240	
Front centre zone - power (kW) / diameter (mm)	-	
Front left flexInduction zone - power (kW) / dimensions (mm)	2.20 200 x 240	
Front left zone - power (kW) / diameter (mm)	-	
Front right flexInduction zone - power (kW) / dimensions (mm)	2.20 200 x 240	
Front right zone - power (kW) / diameter (mm)	-	
flexInduction zone left - power (kW) / dimensions (mm)	3.30 400 x 240	
flexInduction zone right - power (kW) / dimensions (mm)	3.30 400 x 240	
Extended flexInduction rear left - power (kW) / dimensions (mm)	-	
Extended flexInduction rear right - power (kW) / dimensions (mm)	-	
combiZone left - power (kW) / dimensions (mm)	-	
combiZone right - power (kW) / dimensions (mm)	-	
freeInduction zone right - powerBoost (max. kW)	-	
Rear left zone / Rear right zone - with powerBoost (max. kW)	3.70 / 3.70	
Rear centre zone - with powerBoost (max. kW)	3.70	
Front left zone / Front right zone - with powerBoost (max. kW)	3.70 / 3.70	

■ Yes, model has this feature. - Feature not available for this model.
 All models comply with COMMISSION (EC) No. 1275/2008 with regard to ecodesign requirements for standby and off mode electric power consumption.
¹Max 3 sensors at any time. "Ready" identifies products with feature enabled, sensor available as additional purchase. If sensor is supplied, number supplied is detailed.
²On 60cm model, the single centre aux inductor can work only with either the left or right zones. On the 80cm models, there are two aux inductors, one allocated each to the left and right zones. No bridge is possible to use 2 aux zones together.
 Data valid in this table as of April 2024. Subject to modification without prior notice.



studioLine flexInduction hob specifications

APPLIANCE TYPE	FLEXINDUCTION HOB			
Design family	iQ700	iQ700	iQ700	iQ700
Model number	EX878LYV5E	EX977NXV6E	EX877NYV6E	EX677NYV6E
DESIGN				
Width (mm)	812	912	912	602
Control position / Control type	Front / Blue Dual lightSlider (zoneLight)	Front / Blue Dual lightSlider	Front / Blue Dual lightSlider	Front / Blue Dual lightSlider
Style	Black glass with blackSteel trim	Black glass with blackSteel trim	Black glass with blackSteel trim	Black glass with blackSteel trim
Domino compatible	-	-	-	-
KEY FEATURES				
Home Connect	■	■	■	■
cookConnect	■	■	■	■
cookingSensor Plus ready ¹	-	-	-	-
fryingSensor Plus settings for hob	5 levels	5 levels	5 levels	5 levels
Intelligent hood automatic	-	-	-	-
Favourite button	-	-	-	-
Number of freeInduction zones	-	-	-	-
Extended flexInduction zone ²	2	-	2	2
Number of flexInduction zones	2	3	2	2
Number of combiZones	-	-	-	-
activeLight	-	-	-	-
HOB FEATURES				
Number of individual zones / Power levels	4 / 17	5 / 17	4 / 17	4 / 17
powerBoost / powerMove Plus	■ / 3 steps	■ / 3 steps	■ / 3 steps	■ / 3 steps
panBoost	■	■	■	■
Adaptable volume / Energy consumption display	- / ■	- / ■	- / ■	- / ■
Keep warm function	■	■	■	■
quickStart / Quick stop (Quick switch-off)	■ / -	■ / -	■ / -	■ / -
flexMotion	■	Auto join/split & Transfer setting	Auto join/split & Transfer setting	Auto join/split & Transfer setting
reStart	■	■	■	■
Demo mode	■	■	■	■
Dish categories/setting recommendations	■	■	■	■
Wipe protection function (Control panel pause)	■	■	■	■
Plug&Play with GB plug	-	-	-	-
SAFETY FEATURES				
Residual heat indicator / Pan recognition	■ / ■	■ / ■	■ / ■	■ / ■
Childproof lock / Safety time switch off	■ / ■	■ / ■	■ / ■	■ / ■
Pause function	-	-	-	-
Countdown timer (Timer with automatic switch off for each zone)	■	■	■	■
Count up timer	■	■	■	■
Main on/off switch	■	■	■	■
PERFORMANCE / TECHNICAL INFORMATION				
Maximum power output (W)	7,400	11,100	7,400	7,400
Nominal voltage (V)	220-240	220-240	220-240	220-240
Electrical cable length (cm)	110	110	110	110
freeInduction zone - power (kW) / dimensions (mm)	-	-	-	-
Rear left flexInduction zone - power (kW) / dimensions (mm)	2.20 200 x 230	2.20 200 x 240	2.20 200 x 230	2.20 190 x 230
Rear left zone - power (kW) / diameter (mm)	-	-	-	-
Rear right flexInduction zone - power (kW) / dimensions (mm)	2.20 200 x 230	2.20 200 x 240	2.20 200 x 230	2.20 190 x 230
Rear right zone - power (kW) / diameter (mm)	-	-	-	-
Rear centre zone - power (kW) / diameter (mm)	-	2.60 300 x 240	-	-
Front centre zone - power (kW) / diameter (mm)	-	-	-	-
Front left flexInduction zone - power (kW) / dimensions (mm)	2.20 200 x 230	2.20 200 x 240	2.20 200 x 230	2.20 190 x 230
Front left zone - power (kW) / diameter (mm)	-	-	-	-
Front right flexInduction zone - power (kW) / dimensions (mm)	2.20 200 x 230	2.20 200 x 240	2.20 200 x 230	2.20 190 x 230
Front right zone - power (kW) / diameter (mm)	-	-	-	-
flexInduction zone left - power (kW) / dimensions (mm)	3.30 400 x 230	3.30 400 x 240	3.30 400 x 230	3.30 380 x 230
flexInduction zone right - power (kW) / dimensions (mm)	3.30 400 x 230	3.30 400 x 240	3.30 400 x 230	3.30 380 x 230
Extended flexInduction rear left - power (kW) / dimensions (mm)	3.30 300 x 300	-	3.30 300 x 300	3.30 300 x 300
Extended flexInduction rear right - power (kW) / dimensions (mm)	3.30 300 x 300	-	3.30 300 x 300	3.30 300 x 300
combiZone left - power (kW) / dimensions (mm)	-	-	-	-
combiZone right - power (kW) / dimensions (mm)	-	-	-	-
freeInduction zone right - powerBoost (max. kW)	-	-	-	-
Rear left zone / Rear right zone - with powerBoost (max. kW)	3.70 / 3.70	3.70 / 3.70	3.70 / 3.70	3.70 / 3.70
Rear centre zone - with powerBoost (max. kW)	3.70	3.70	-	-
Front left zone / Front right zone - with powerBoost (max. kW)	3.70 / 3.70	3.70 / 3.70	3.70 / 3.70	3.70 / 3.70



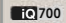


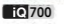


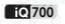
■ Yes, model has this feature. - Feature not available for this model.
 All models comply with COMMISSION (EC) No. 1275/2008 with regard to ecodesign requirements for standby and off mode electric power consumption.
¹Max 3 sensors at any time. "Ready" identifies products with feature enabled, sensor available as additional purchase. If sensor is supplied, number supplied is detailed.
²On 60cm model, the single centre aux inductor can work only with either the left or right zones. On the 80cm models, there are two aux inductors, one allocated each to the left and right zones. No bridge is possible to use 2 aux zones together.
 Data valid in this table as of April 2024. Subject to modification without prior notice.



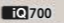


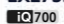


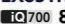



flexInduction hob product overview










2 year warranty
A two year warranty is available on all Siemens hobs listed in this brochure to protect against manufacturing and material faults during this warranty period.



Display type	flexInduction hob	flexInduction hob	flexInduction hob
	912mm	812mm	602mm
TFT Touchdisplay	 <p>EX975KXW1E*   Stainless Steel side trim</p> <ul style="list-style-type: none"> • 5 individual zones • 17 power levels • cookConnect • cookingSensor Plus ready • fryingSensor Plus (5 levels) • powerBoost • powerMove Plus (3 steps) • flexMotion • 3 flexInduction zones <p>*Seamless installation with LD98WMM60B with kit</p>		
TFT Control		 <p>EX875KYW1E   Stainless Steel side trim</p> <ul style="list-style-type: none"> • 4 individual zones • 17 power levels • cookConnect • cookingSensor Plus ready • fryingSensor Plus (5 levels) • powerBoost • powerMove Plus (3 steps) • flexMotion • 2 flexInduction zones • 2 extended flexInduction zones 	 <p>EX675JYW1E   Stainless Steel side trim</p> <ul style="list-style-type: none"> • 4 individual zones • 17 power levels • cookConnect • cookingSensor Plus ready • fryingSensor Plus (5 levels) • powerBoost • powerMove Plus (3 steps) • flexMotion • 2 flexInduction zones • 2 extended flexInduction zones
Dual lightSlider			
touchSlider			




flexInduction hob	flexInduction hob	flexInduction hob	flexInduction hob
912mm	912mm	802mm	592mm
 <p>EX975LVV1E*   Stainless Steel trim, front bevel</p> <ul style="list-style-type: none"> • 5 individual zones • 17 power levels • cookConnect • fryingSensor Plus (5 levels) • powerBoost • powerMove Plus (3 steps) • 2 flexInduction zones and 3 triple ring zones <p>*Seamless installation with LD98WMM60B with kit *Domino compatible</p>			
	 <p>EX275HXC1E   912mm Stainless Steel trim, front bevel</p> <ul style="list-style-type: none"> • 4 individual zones • 17 power levels • cookConnect • fryingSensor Plus (11 levels) • powerBoost • flexMotion • Favourite button 	 <p>EX851HVC1E   802mm U-Bevel</p> <ul style="list-style-type: none"> • 5 individual zones • 17 power levels • cookConnect • fryingSensor Plus (11 levels) • powerBoost • flexMotion • 1 flexInduction zone • Favourite button 	 <p>EX651HEC1E   592mm U-Bevel</p> <ul style="list-style-type: none"> • 4 individual zones • 17 power levels • cookConnect • fryingSensor Plus (11 levels) • powerBoost • flexMotion • 1 flexInduction zone • Favourite button

Induction hob product overview

Width	Induction hob	Induction hob	Induction hob
	touchSlider	touchSlider	touchSlider
802mm width	 <p>ED851HWB1E iQ500 U-Bevel</p> <ul style="list-style-type: none"> • 1 combiZone • 5 individual zones • 17 power levels • cookConnect • powerBoost • Favourite button • Intelligent hood automatic 	 <p>EH831HVB1E iQ100 Front bevel</p> <ul style="list-style-type: none"> • 5 individual zones • 17 power levels • cookConnect • powerBoost • Favourite button • Intelligent hood automatic 	
792mm width	 <p>EH801HVB1E iQ100 Flush fit</p> <ul style="list-style-type: none"> • 5 individual zones • 17 power levels • cookConnect • powerBoost • Favourite button • Intelligent hood automatic 		
592mm width	 <p>ED651HSB1E iQ500 U-Bevel</p> <ul style="list-style-type: none"> • 1 combiZone • 4 individual zones • 17 power levels • cookConnect • powerBoost • Favourite button • Intelligent hood automatic 	 <p>EH631HEB1E iQ500 Front bevel</p> <ul style="list-style-type: none"> • 4 individual zones • 17 power levels • cookConnect • powerBoost • Favourite button • Intelligent hood automatic 	 <p>EU611BEB5E iQ500 Frameless</p> <ul style="list-style-type: none"> • 4 individual zones • 17 power levels • powerBoost
572mm width	 <p>EH601HEB1E iQ100 Flush fit</p> <ul style="list-style-type: none"> • 4 individual zones • 17 power levels • cookConnect • powerBoost • Favourite button • Intelligent hood automatic 		



2 year warranty
A two year warranty is available on all Siemens hobs listed in this brochure to protect against manufacturing and material faults during this warranty period.

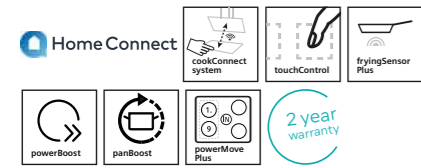
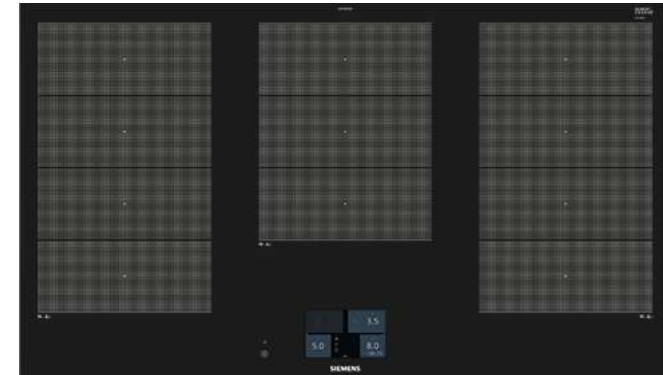
Induction hob	Induction hob	Domino induction hob
touchSlider	touchSlider	touchSlider
		 <p>EX375FXB1E iQ700 Stainless steel side trim with front bevel, ceramic glass</p> <ul style="list-style-type: none"> • 2 individual zones • 17 power levels • powerBoost
 <p>EU611BEB5B iQ100 Frameless</p> <ul style="list-style-type: none"> • 4 individual zones • 17 power levels • powerBoost • "Plug&Play" with GB Plug 	 <p>EU61RAGA5B iQ100 Frameless</p> <ul style="list-style-type: none"> • 4 individual zones • 9 power levels • powerBoost (rear left only) • "Plug&Play" with GB Plug 	

flexInduction hobs

iQ700 EX975KXW1E

flexInduction hob
Black glass

90cm



flexInduction hob specifications

APPLIANCE TYPE	FLEXINDUCTION HOB	
Design family	iQ700	
Model number	EX975KXW1E	
DESIGN		
Width (mm)	912	
Control position / Control type	Front / TFT touchDisplay	
Style	Stainless steel side trim	
Domino compatible	-	
KEY FEATURES		
Home Connect	■	
cookConnect	■	
cookingSensor Plus ready ¹	HZ39050 required	
fryingSensor Plus settings for hob	5 levels	
Intelligent hood automatic	-	
Favourite button	-	
Number of freeInduction zones	-	
Extended flexInduction zone ²	-	
Number of flexInduction zones	3	
Number of combiZones	-	
activeLight	-	
HOB FEATURES		
Number of individual zones / Power levels	5 / 17	
powerBoost / powerMove Plus	■ / 3 steps	
panBoost	■	
Adaptable volume / Energy consumption display	- / ■	
Keep warm function	■	
quickStart / Quick stop (Quick switch-off)	■ / -	
flexMotion	■	
reStart	■	
Demo mode	■	
Dish categories/setting recommendations	■	
Wipe protection function (Control panel pause)	■	
Plug&Play with GB plug	-	
SAFETY FEATURES		
Residual heat indicator / Pan recognition	■ / ■	
Childproof lock / Safety time switch off	■ / ■	
Pause function	-	
Countdown timer (Timer with automatic switch off for each zone)	■	
Count up timer	■	
Main on/off switch	■	
PERFORMANCE / TECHNICAL INFORMATION		
Maximum power output (W)	11,100	
Nominal voltage (V)	220-240	
Electrical cable length (cm)	110	
freeInduction zone - power (kW) / dimensions (mm)	-	
Rear left flexInduction zone - power (kW) / dimensions (mm)	2.20	200 x 240
Rear left zone - power (kW) / diameter (mm)	-	-
Rear right flexInduction zone - power (kW) / dimensions (mm)	2.20	200 x 240
Rear right zone - power (kW) / diameter (mm)	-	-
Rear centre zone - power (kW) / diameter (mm)	2.60	300 x 240
Front centre zone - power (kW) / diameter (mm)	-	-
Front left flexInduction zone - power (kW) / dimensions (mm)	2.20	200 x 240
Front left zone - power (kW) / diameter (mm)	-	-
Front right flexInduction zone - power (kW) / dimensions (mm)	2.20	200 x 240
Front right zone - power (kW) / diameter (mm)	-	-
flexInduction zone left - power (kW) / dimensions (mm)	3.30	400 x 240
flexInduction zone right - power (kW) / dimensions (mm)	3.30	400 x 240
Extended flexInduction rear left - power (kW) / dimensions (mm)	-	-
Extended flexInduction rear right - power (kW) / dimensions (mm)	-	-
combiZone left - power (kW) / dimensions (mm)	-	-
combiZone right - power (kW) / dimensions (mm)	-	-
freeInduction zone right - powerBoost (max. kW)	-	
Rear left zone / Rear right zone - with powerBoost (max. kW)	3.70 / 3.70	
Rear centre zone - with powerBoost (max. kW)	3.70	
Front left zone / Front right zone - with powerBoost (max. kW)	3.70 / 3.70	

■ Yes, model has this feature. - Feature not available for this model.
 All models comply with COMMISSION (EC) No. 1275/2008 with regard to ecodesign requirements for standby and off mode electric power consumption.
¹Max 3 sensors at any time. "Ready" identifies products with feature enabled, sensor available as additional purchase. If sensor is supplied, number supplied is detailed.
²On 60cm model, the single centre aux inductor can work only with either the left or right zones. On the 80cm models, there are two aux inductors, one allocated each to the left and right zones. No bridge is possible to use 2 aux zones together.
 Data valid in this table as of April 2024. Subject to modification without prior notice.



flexInduction hob specifications

APPLIANCE TYPE	FLEXINDUCTION HOB			
Design family	iQ700			
Model number	EX875KYW1E	EX675JYW1E	EX975LVW1E	
DESIGN				
Width (mm)	812	602	912	
Control position / Control type	Front / TFT Control	Front / TFT Control	Front / Dual lightSlider	
Style	Stainless steel side trim	Stainless steel side trim	Stainless steel side trims with front bevel	
Domino compatible	-	-	■	
KEY FEATURES				
Home Connect	■	■	■	
cookConnect	■	■	■	
cookingSensor Plus ready ¹	HZ39050 required	HZ39050 required	-	
fryingSensor Plus settings for hob	5 levels	5 levels	5 levels	
Intelligent hood automatic	-	-	-	
Favourite button	-	-	-	
Number of freeInduction zones	-	-	-	
Extended flexInduction zone ²	2	2	-	
Number of flexInduction zones	2	2	2+3 triple ring zone	
Number of combiZones	-	-	-	
activeLight	-	-	-	
HOB FEATURES				
Number of individual zones / Power levels	4 / 17	4 / 17	5 / 17	
powerBoost / powerMove Plus	■ / 3 steps	■ / 3 steps	■ / 3 steps	
panBoost	■	■	■	
Adaptable volume / Energy consumption display	- / ■	- / ■	- / ■	
Keep warm function	■	■	■	
quickStart / Quick stop (Quick switch-off)	■ / -	■ / -	■ / -	
flexMotion	■	■	-	
reStart	■	■	■	
Demo mode	■	■	■	
Dish categories/setting recommendations	■	■	■	
Wipe protection function (Control panel pause)	■	■	■	
Plug&Play with GB plug	-	-	-	
SAFETY FEATURES				
Residual heat indicator / Pan recognition	■ / ■	■ / ■	■ / ■	
Childproof lock / Safety time switch off	■ / ■	■ / ■	■ / ■	
Pause function	-	-	-	
Countdown timer (Timer with automatic switch off for each zone)	■	■	■	
Count up timer	■	■	■	
Main on/off switch	■	■	■	
PERFORMANCE / TECHNICAL INFORMATION				
Maximum power output (W)	7,400	7,400	11,100	
Nominal voltage (V)	220-240	220-240	220-240	
Electrical cable length (cm)	110	110	110	
freeInduction zone - power (kW) / dimensions (mm)	-	-	-	
Rear left flexInduction zone - power (kW) / dimensions (mm)	2.20	200 x 230	2.20	190 x 230
Rear left zone - power (kW) / diameter (mm)	-	-	-	
Rear right flexInduction zone - power (kW) / dimensions (mm)	2.20	200 x 230	2.20	190 x 230
Rear right zone - power (kW) / diameter (mm)	-	-	-	
Rear centre zone - power (kW) / diameter (mm)	-	-	-	
Front centre zone - power (kW) / diameter (mm)	-	-	2.2, 2.6, 3.3	
Front left flexInduction zone - power (kW) / dimensions (mm)	2.20	200 x 230	2.20	190 x 230
Front left zone - power (kW) / diameter (mm)	-	-	-	
Front right flexInduction zone - power (kW) / dimensions (mm)	2.20	200 x 230	2.20	190 x 230
Front right zone - power (kW) / diameter (mm)	-	-	-	
flexInduction zone left - power (kW) / dimensions (mm)	3.30	400 x 230	3.30	380 x 230
flexInduction zone right - power (kW) / dimensions (mm)	3.30	400 x 230	3.30	380 x 230
Extended flexInduction rear left - power (kW) / dimensions (mm)	3.30	300 x 300	3.30	300 x 300
Extended flexInduction rear right - power (kW) / dimensions (mm)	3.30	300 x 300	3.30	300 x 300
combiZone left - power (kW) / dimensions (mm)	-	-	-	
combiZone right - power (kW) / dimensions (mm)	-	-	-	
freeInduction zone right - powerBoost (max. kW)	-			
Rear left zone / Rear right zone - with powerBoost (max. kW)	3.70 / 3.70		3.70 / 3.70	
Rear centre zone - with powerBoost (max. kW)	-			
Front left zone / Front right zone - with powerBoost (max. kW)	3.70 / 3.70		3.70 / 3.70	

■ Yes, model has this feature. - Feature not available for this model.
 All models comply with COMMISSION (EC) No. 1275/2008 with regard to ecodesign requirements for standby and off mode electric power consumption.
¹Max 3 sensors at any time. "Ready" identifies products with feature enabled, sensor available as additional purchase. If sensor is supplied, number supplied is detailed.
²On 60cm model, the single centre aux inductor can work only with either the left or right zones. On the 80cm models, there are two aux inductors, one allocated each to the left and right zones. No bridge is possible to use 2 aux zones together.
 Data valid in this table as of April 2024. Subject to modification without prior notice.

flexInduction hob specifications

APPLIANCE TYPE	FLEXINDUCTION HOBS		
Design family	iQ700	iQ700	iQ700
Model number	EX275HXC1E	EX851HVC1E	EX651HEC1E
DESIGN			
Width (mm)	912	802	592
Control position / Control type	Front / touchSlider	Front / touchSlider	Front / touchSlider
Style	Stainless steel side trims with front bevel	U-bevel	U-bevel
Domino compatible	-	-	-
KEY FEATURES			
Home Connect	■	■	■
cookConnect	■	■	■
cookingSensor Plus ready ¹	-	-	-
fryingSensor Plus settings for hob	11 levels	11 levels	11 levels
Intelligent hood automatic	-	-	-
Favourite button	■	■	■
Number of freeInduction zones	■	■	■
Extended flexInduction zone ²	2	-	-
Number of flexInduction zones	-	1	1
Number of combiZones	-	-	-
activeLight	-	-	-
HOB FEATURES			
Number of individual zones / Power levels	4 / 17	5 / 17	4 / 17
powerBoost / powerMove Plus	■ / -	■ / -	■ / -
panBoost	via HC/Favourite Button a. sw upd.	via HC/Favourite Button a. sw upd.	via HC/Favourite Button a. sw upd.
Adaptable volume / Energy consumption display	■	■	■
Energy consumption display	-	-	-
Keep warm function	via HC/Favourite Button a. sw upd.	via HC/Favourite Button a. sw upd.	via HC/Favourite Button a. sw upd.
quickStart / Quick stop (Quick switch-off)	■ / -	■ / -	■ / -
flexMotion	■	■	■
reStart	■	■	■
Demo mode	■	■	■
Dish categories/setting recommendations	Via HC app a. sw upd.	Via HC app a. sw upd.	Via HC app a. sw upd.
Wipe protection function (Control panel pause)	-	-	-
"Plug&Play" with GB plug	-	-	-
SAFETY FEATURES			
Residual heat indicator / Pan recognition	■ / ■	■ / ■	■ / ■
Childproof lock / Safety time switch off	■ / ■	■ / ■	■ / ■
Pause function	■	■	■
Countdown timer (Timer with automatic switch off for each zone)	■	■	■
Count up timer	-	-	-
Main on/off switch	■	■	■
PERFORMANCE / TECHNICAL INFORMATION			
Maximum power output (W)	7,400	7,400	7,400
Nominal voltage (V)	220-240	220-240	220-240
Electrical cable length (cm)	110	110	110
freeInduction zone - power (kW) / dimensions (mm)	-	-	-
Rear left flexInduction zone - power (kW) / dimensions (mm)	2.20	200 x 210	2.20
Rear left zone - power (kW) / diameter (mm)	-	-	1.60
Rear right flexInduction zone - power (kW) / dimensions (mm)	2.20	200 x 210	2.20
Rear right zone - power (kW) / diameter (mm)	-	-	1.60
Rear centre zone - power (kW) / diameter (mm)	-	-	2.50
Front centre zone - power (kW) / diameter (mm)	-	-	-
Front left flexInduction zone - power (kW) / dimensions (mm)	2.20	200 x 210	2.20
Front left zone - power (kW) / diameter (mm)	-	-	2.00
Front right flexInduction zone - power (kW) / dimensions (mm)	2.20	200 x 210	2.20
Front right zone - power (kW) / diameter (mm)	-	-	2.50
flexInduction zone left - power (kW) / dimensions (mm)	3.30	400 x 210	3.30
flexInduction zone right - power (kW) / dimensions (mm)	3.30	400 x 210	3.30
Extended flexInduction rear left - power (kW) / dimensions (mm)	-	-	-
Extended flexInduction rear right - power (kW) / dimensions (mm)	-	-	-
combiZone left - power (kW) / dimensions (mm)	-	-	-
combiZone right - power (kW) / dimensions (mm)	-	-	-
freeInduction zone right - powerBoost (max. kW)	-	-	-
Rear left zone / Rear right zone - with powerBoost (max. kW)	3.70 / 3.70	2.20 / 3.70	3.70 / 2.20
Rear centre zone - with powerBoost (max. kW)	-	3.70	-
Front left zone / Front right zone - with powerBoost (max. kW)	3.70 / 3.70	3.10 / 3.70	3.70 / 3.70

■ Yes, model has this feature. - Feature not available for this model.
 All models comply with COMMISSION (EC) No. 1275/2008 with regard to ecodesign requirements for standby and off mode electric power consumption.
¹Max 3 sensors at any time. "Ready" identifies products with feature enabled, sensor available as additional purchase. If sensor is supplied, number supplied is detailed.
²On 60cm model, the single centre aux inductor can work only with either the left or right zones. On the 80cm models, there are two aux inductors, one allocated each to the left and right zones. No bridge is possible to use 2 aux zones together.
Data valid in this table as of April 2024. Subject to modification without prior notice.

Induction hobs

iQ500 ED851HWB1E

Induction hob Black glass 80cm



Home Connect

2 year warranty

- Combi-Zone
- cookConnect system
- touchSlider
- powerBoost
- Intelligent hood automatic

Induction hob specifications

APPLIANCE TYPE	INDUCTION HOB	
Design family	iQ500	
Model number	ED851HWB1E	
DESIGN		
Width (mm)	802	
Control position / Control type	Front / touchSlider	
Style	U-bevel	
Domino compatible	-	
KEY FEATURES		
Home Connect	■	
cookConnect	■	
cookingSensor Plus ready ¹	-	
fryingSensor Plus settings for hob	-	
Intelligent hood automatic	■	
Favourite button	■	
Number of freeInduction zones	-	
Extended flexInduction zone ²	-	
Number of flexInduction zones	-	
Number of combiZones	1	
activeLight	-	
HOB FEATURES		
Number of individual zones / Power levels	5 / 17	
powerBoost / powerMove Plus	■ / -	
panBoost	via HC/Favourite Button a. sw upd.	
Adaptable volume / Energy consumption display	■	
Energy consumption display	-	
Keep warm function	Via HC/Favourite Button a. sw upd.	
quickStart / Quick stop (Quick switch-off)	■ / -	
flexMotion	-	
reStart	■	
Demo mode	■	
Dish categories/setting recommendations	-	
Wipe protection function (Control panel pause)	-	
"Plug&Play" with GB plug	-	
SAFETY FEATURES		
Residual heat indicator / Pan recognition	■ / ■	
Childproof lock / Safety time switch off	■ / ■	
Pause function	■	
Countdown timer (Timer with automatic switch off for each zone)	■	
Count up timer	-	
Main on/off switch	■	
PERFORMANCE / TECHNICAL INFORMATION		
Maximum power output (W)	7,400	
Nominal voltage (V)	220-240	
Electrical cable length (cm)	110	
freeInduction zone - power (kW) / dimensions (mm)	-	
Rear left flexInduction zone - power (kW) / dimensions (mm)	-	
Rear left zone - power (kW) / diameter (mm)	1.60	
Rear right flexInduction zone - power (kW) / dimensions (mm)	-	
Rear right zone - power (kW) / diameter (mm)	2.50	
Rear centre zone - power (kW) / diameter (mm)	2.50	
Front centre zone - power (kW) / diameter (mm)	-	
Front left flexInduction zone - power (kW) / dimensions (mm)	-	
Front left zone - power (kW) / diameter (mm)	2.00	
Front right flexInduction zone - power (kW) / dimensions (mm)	-	
Front right zone - power (kW) / diameter (mm)	2.50	
flexInduction zone left - power (kW) / dimensions (mm)	-	
flexInduction zone right - power (kW) / dimensions (mm)	-	
Extended flexInduction rear left - power (kW) / dimensions (mm)	-	
Extended flexInduction rear right - power (kW) / dimensions (mm)	-	
combiZone left - power (kW) / dimensions (mm)	-	
combiZone right - power (kW) / dimensions (mm)	3.30	
freeInduction zone right - powerBoost (max. kW)	-	
Rear left zone / Rear right zone - with powerBoost (max. kW)	2.20 / 3.70	
Rear centre zone - with powerBoost (max. kW)	3.70	
Front left zone / Front right zone - with powerBoost (max. kW)	3.10 / 3.70	

■ Yes, model has this feature. - Feature not available for this model.
 All models comply with COMMISSION (EC) No. 1275/2008 with regard to ecodesign requirements for standby and off mode electric power consumption.
¹Max 3 sensors at any time. "Ready" identifies products with feature enabled, sensor available as additional purchase. If sensor is supplied, number supplied is detailed.
²On 60cm model, the single centre aux inductor can work only with either the left or right zones. On the 80cm models, there are two aux inductors, one allocated each to the left and right zones. No bridge is possible to use 2 aux zones together.
Data valid in this table as of April 2024. Subject to modification without prior notice.



Induction hob specifications

APPLIANCE TYPE	INDUCTION HOBS							
Design family	IQ 500		IQ 100		IQ 100		IQ 100	
Model number	ED651HSB1E		EH801HV81E		EH601HEB1E		EH831HV81E	
DESIGN								
Width (mm)	592		792		572		802	
Control position / Control type	Front / touchSlider		Front / touchSlider		Front / touchSlider		Front / touchSlider	
Style	U-bevel		Flush fit		Flush fit		Front bevel	
Domino compatible	-		-		-		-	
KEY FEATURES								
Home Connect	■		■		■		■	
cookConnect	■		■		■		■	
cookingSensor Plus ready ¹	-		-		-		-	
fryingSensor Plus settings for hob	-		-		-		-	
Intelligent hood automatic	■		■		■		■	
Favourite button	■		■		■		■	
Number of freeInduction zones	-		-		-		-	
Extended flexInduction zone ²	-		-		-		-	
Number of flexInduction zones	-		-		-		-	
Number of combiZones	1		-		-		-	
activeLight	-		-		-		-	
HOB FEATURES								
Number of individual zones / Power levels	4 / 17		5 / 17		4 / 17		5 / 17	
powerBoost / powerMove Plus	■ / -		■ / -		■ / -		■ / -	
panBoost	via HC/Favourite Button a. sw upd.		via HC/Favourite Button a. sw upd.		via HC/Favourite Button a. sw upd.		via HC/Favourite Button a. sw upd.	
Adaptable volume / Energy consumption display	■ / -		■ / -		■ / -		■ / -	
Keep warm function	via HC/Favourite Button a. sw upd.		via HC/Favourite Button a. sw upd.		via HC/Favourite Button a. sw upd.		via HC/Favourite Button a. sw upd.	
quickStart / Quick stop (Quick switch-off)	■ / -		■ / -		■ / -		■ / -	
flexMotion	-		-		-		-	
reStart	■		■		■		■	
Demo mode	■		■		■		■	
Dish categories/setting recommendations	-		-		-		-	
Wipe protection function (Control panel pause)	-		-		-		-	
"Plug&Play" with GB plug	-		-		-		-	
SAFETY FEATURES								
Residual heat indicator / Pan recognition	■ / ■		■ / ■		■ / ■		■ / ■	
Childproof lock / Safety time switch off	■ / ■		■ / ■		■ / ■		■ / ■	
Pause function	■		■		■		■	
Countdown timer (Timer with automatic switch off for each zone)	■		■		■		■	
Count up timer	-		-		-		-	
Main on/off switch	■		■		■		■	
PERFORMANCE / TECHNICAL INFORMATION								
Maximum power output (W)	6,900		7,400		7,400		7,400	
Nominal voltage (V)	220-240		220-240		220-240		220-240	
Electrical cable length (cm)	110		110		110		110	
freeInduction zone - power (kW) / dimensions (mm)	-		-		-		-	
Rear left flexInduction zone - power (kW) / dimensions (mm)	-		-		-		-	
Rear left zone - power (kW) / diameter (mm)	2.50	190 x 210	1.60	145	2.00	180	1.60	145
Rear right flexInduction zone - power (kW) / dimensions (mm)	-		-		-		-	
Rear right zone - power (kW) / diameter (mm)	1.60	145	1.60	145	1.60	145	1.60	145
Rear centre zone - power (kW) / diameter (mm)	-		2.50	240	-		2.20	240
Front centre zone - power (kW) / diameter (mm)	-		-		-		-	
Front left flexInduction zone - power (kW) / dimensions (mm)	-		-		-		-	
Front left zone - power (kW) / diameter (mm)	2.50	190 x 210	2.00	180	2.00	180	2.00	180
Front right flexInduction zone - power (kW) / dimensions (mm)	-		-		-		-	
Front right zone - power (kW) / diameter (mm)	2.00	180	2.50	210	2.50	210	2.50	210
flexInduction zone left - power (kW) / dimensions (mm)	-		-		-		-	
flexInduction zone right - power (kW) / dimensions (mm)	-		-		-		-	
Extended flexInduction rear left - power (kW) / dimensions (mm)	-		-		-		-	
Extended flexInduction rear right - power (kW) / dimensions (mm)	-		-		-		-	
combiZone left - power (kW) / dimensions (mm)	3.60	380 x 210	-		-		-	
combiZone right - power (kW) / dimensions (mm)	-		-		-		-	
freeInduction zone right - powerBoost (max. kW)	-		-		-		-	
Rear left zone / Rear right zone - with powerBoost (max. kW)	3.70 / 2.20		2.20 / 2.20		3.10 / 2.20		2.20 / 2.20	
Rear centre zone - with powerBoost (max. kW)	-		3.70		-		3.70	
Front left zone / Front right zone - with powerBoost (max. kW)	3.70 / 3.10		3.10 / 3.70		3.10 / 3.70		3.10 / 3.70	

■ Yes, model has this feature. - Feature not available for this model.
 All models comply with COMMISSION (EC) No. 1275/2008 with regard to ecodesign requirements for standby and off mode electric power consumption.
¹Max 3 sensors at any time. "Ready" identifies products with feature enabled, sensor available as additional purchase. If sensor is supplied, number supplied is detailed.
²On 60cm model, the single centre aux inductor can work only with either the left or right zones. On the 80cm models, there are two aux inductors, one allocated each to the left and right zones.
 No bridge is possible to use 2 aux zones together.
Data valid in this table as of April 2024. Subject to modification without prior notice.

Induction hob specifications



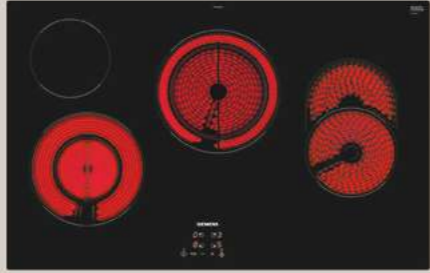
APPLIANCE TYPE	INDUCTION HOBS							
Design family	IQ 100		IQ 100		IQ 100		IQ 100	
Model number	EH631HEB1E		EU611BEB5E		EU611BEB5B		EU61RAGA5B	
DESIGN								
Width (mm)	592		592		592		592	
Control position / Control type	Front / touchSlider		Front / touchSlider		Front / touchSlider		Front / touchSlider	
Style	Front bevel		Frameless		Frameless		Frameless	
Domino compatible	-		-		-		-	
KEY FEATURES								
Home Connect	■		-		-		-	
cookConnect	■		-		-		-	
cookingSensor Plus ready ¹	-		-		-		-	
fryingSensor Plus settings for hob	-		-		-		-	
Intelligent hood automatic	■		-		-		-	
Favourite button	■		-		-		-	
Number of freeInduction zones	-		-		-		-	
Extended flexInduction zone ²	-		-		-		-	
Number of flexInduction zones	-		-		-		-	
Number of combiZones	-		-		-		-	
activeLight	-		-		-		-	
HOB FEATURES								
Number of individual zones / Power levels	4 / 17		4 / 17		4 / 17		4 / 9	
powerBoost / powerMove Plus	■ / -		■ / -		■ / -		Rear left only / -	
panBoost	via HC/Favourite Button a. sw upd.		-		-		-	
Adaptable volume / Energy consumption display	■ / -		- / -		- / -		- / -	
Keep warm function	via HC/Favourite Button a. sw upd.		-		-		-	
quickStart / Quick stop (Quick switch-off)	■ / -		■ / ■		■ / ■		■ / ■	
flexMotion	-		-		-		-	
reStart	■		■		■		-	
Demo mode	■		-		-		-	
Dish categories/setting recommendations	-		-		-		-	
Wipe protection function (Control panel pause)	-		-		-		-	
"Plug&Play" with GB plug	-		-		■		■	
SAFETY FEATURES								
Residual heat indicator / Pan recognition	■ / ■		■ / ■		■ / ■		■ / ■	
Childproof lock / Safety time switch off	■ / ■		■ / ■		■ / ■		■ / ■	
Pause function	■		-		-		-	
Countdown timer (Timer with automatic switch off for each zone)	■		■		■		-	
Count up timer	-		-		-		-	
Main on/off switch	■		■		■		■	
PERFORMANCE / TECHNICAL INFORMATION								
Maximum power output (W)	7,400		4,600		3,700		3,700	
Nominal voltage (V)	220-240		220-240		220-240		220-240	
Electrical cable length (cm)	110		110		110		110	
freeInduction zone - power (kW) / dimensions (mm)	-		-		-		-	
Rear left flexInduction zone - power (kW) / dimensions (mm)	-		-		-		-	
Rear left zone - power (kW) / diameter (mm)	2.00	180	1.80	180	1.80	180	1.80	180
Rear right flexInduction zone - power (kW) / dimensions (mm)	-		-		-		-	
Rear right zone - power (kW) / diameter (mm)	1.60	145	1.40	145	1.40	145	1.40	145
Rear centre zone - power (kW) / diameter (mm)	-		-		-		-	
Front centre zone - power (kW) / diameter (mm)	-		-		-		-	
Front left flexInduction zone - power (kW) / dimensions (mm)	-		-		-		-	
Front left zone - power (kW) / diameter (mm)	2.00	180	1.80	180	1.80	180	1.40	145
Front right flexInduction zone - power (kW) / dimensions (mm)	-		-		-		-	
Front right zone - power (kW) / diameter (mm)	2.50	210	2.20	210	2.20	210	1.80	180
flexInduction zone left - power (kW) / dimensions (mm)	-		-		-		-	
flexInduction zone right - power (kW) / dimensions (mm)	-		-		-		-	
Extended flexInduction rear left - power (kW) / dimensions (mm)	-		-		-		-	
Extended flexInduction rear right - power (kW) / dimensions (mm)	-		-		-		-	
combiZone left - power (kW) / dimensions (mm)	-		-		-		-	
combiZone right - power (kW) / dimensions (mm)	-		-		-		-	
freeInduction zone right - powerBoost (max. kW)	-		-		-		-	
Rear left zone / Rear right zone - with powerBoost (max. kW)	3.10 / 2.20		3.10 / 2.20		3.10 / 2.20		3.10 / -	
Rear centre zone - with powerBoost (max. kW)	-		-		-		-	
Front left zone / Front right zone - with powerBoost (max. kW)	3.10 / 3.70		3.10 / 3.70		3.10 / 3.70		- / -	


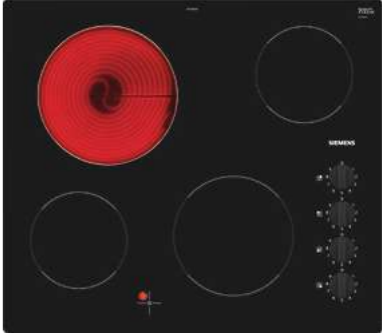
■ Yes, model has this feature. - Feature not available for this model.
 All models comply with COMMISSION (EC) No. 1275/2008 with regard to ecodesign requirements for standby and off mode electric power consumption.
¹Max 3 sensors at any time. "Ready" identifies products with feature enabled, sensor available as additional purchase. If sensor is supplied, number supplied is detailed.
²On 60cm model, the single centre aux inductor can work only with either the left or right zones. On the 80cm models, there are two aux inductors, one allocated each to the left and right zones.
 No bridge is possible to use 2 aux zones together.
Data valid in this table as of April 2024. Subject to modification without prior notice.

quickLite ceramic hob product overview



2 year warranty
A two year warranty is available on all Siemens hobs listed in this brochure to protect against manufacturing and material faults during this warranty period.

Display type	quickLite ceramic hob
touchControl	<p>802mm</p>  <p>ET81RBHA1D ■ IQ300 Frameless</p> <ul style="list-style-type: none"> • 4 individual zones • 2 dual zones • 2 extendable zones • 17 power levels • Front control
Control dials	

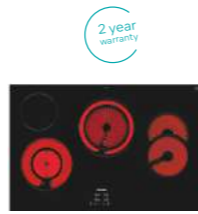
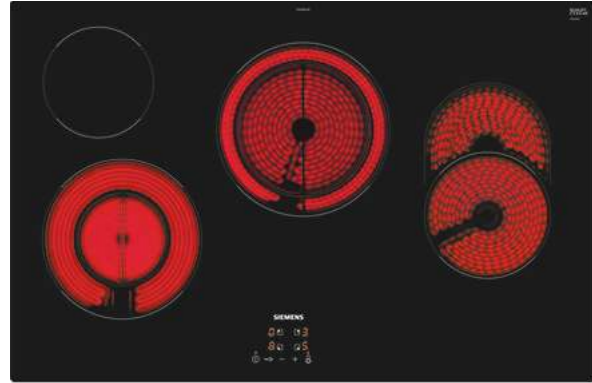
quickLite ceramic hob	quickLite ceramic hob
<p>592mm</p>  <p>ET61RBEA1E ■ IQ100 Frameless</p> <ul style="list-style-type: none"> • 4 individual zones • 17 power levels • Front control 	<p>592mm</p>  <p>ET61RCEA1E ■ IQ100 Frameless</p> <ul style="list-style-type: none"> • 4 individual zones • 9 power levels • Side control

quickLite ceramic hobs

iQ 300 ET81RBHA1D

Ceramic hob
Black glass

80cm

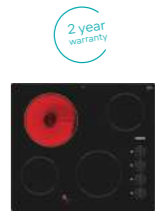
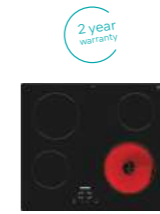


quickLite ceramic hob specifications

APPLIANCE TYPE		QUICKLITE CERAMIC HOB	
Design family		iQ 300	
Model number		ET81RBHA1D	
DESIGN			
Width (mm)		802	
Control position		Front	
Control type		touchControl	
Style		Frameless	
KEY FEATURES			
Number of individual zones		4	
Number of dual zones		2	
Number of extendable zones		2	
powerBoost		-	
Power levels		17	
Digital display		■	
Quick Stop (Quick switch-off)		■	
Restart function		■	
Energy consumption display		-	
Demo Mode		■	
Keep warm function		-	
"Plug&Play" with GB Plug		-	
Wipe protection function		-	
SAFETY FEATURES			
Residual heat indicator		■	
Childproof lock		■	
Timed safety switch off		■	
Countdown timer		-	
Count up timer		-	
Main on/off switch		■	
PERFORMANCE / TECHNICAL INFORMATION			
Maximum power output (W)		7,400	
Nominal voltage (V)		220-240	
Electrical cable length (cm)		N/A on CMD	
Rear left zone – power (kW) / diameter (mm)		1.20	145
Rear right zone – power (kW) / diameter (mm)		-	-
Rear centre zone – power (kW) / diameter (mm)		1.50	180 (230)
Front left zone – power (kW) / diameter (mm)		0.75	120 (210)
Front right zone – power (kW) / diameter (mm)		1.80	170 (265)
Rear left zone dual-power – power (kW) / diameter (mm)		-	-
Rear right zone dual-power – power (kW) / diameter (mm)		-	-
Rear centre zone dual-power – power (kW) / diameter (mm)		2.40	230
Front left zone dual-power – power (kW) / diameter (mm)		2.20	210
Front right zone dual-power – power (kW) / diameter (mm)		2.60	265
OPTIONAL ACCESSORIES			
Cast iron non-stick frying pan		HZ9FE280	
Set of three pans		HZ9SE030	

■ Yes, model has this feature. – Feature not available for this model.
All models comply with COMMISSION (EC) No. 1275/2008 with regard to ecodesign requirements for standby and off mode electric power consumption.
Data valid in this table as of April 2024. Subject to modification without prior notice.

quickLite ceramic hob specifications



APPLIANCE TYPE		iQ 100		iQ 100	
Design family		ET61RBEA1E		ET61RCEA1E	
Model number		ET61RBEA1E		ET61RCEA1E	
DESIGN					
Width (mm)		592		592	
Control position		Front		Side	
Control type		touchControl		Control dials	
Style		Frameless		Frameless	
KEY FEATURES					
Number of individual zones		4		4	
Number of dual zones		-		-	
Number of extendable zones		-		-	
powerBoost		-		-	
Power levels		17		9	
Digital display		■		-	
Quick Stop (Quick switch-off)		■		-	
Restart function		■		-	
Energy consumption display		-		-	
Demo Mode		■		-	
Keep warm function		-		-	
"Plug&Play" with GB Plug		-		-	
Wipe protection function		-		-	
SAFETY FEATURES					
Residual heat indicator		■		■	
Childproof lock		■		-	
Timed safety switch off		-		-	
Countdown timer		-		-	
Count up timer		-		-	
Main on/off switch		■		-	
PERFORMANCE / TECHNICAL INFORMATION					
Maximum power output (W)		6,600		6,600	
Nominal voltage (V)		220-240		220-240	
Electrical cable length (cm)		N/A		N/A	
Rear left zone – power (kW) / diameter (mm)		2.00	180	2.20	210
Rear right zone – power (kW) / diameter (mm)		1.20	145	1.20	145
Rear centre zone – power (kW) / diameter (mm)		-	-	-	-
Front left zone – power (kW) / diameter (mm)		1.20	145	1.20	145
Front right zone – power (kW) / diameter (mm)		2.20	210	2.00	180
Rear left zone dual-power – power (kW) / diameter (mm)		-	-	-	-
Rear right zone dual-power – power (kW) / diameter (mm)		-	-	-	-
Rear centre zone dual-power – power (kW) / diameter (mm)		-	-	-	-
Front left zone dual-power – power (kW) / diameter (mm)		-	-	-	-
Front right zone dual-power – power (kW) / diameter (mm)		-	-	-	-
OPTIONAL ACCESSORIES					
Cast iron non-stick frying pan		HZ9FE280		HZ9FE280	
Set of three pans		HZ9SE030		HZ9SE030	

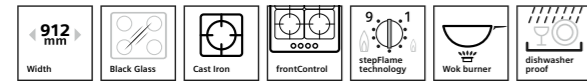
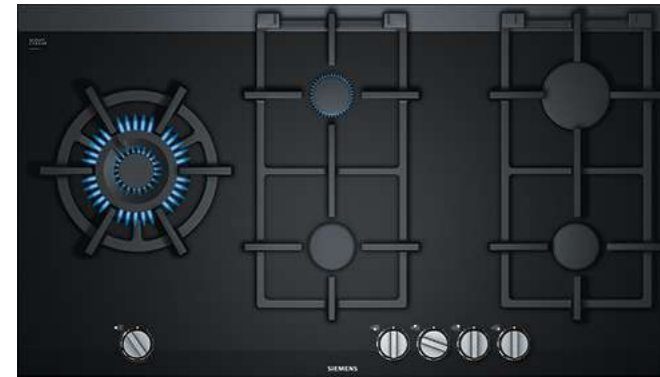
■ Yes, model has this feature. – Feature not available for this model.
All models comply with COMMISSION (EC) No. 1275/2008 with regard to ecodesign requirements for standby and off mode electric power consumption.
Data valid in this table as of April 2024. Subject to modification without prior notice.

Gas hobs

iQ 700 ER9A6SB70

Gas hob
Black ceramic glass

90cm



2 year warranty

Gas hob specifications

APPLIANCE TYPE		GAS HOB	
Design family		iQ 700	
Model number		ER9A6SB70	
Stainless steel		-	
Black		■	
DESIGN			
Hob surface type		Ceramic glass	
Width (mm)		912	
Control position		Front	
Comfort Profile		■	
Can be combined with other models with Comfort Profile		■	
Installation flush with work top possible		-	
Domino compatible		■	
KEY FEATURES			
stepFlame Technology		■	
Digital power level display		■	
Number of dual circuit wok style burners ¹		1	
High power (5.0kW+) wok burner ²		■	
Dual control wok burner ³		■	
FEATURES			
Number of cooking zones		5	
Individual power levels		9	
Variable power levels		-	
Cast iron pan supports (number)		3	
Cast iron finish pan supports (number)		-	
Dishwasher safe pan supports ⁴		■	
Low profile single piece burners		■	
Two piece burners		-	
SAFETY FEATURES			
Ignition via control dials		■	
Flame failure safety device		■	
PERFORMANCE / TECHNICAL INFORMATION			
Maximum gas power output load (A)		13,800	
Nominal voltage (V)		220-240	
Total connected electrical load (max. W)		1.1	
Cable length (cm)		150	
GB plug		-	
Left burner power (kW)		6.10	
Front left burner power (kW)		-	
Rear left burner power (kW)		-	
Centre/Centre front burner power (kW)		1.90	
Centre back burner power (kW)		1.10	
Rear right burner power (kW)		2.80	
Front right burner power (kW)		1.90	
Right burner power (kW)		-	
Pre-set for natural gas		■	
CE Marked		■	
STANDARD ACCESSORIES			
Wok stand ⁵		■	
LPG jets		28-30 / 37mbar	

■ Yes, model has this feature. - Feature not available for this model.
All models comply with COMMISSION (EC) No. 1275/2008 with regard to ecodesign requirements for standby and off mode electric power consumption.

¹Dual circuit means standard outer flame ring plus 2nd inner flame ring.
²High power output for rapid heating – especially valuable for flash and wok frying.
³Dual control means the inner and outer rings of a dual circuit burner can be controlled independently.
⁴Pan supports can be cleaned in the dishwasher. Supports have special additional coating and hand finishing of enamel.
⁵For round based pans.

Data valid in this table as of April 2024. Subject to modification without prior notice.

Gas hob specifications

APPLIANCE TYPE		GAS HOBS		
Design family		iQ 500		
Model number		EP9A6SB90		
Stainless steel		-		
Black		■		
DESIGN				
Hob surface type		Tempered glass		
Width (mm)		915		
Control position		Front		
Comfort Profile		-		
Can be combined with other models with Comfort Profile		-		
Installation flush with work top possible		■		
Domino compatible		-		
KEY FEATURES				
stepFlame Technology controls		■		
Digital power level display		-		
Number of dual circuit wok style burners ¹		1		
High power (5.0kW+) wok burner ²		-		
Dual control wok burner ³		■		
FEATURES				
Number of cooking zones		5		
Individual power levels		9		
Variable power levels		-		
Cast iron pan supports (number)		5		
Cast iron finish pan supports (number)		-		
Dishwasher safe pan supports ⁴		-		
Low profile single piece burners		-		
Two piece burners		■		
SAFETY FEATURES				
Ignition via control dials		■		
Flame failure safety device		■		
PERFORMANCE / TECHNICAL INFORMATION				
Maximum gas power output load (A)		11,500		
Nominal voltage (V)		220-240		
Total connected electrical load (max. W)		1.1		
Cable length (cm)		100		
GB plug		-		
Left burner power (kW)		4.00		
Front left burner power (kW)		-		
Rear left burner power (kW)		1.75		
Centre/Centre front burner power (kW)		4.00		
Centre back burner power (kW)		-		
Rear right burner power (kW)		3.00		
Front right burner power (kW)		1.75		
Right burner power (kW)		-		
Pre-set for natural gas		■		
CE Marked		■		
STANDARD ACCESSORIES				
Wok stand ⁵		-		
LPG jets		28-30 / 37mbar		

■ Yes, model has this feature. - Feature not available for this model.
All models comply with COMMISSION (EC) No. 1275/2008 with regard to ecodesign requirements for standby and off mode electric power consumption.

¹Dual circuit means standard outer flame ring plus 2nd inner flame ring.
²High power output for rapid heating – especially valuable for flash and wok frying.
³Dual control means the inner and outer rings of a dual circuit burner can be controlled independently.
⁴Pan supports can be cleaned in the dishwasher. Supports have special additional coating and hand finishing of enamel.
⁵For round based pans.

Data valid in this table as of April 2024. Subject to modification without prior notice.

Gas hob specifications



APPLIANCE TYPE	GAS HOBS		
Design family	IQ500	IQ300	IQ300
Model number	EC7A5R890	EG785QB90	EG685PB90
	Stainless steel	■	■
	Black	-	-
DESIGN			
Hob surface type	Metal	Metal	Metal
Width (mm)	750	750	580
Control position	Front	Front	Front
Comfort Profile	-	-	-
Can be combined with other models with Comfort Profile	-	-	-
Installation flush with work top possible	-	-	-
Domino compatible	-	-	-
KEY FEATURES			
stepFlame Technology controls	■	-	-
Digital power level display	-	-	-
Number of dual circuit wok style burners ¹	1	1	-
High power (5.0kW+) wok burner ²	-	-	-
Dual control wok burner ³	■	■	-
FEATURES			
Number of cooking zones	5	5	4
Individual power levels	9	-	-
Variable power levels	-	■	■
Cast iron pan supports (number)	3	3	-
Cast iron finish pan supports (number)	-	-	2
Dishwasher safe pan supports ⁴	-	-	-
Low profile single piece burners	-	-	-
Two piece burners	■	■	■
SAFETY FEATURES			
Ignition via control dials	■	■	■
Flame failure safety device	■	■	■
PERFORMANCE / TECHNICAL INFORMATION			
Maximum gas power output load (A)	11,500	10,800	7,500
Nominal voltage (V)	220-240	220-240	220-240
Total connected electrical load (max. W)	1.1	1.1	1.1
Cable length (cm)	100	150	100
GB plug	-	-	-
Left burner power (kW)	-	-	-
Front left burner power (kW)	1.00	1.00	1.75
Rear left burner power (kW)	1.75	1.75	1.75
Centre/Centre front burner power (kW)	5.00	3.30	-
Centre back burner power (kW)	-	-	-
Rear right burner power (kW)	3.00	3.00	3.00
Front right burner power (kW)	1.75	1.75	1.00
Right burner power (kW)	-	-	-
Pre-set for natural gas	■	■	■
CE Marked	■	■	■
STANDARD ACCESSORIES			
Wok stand ⁵	-	-	-
LPG jets	28-30 / 37mbar	28-30 / 37mbar	28-30 / 37mbar

■ Yes, model has this feature. – Feature not available for this model.
All models comply with COMMISSION (EC) No. 1275/2008 with regard to ecodesign requirements for standby and off mode electric power consumption.

¹Dual circuit means standard outer flame ring plus 2nd inner flame ring.
²High power output for rapid heating – especially valuable for flash and wok frying.
³Dual control means the inner and outer rings of a dual circuit burner can be controlled independently.
⁴Pan supports can be cleaned in the dishwasher. Supports have special additional coating and hand finishing of enamel.
⁵For round based pans.

Data valid in this table as of April 2024. Subject to modification without prior notice.

Gas hob specifications



APPLIANCE TYPE	GAS HOB
Design family	IQ100
Model number	EB685PB60
	Stainless steel
	Black
	■
	-
DESIGN	
Hob surface type	Metal
Width (mm)	580
Control position	Right side
Comfort Profile	-
Can be combined with other models with Comfort Profile	-
Installation flush with work top possible	-
Domino compatible	-
KEY FEATURES	
stepFlame Technology controls	-
Digital power level display	-
Number of dual circuit wok style burners ¹	-
High power (5.0kW+) wok burner ²	-
Dual control wok burner ³	-
FEATURES	
Number of cooking zones	4
Individual power levels	-
Variable power levels	■
Cast iron pan supports (number)	-
Cast iron finish pan supports (number)	2
Dishwasher safe pan supports ⁴	-
Low profile single piece burners	-
Two piece burners	■
SAFETY FEATURES	
Ignition via control dials	■
Flame failure safety device	■
PERFORMANCE / TECHNICAL INFORMATION	
Maximum gas power output load (A)	7,400
Nominal voltage (V)	220-240
Total connected electrical load (max. W)	0.8
Cable length (cm)	100
GB plug	-
Left burner power (kW)	-
Front left burner power (kW)	3.00
Rear left burner power (kW)	1.70
Centre/Centre front burner power (kW)	-
Centre back burner power (kW)	-
Rear right burner power (kW)	1.70
Front right burner power (kW)	1.00
Right burner power (kW)	-
Pre-set for natural gas	■
CE Marked	■
STANDARD ACCESSORIES	
Wok stand ⁵	-
LPG jets	28-30 / 37mbar

■ Yes, model has this feature. – Feature not available for this model.
All models comply with COMMISSION (EC) No. 1275/2008 with regard to ecodesign requirements for standby and off mode electric power consumption.

¹Dual circuit means standard outer flame ring plus 2nd inner flame ring.
²High power output for rapid heating – especially valuable for flash and wok frying.
³Dual control means the inner and outer rings of a dual circuit burner can be controlled independently.
⁴Pan supports can be cleaned in the dishwasher. Supports have special additional coating and hand finishing of enamel.
⁵For round based pans.

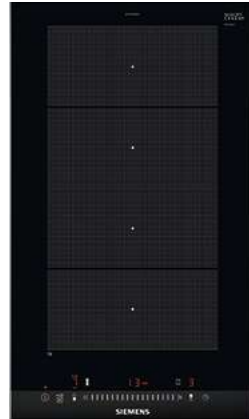
Data valid in this table as of April 2024. Subject to modification without prior notice.

Domino hobs

iQ700 ET475FYB1E

flexInduction domino hob
Stainless steel

40cm



Domino flexInduction hob specifications

APPLIANCE TYPE	FLEXINDUCTION DOMINO HOB	
Design family	iQ700	
Model number	EX375FYB1E	
DESIGN		
Hob surface type	Ceramic glass	
Width (mm)	392	
Control position	Front	
Control type	touchSlider	
Style	S/steel side trim with front bevel	
KEY FEATURES		
Home Connect	-	
Hob hood control	-	
perfectCook temperature sensor ready	-	
perfectFry Sensor settings	-	
Extended flexInduction zone	-	
Number of flexInduction zones	-	
Number of combiZones	-	
HOB FEATURES		
Number of individual zones	2	
Power Levels	17	
powerBoost	■	
panBoost	-	
MoveMode	-	
Energy consumption display	■	
Keep warm function	-	
Quick start function	■	
Restart function	■	
Automatic setting transfer	-	
Dish categories	-	
"Plug&Play" with GB Plug	-	
Wipe protection function	■	
SAFETY FEATURES		
Residual heat indicator	■	
Childproof lock	■	
Switch off timer	■	
Safety time switch off	■	
Countdown timer	■	
Count up timer	■	
Pan recognition	■	
Main on/off switch	■	
PERFORMANCE / TECHNICAL INFORMATION		
Maximum power output (W)	3,700	
Nominal voltage (V)	220-240	
Electrical cable length (cm)	110	
Rear centre zone – power (kW) / diameter (mm)	2.20	210x200
Front centre zone – power (kW) / diameter (mm)	2.20	210x200
Middle centre zone – power (kW) / diameter (mm)	-	
Rear centre zone – with powerBoost (max. kW)	3.70	
Front centre zone – with powerBoost (max. kW)	3.70	
Middle centre zone - with powerBoost (max. kW)	-	
OPTIONAL ACCESSORIES		
Connecting link for use with side trim hobs	HZ394301	
Set of three pans	HZ95E030	
Four piece pan set	HZ95E040	
Six piece pan set	HZ95E060	
Cast Iron non-stick frying pan, base diameter 185mm	HZ9FE281	
Griddle plate, approx. 40x20 cm for use with Flex Induction	HZ390522	
Teppan yaki, approx. 40x20 cm for use with Flex Induction	HZ390512	
Oval roasting dish with lid for use with induction hobs	HZ390011	
Steamer insert for use with HZ390011 roasting dish	HZ390012	

■ Yes, model has this feature. – Feature not available for this model.
 All models comply with COMMISSION (EC) No. 1275/2008 with regard to ecodesign requirements for standby and off mode electric power consumption.
¹Dual circuit means standard outer flame ring plus 2nd inner flame ring.
²High power output for rapid heating – especially valuable for flash and wok frying.
³Dual control means the inner and outer rings of a dual circuit burner can be controlled independently.
⁴Pan supports can be cleaned in the dishwasher. Supports have special additional coating and hand finishing of enamel.
⁵For round based pans.
Data valid in this table as of April 2024. Subject to modification without prior notice.

Domino gas hob specifications

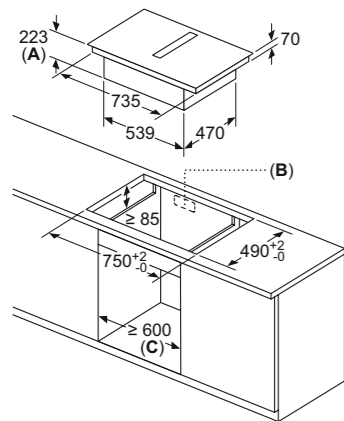


APPLIANCE TYPE	WOK DOMINO GAS HOB	DOMINO GAS HOB
Design family	iQ700	iQ700
Model number	Black ER3A6AB70	ER3A6BB70
DESIGN		
Width (mm)	302	302
Control position	Front	Front
KEY FEATURES		
stepFlame Technology controls	■	■
Digital power level display	-	-
Number of dual circuit wok style burners ¹	1	-
High power (5.0kW+) wok burner ²	■	-
Dual control wok burner ³	■	-
Hob surface type	Ceramic glass	Ceramic glass
FEATURES		
Number of cooking zones	1	2
Individual power levels	9	9
Variable power levels	-	-
Cast iron pan supports (number)	1 x dishwasher safe	1 x dishwasher safe
Cast iron finish pan supports (number)	-	-
Low profile single piece burners	■	-
Two piece burners	-	-
Comfort Profile	■	■
Can be combined with other models with Comfort Profile	■	■
Installation flush with work top possible	-	-
SAFETY FEATURES		
Ignition via control dials	■	■
Flame failure safety device	■	■
PERFORMANCE / TECHNICAL INFORMATION		
Maximum gas power output load (W)	6,100	4,700
Nominal voltage (V)	220-240	220-240
Total connected electrical load (max. W)	1.1	1.1
Cable length (cm)	100	100
GB plug	-	-
Left burner power (kW)	-	-
Front left burner power (kW)	-	-
Back left burner power (kW)	-	-
Centre/Centre front burner power (kW)	6.10	1.90
Centre back burner power (kW)	-	2.80
Front right burner power (kW)	-	-
Back right burner power (kW)	-	-
Right burner power (kW)	-	-
Pre-set for natural gas	■	■
CE Marked	■	■
STANDARD ACCESSORIES		
Wok stand ⁵	■	-
LPG jets	28-30 / 37mbar	28-30 / 37mbar
OPTIONAL ACCESSORIES		
Connecting strip to link to other Comfort Profile models	HZ394301	HZ394301

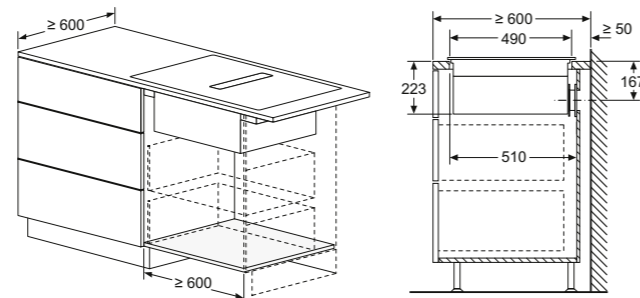
■ Yes, model has this feature. – Feature not available for this model.
 All models comply with COMMISSION (EC) No. 1275/2008 with regard to ecodesign requirements for standby and off mode electric power consumption.
¹Dual circuit means standard outer flame ring plus 2nd inner flame ring.
²High power output for rapid heating – especially valuable for flash and wok frying.
³Dual control means the inner and outer rings of a dual circuit burner can be controlled independently.
⁴Pan supports can be cleaned in the dishwasher. Supports have special additional coating and hand finishing of enamel.
⁵For round based pans.
Data valid in this table as of April 2024. Subject to modification without prior notice.

studioLine hob technical diagrams

studioLine inductionAir Plus venting hob EX877NX68E

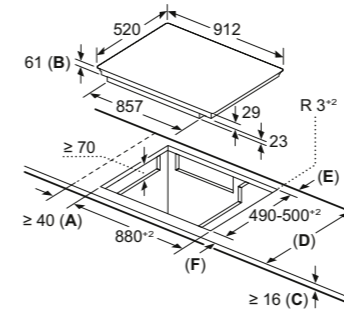


- A:** Recess depth
- B:** Cut-out in back panel required for pipework. Exact size and position can be taken from specific drawing.
- C:** All 80 cm width class models can be installed in 60 cm wide furniture by adjusting the side panels.



Ducted and unducted ventilation technical diagrams can be found online

studioLine freeInduction hob EZ977KZY1E



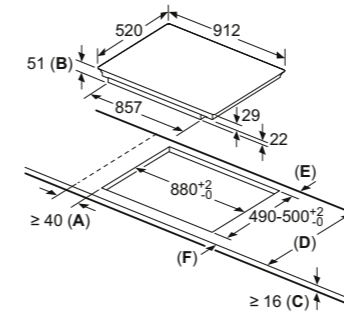
- A:** Min. distance from the hob cut-out to the wall
- B:** Max. recessed depth
- C:** The clearance between the surface of the worktop and the top of the front of the oven must be 40 mm

See space requirements for the oven

The worktop into which the hob is installed must withstand loads of approx. 60 kg; suitable substructures must be used if required

D	E	F
585-600	50	≥ 35
> 600	≥ 50	≥ 50

studioLine flexInduction hob EX977KXX5E and EX977NXV6E

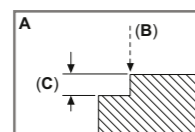
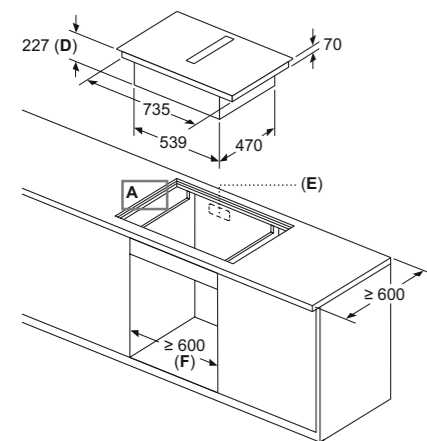


- A:** Minimum distance from the hob cut-out to the wall.
- B:** Recessed depth
- C:** The clearance between the surface of the worktop and the top of the front of the oven must be 30 mm. See space requirements for the oven.

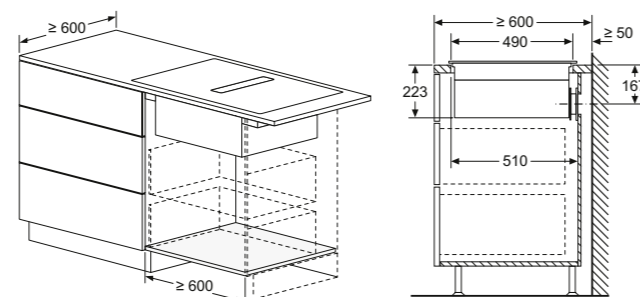
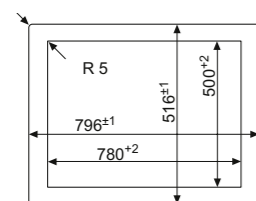
The worktop into which the hob is installed must withstand loads of approx. 60 kg; suitable substructures must be used if required.

D	E	F
585-600	50	≥ 35
> 600	≥ 50	≥ 50

studioLine inductionAir Plus venting hob EX807NX68E

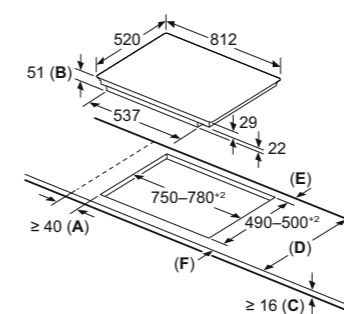


- B:** Max. chamfer 1
- C:** 6.5^{+0.5}
- D:** Recess depth
- E:** Cut-out in back panel required for pipework. Exact size and position can be taken from specific drawing.
- F:** All 80 cm width class models can be installed in 60 cm wide furniture by adjusting the side panels.



Ducted and unducted ventilation technical diagrams can be found online

studioLine flexInduction hob EX878LYV5E and EX877NYV6E



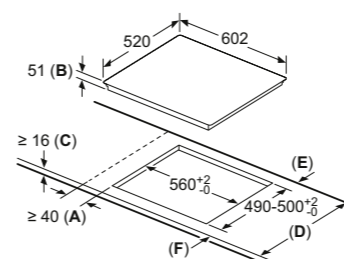
- A:** Min. distance from the hob cut-out to the wall
- B:** Recessed depth
- C:** The clearance between the surface of the worktop and the top of the front of the oven must be 30 mm

See space requirements for the oven

The worktop into which the hob is installed must withstand loads of approx. 60 kg; suitable substructures must be used if required

D	E	F
585-600	50	≥ 35
> 600	≥ 50	≥ 50

studioLine flexInduction hob EX677NYV6E



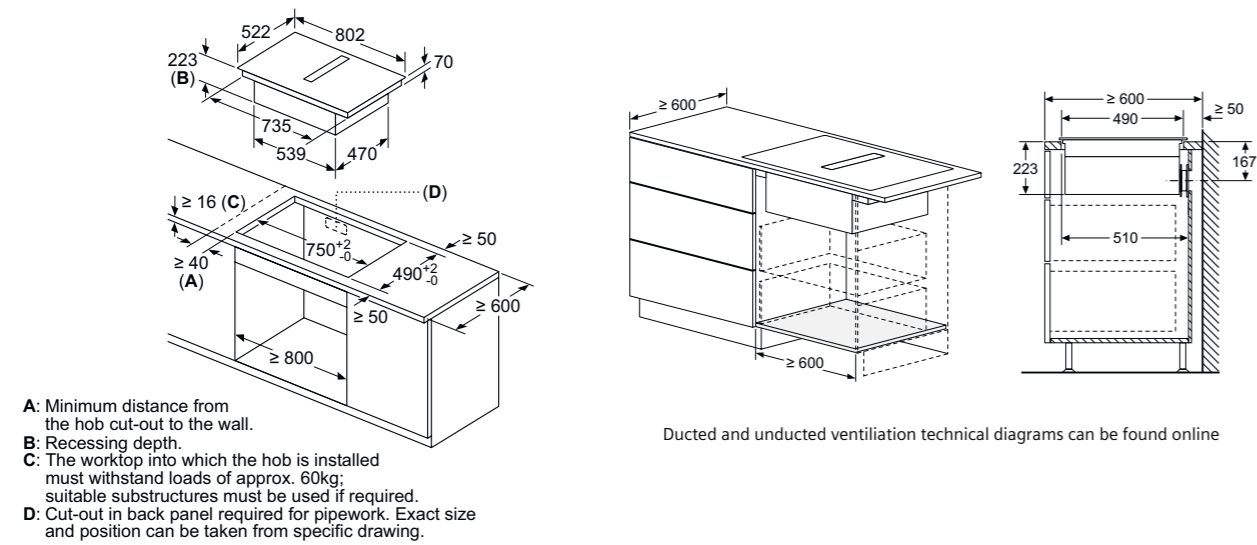
- A:** Minimum distance from the hob cut-out to the wall.
- B:** Recessed depth
- C:** The clearance between the surface of the worktop and the top of the front of the oven must be 30 mm. See space requirements for the oven.

The worktop into which the hob is installed must withstand loads of approx. 60 kg; suitable substructures must be used if required.

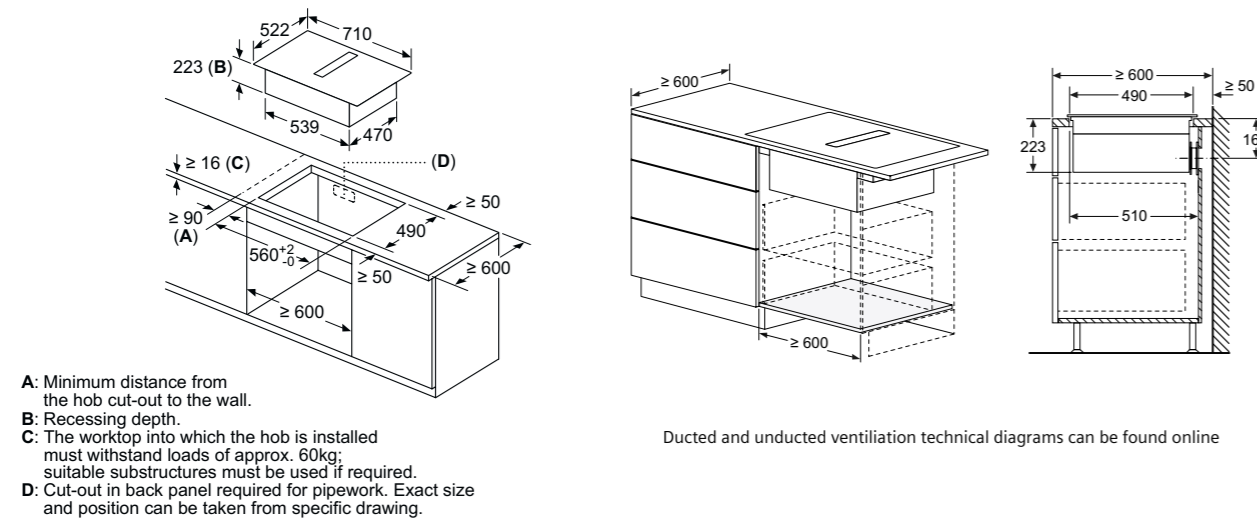
D	E	F
585-600	50	≥ 35
> 600	> 50	> 50

Hob technical diagrams

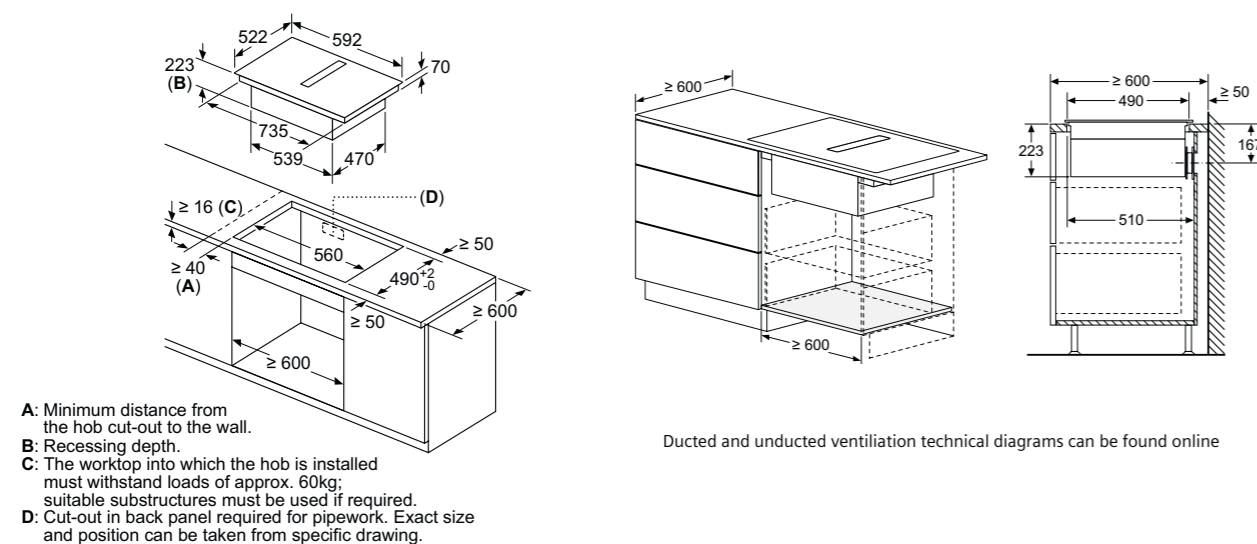
inductionAir Plus venting hobs ED851HQ26E and ED811BS16E



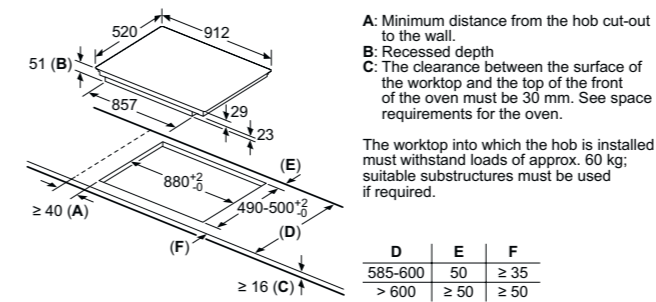
inductionAir Plus venting hob ED711HQ26E



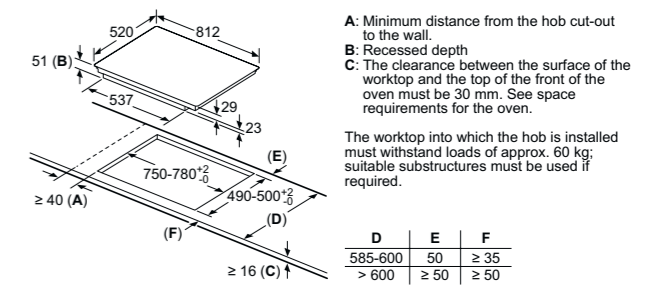
inductionAir Plus venting hob ED611BS16E



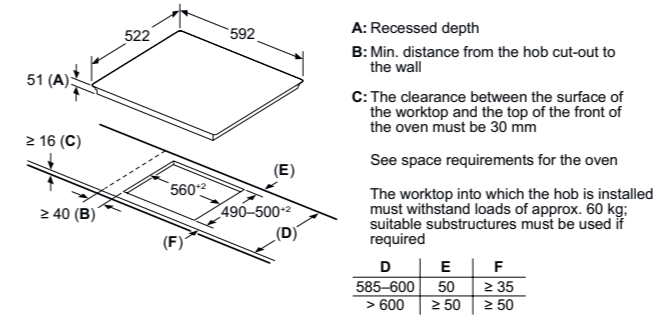
flexInduction hobs EX975KXW1E and EX975LVW1E



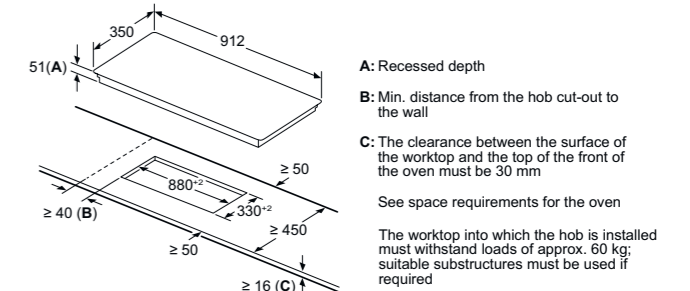
flexInduction hob EX875KYW1E



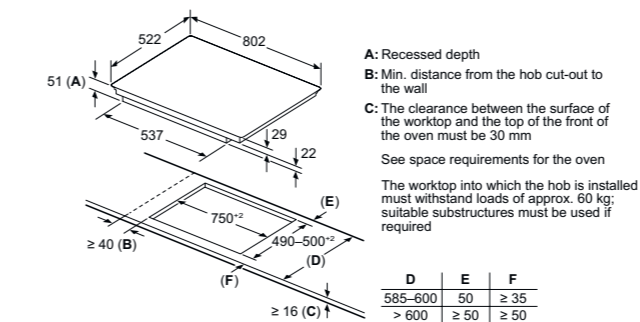
flexInduction hobs EX651HEC1E



flexInduction hob EX275HXC1E

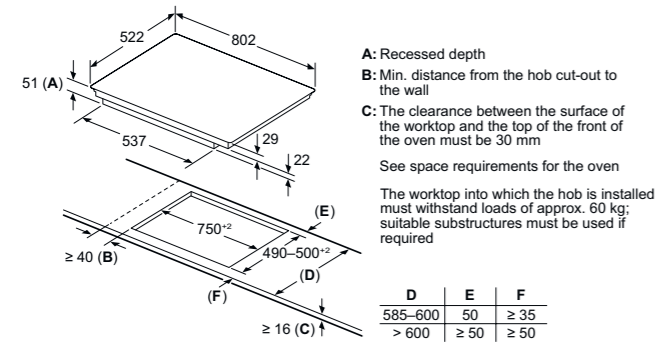


flexInduction hob EX851HVC1E

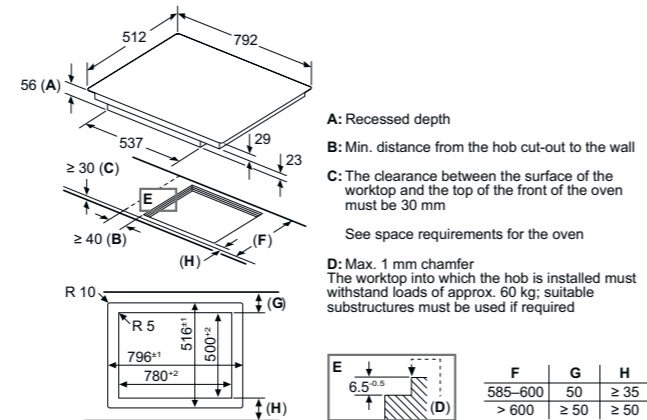


Hob technical diagrams

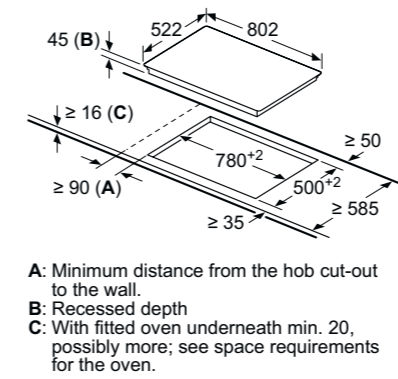
Induction hobs ED851HWB1E and EH831HVB1E



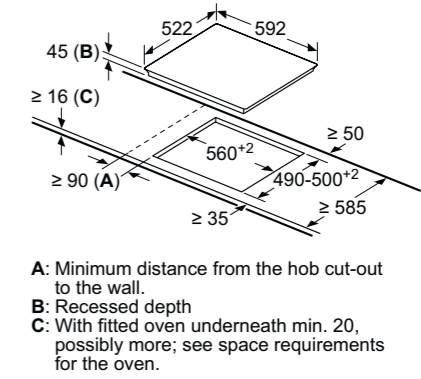
Induction hob EH801HVB1E



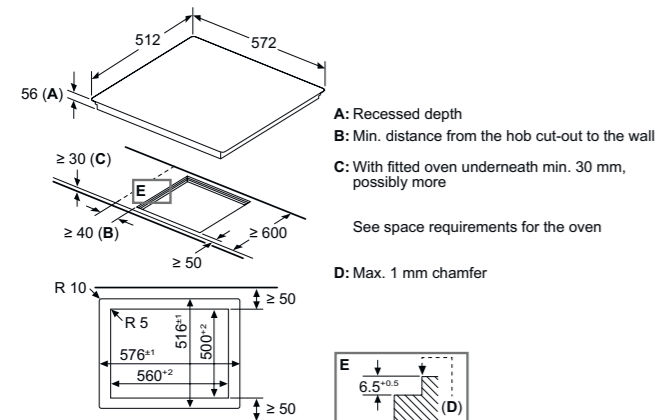
quickLite ceramic hob ET81RBHA1D



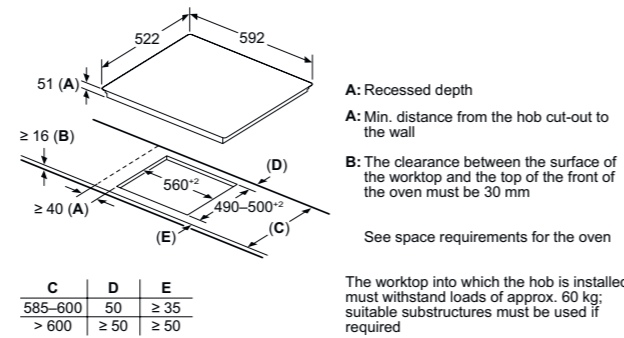
quickLite hob ET61RBEA1E



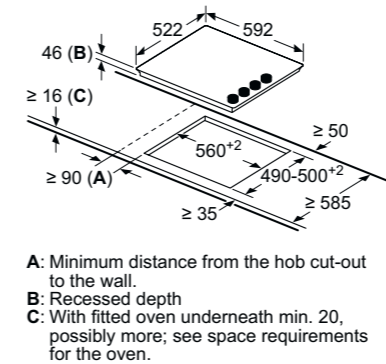
Induction hob EH601HEB1E



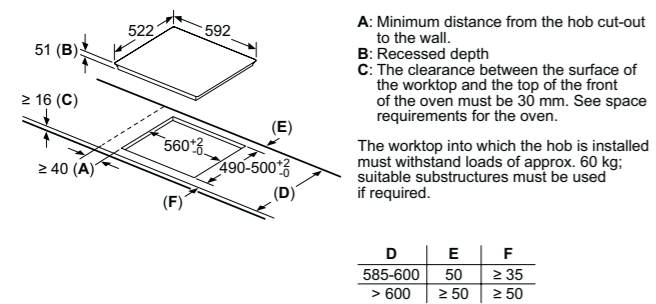
Induction hobs ED651HSB1E and EH631HEB1E



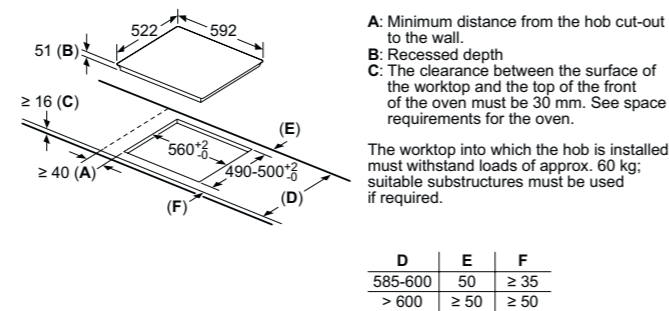
quickLite ceramic hob ET61RCEA1E



Induction hobs EU611BEB5E and EU611BEB5B

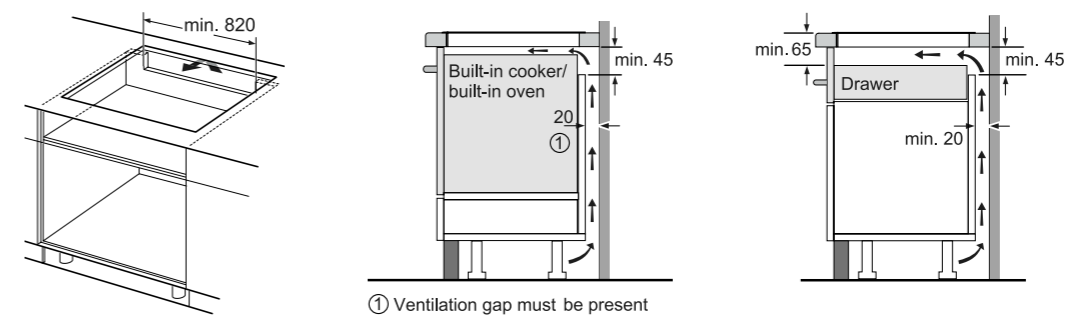


Induction hob EU61RAGA5B



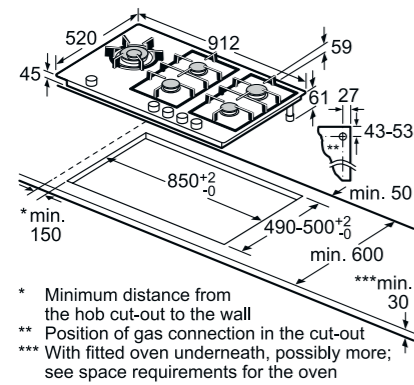
For all flexInduction, induction and quickLite ceramic hobs

Below are diagrams for installation applicable to all flexInduction, induction and quickLite ceramic hobs

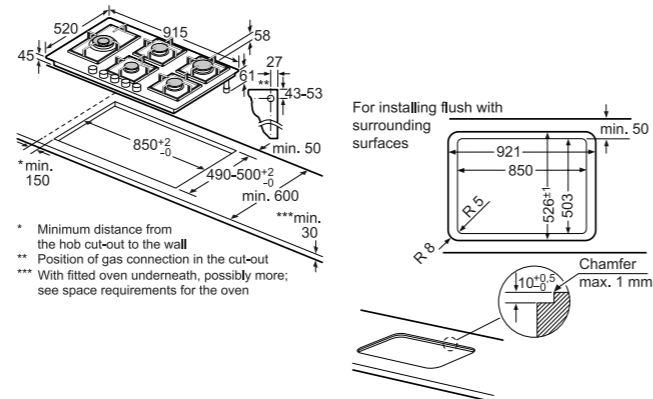


Hob technical diagrams

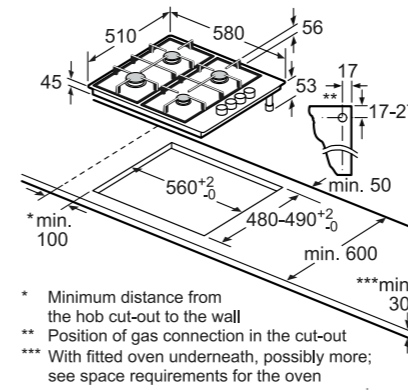
Gas hob ER9A6SB70



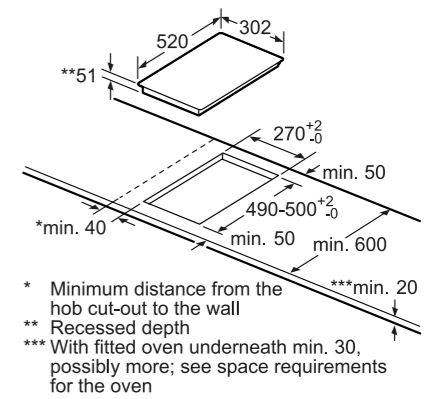
Gas hob EP9A6SB90



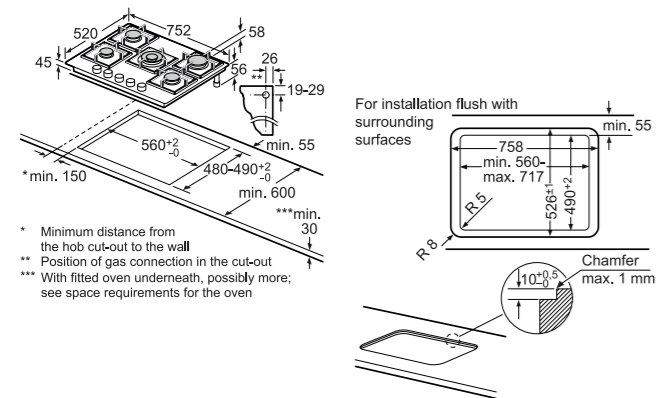
Gas hob EB6B5PB60



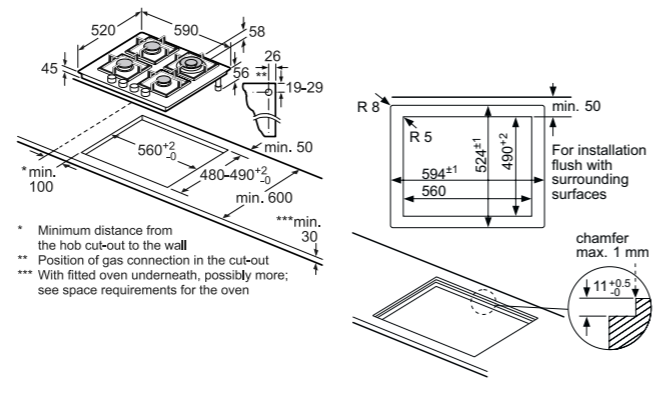
flexInduction domino hob EX375FXB1E



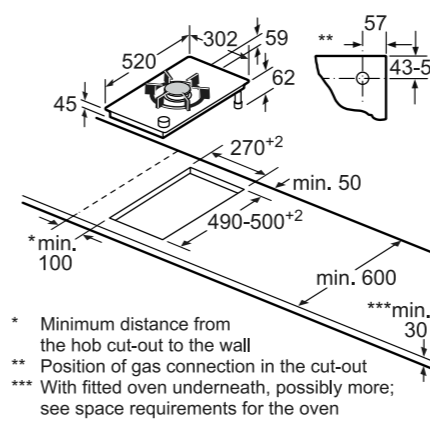
Gas hob EP7A6QB90



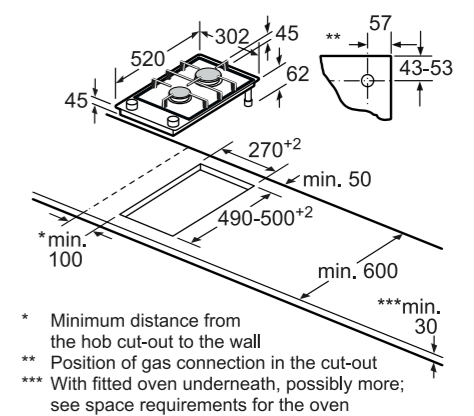
Gas hob EP6A6HB20



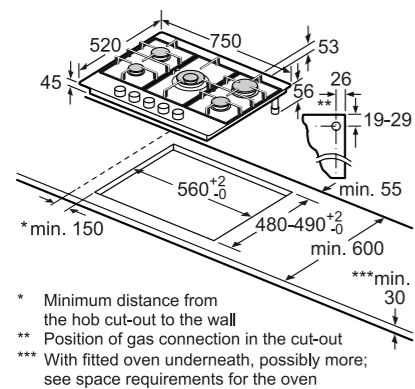
Wok domino gas hob ER3A6AB70



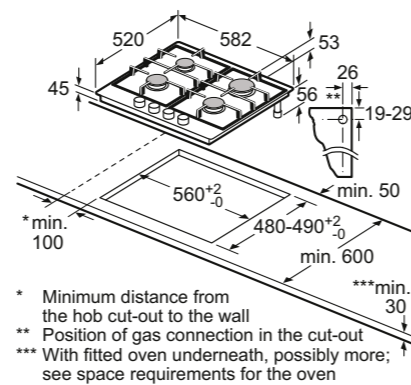
Domino gas hob ER3A6BB70



Gas hobs EC7A5RB90 and EG7B5QB90



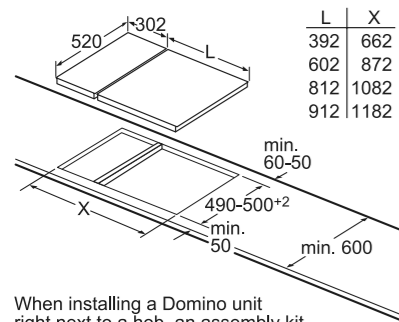
Gas hob EG6B5PB90



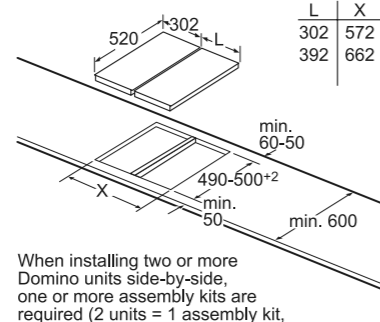
Hob technical diagrams

Domino hob combination installation

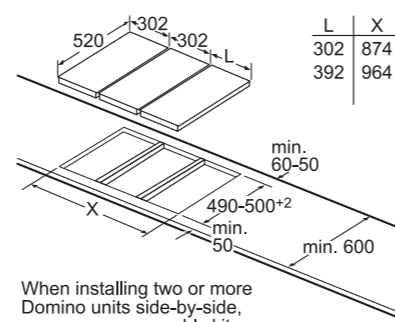
Below are diagrams showing the possible combinations for installing your Domino hob



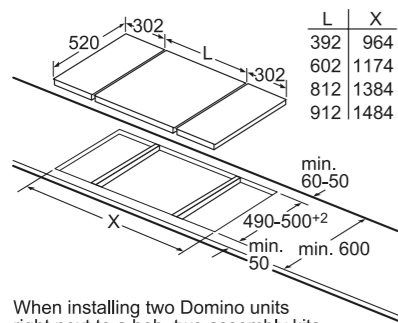
When installing a Domino unit right next to a hob, an assembly kit (HZ394301) is required.



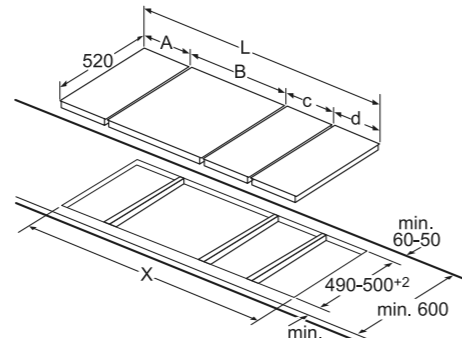
When installing two or more Domino units side-by-side, one or more assembly kits are required (2 units = 1 assembly kit, 3 units = 2 assembly kits, etc.).



When installing two or more Domino units side-by-side, one or more assembly kits are required (2 units = 1 assembly kit, 3 units = 2 assembly kits, etc.).



When installing two Domino units right next to a hob, two assembly kits (HZ394301) are required.



If two or more elements are installed right next to one another, one or several installation kits are required (2 elements 1 installation kit, 3 elements 2 installation kits, etc.).

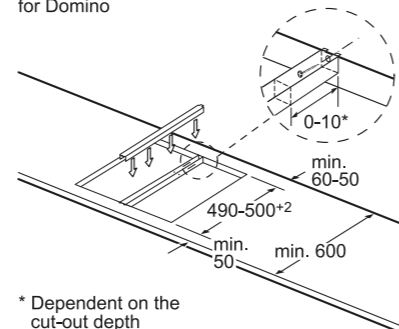
Cutout dimension (X) depending on the combination see table:

Domino combination possibilities with corresponding device and cutout dimensions

Width type: 30 40 60 70 80 90
Device width: 302 392 602 710 812 912

	A	B	C	D	L	X
2x30	302	302	-	-	-	604 572
1x30, 1x40	302	392	-	-	-	694 662
1x30, 1x60	302	602	-	-	-	904 872
1x30, 1x70	302	710	-	-	-	1012 980
1x30, 1x80	302	812	-	-	-	1114 1082
1x30, 1x90	302	912	-	-	-	1214 1182
2x40	392	392	-	-	-	784 752
1x40, 1x60	392	602	-	-	-	994 962
1x40, 1x70	392	710	-	-	-	1102 1070
1x40, 1x80	392	812	-	-	-	1204 1172
1x40, 1x90	392	912	-	-	-	1304 1272
3x30	302	302	302	-	-	906 874
2x30, 1x40	302	302	392	-	-	996 964
2x30, 1x60	302	302	602	-	-	1206 1174
2x30, 1x70	302	302	710	-	-	1314 1282
2x30, 1x80	302	302	812	-	-	1416 1384
2x30, 1x90	302	302	912	-	-	1516 1484
1x30, 2x40	302	392	392	-	-	1086 1054
1x30, 1x40, 1x60	302	392	602	-	-	1296 1264
1x30, 1x40, 1x70	302	392	710	-	-	1404 1372
1x30, 1x40, 1x80	302	392	812	-	-	1506 1474
1x30, 1x40, 1x90	302	392	912	-	-	1606 1574
3x40	392	392	392	-	-	1176 1144
2x40, 1x60	392	392	602	-	-	1386 1354
4x30	302	302	302	302	-	1208 1176
3x30, 1x40	302	302	302	392	-	1298 1266
2x30, 2x40	302	302	392	392	-	1388 1356
1x30, 3x40	302	392	392	392	-	1478 1446

Assembly kit (HZ394301) for Domino



* Dependent on the cut-out depth

Outstanding performance, intelligently designed

The kitchen is the heart of the home. Not only is it a place to cook, it is also a place to entertain, relax after a hard day's work, or spend time with friends and family.

Our range of hoods offer sleek designs and innovative features to elevate the kitchen. From ceiling hoods to glassdraftAir hoods, we have stylish options to suit any taste. The quiet and energy efficient motors, available on some Siemens hoods create a comfortable cooking environment.

Siemens hoods keep the kitchen space fresh, and air cleaner whilst also providing ambient lighting. Browse through intelligent ventilation solutions for all kitchen designs. Our venting hobs with inductionAir Plus combines an advanced induction hob with a high-performance extractor for even clearer views in the kitchen. See the hobs section for details on the inductionAir Plus (pages 98-99).



Model shown: LD98WMM60B
glassdraftAir hood

hoods

Siemens hood warranties:



studioLine 5 year warranty

A five year warranty is available on all Siemens studioLine hoods listed in this brochure to protect against manufacturing and material faults during this warranty period.



2 year warranty

A two year warranty is available on all Siemens hoods listed in this brochure to protect against manufacturing and material faults during this warranty period.

To find out more about warranty and for registration, please visit:
siemens-home.bsh-group.com/uk/customer-service/siemens-warranties

Advanced ventilation with a stylish design

Introducing studioLine worktop solutions

studioLine



studioLine 5 year warranty

A five year warranty is available on all Siemens studioLine ovens and compact appliances listed in this brochure to protect against manufacturing and material faults during this warranty period.

Model shown: LD88WMM66B glassdraftAir hood

glassdraftAir hoods: A perfect blend of elegance and functionality.

With a sleek and modern design, the studioLine glassdraftAir hoods add a touch of sophistication to any kitchen. This advanced ventilation system ensures efficient airflow, keeping the kitchen environment fresh and comfortable. It seamlessly integrates into the kitchen design, enhancing the aesthetic appeal while providing optimal performance. Guided Air technology, one of the intelligent features on this ventilation solution, creates an air curtain behind the glass, improves airflow and ensures optimal and quiet extraction performance across all cooking zones.

For a seamless look the glassdraftAir can be combined with the hobs below:

The LD98WMM66 can be combined with the iQ700 EZ977KZY1E freeInduction hob, the iQ700 EX977KXX5E flexInduction hob or the iQ700 EX977NXV6E flexInduction hob using the LZ29WWY12 seamless installation kit.

While the LD88WMM66B can be combined with the iQ700 EX878LYV5E flexInduction hob or EX877NYV6E flexInduction hob using the LZ28WWY12 seamless installation kit.



Set the mood with emotionLight Pro emotionLight Pro, exclusive to studioLine hoods, enhances the kitchen's style and creates the perfect ambience with fully dimmable LED lights in a variety of captivating colours.

Whatever the preference – a warm and cosy ambience with soft tones or a bold statement with vibrant hues, emotionLight Pro allows customisation of the lighting to suit any mood and style. Experience the versatility and visual impact of this innovative feature and transform the kitchen into a space that reflects unique personalities and design preferences.

Venting hobs: Double efficiency and functionality in one appliance.

Introducing studioLine inductionAir Plus hobs – where cutting-edge technology meets sleek sophistication. With unparalleled control, flexibility, and precision over cooking and ventilation, these venting hobs are designed to elevate culinary experience to new heights. This worktop ventilation solution is perfect for open plan living or for customers who desire a seamless integration of the hob and the hood in one appliance. Say hello to an intelligent kitchen that exudes elegance and style.

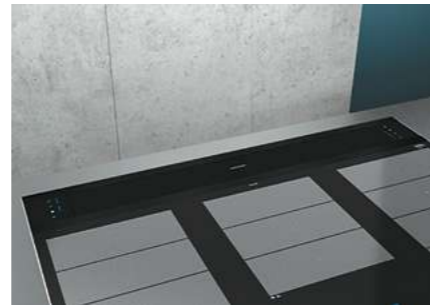


Model shown: EX877NX68E inductionAir Plus hob

Installation solutions for every kitchen

Worktop installation.

glassdraftAir and inductionAir Plus ventilation.



The perfect solution for keeping kitchen designs clear and with unhindered sightlines. The stylish glassdraftAir premium glass panel retracts fully into the unit when not in use. When in operation, its unique transparent design adds a subtle highlight to the kitchen, while its innovative Guided Air technology guarantees excellent performance from all cooking zones.

For seamless installation combine the LD98WMM60B glassDraft Air with the EX975KXW1E or EX975LVV1E flexInduction hobs using the LZ29WWY12 seamless installation kit.



The perfect combination of innovation and functionality. These appliances offer double the efficiency and convenience by integrating a cooktop and ventilation system into one product. Ideal for kitchens with limited space or for customers seeking a clean and unique look.



ED851HQ26E inductionAir Plus venting hob

Wall installation.

Decorative angled glass and chimney hoods.



LC97BHM50B box chimney hood

Experience the beauty and effectiveness of Siemens' wall-mounted ventilation solutions. Our designs are not only stylish but also highly effective with a host of intelligent features. Want a ventilation solution that combines classic and contemporary elements? Explore our traditional chimney hoods.



LC91KLT60B angled glass chimney hood

Integrated furniture installation.

Integrated, telescopic and canopy hoods.

Need to seamlessly integrate the hood into wall-mounted kitchen units? We offer a variety of options specifically designed for mounting inside a cupboard space. These concealed hoods are the perfect choice for achieving a sleek and modern kitchen design.



LB78574GB canopy hood



LJ97BAM60B integrated design hood



LE66MAC00B integrated hood



LI94MA531B telescopic hood



Model shown: LC87KFN60B angled glass chimney hood

Hood installation options

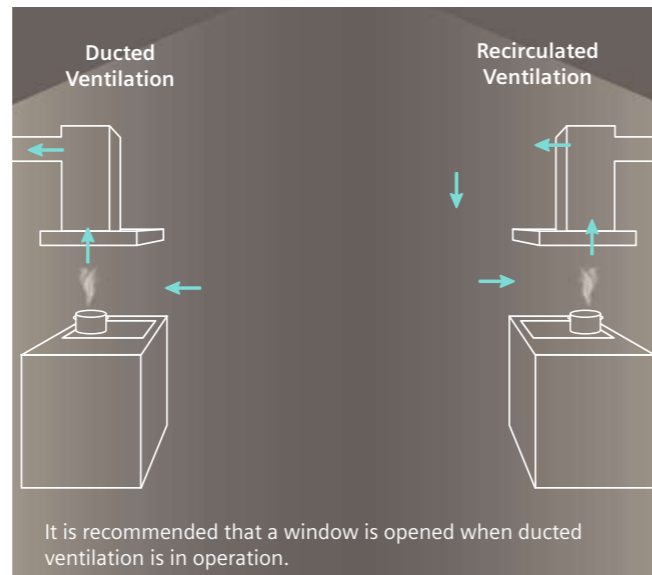
Ducted or recirculated?

For optimum performance, the extractor hood should be ducted to the outside of the house, so that the extracted air is vented outside. But sometimes this is not practical, so most Siemens hoods can also operate in recirculating mode; where the air is passed through a metal filter to remove grease, and then through a carbon filter to remove odours before being directed back into the kitchen.

Although the extraction rate is usually slightly lower when using this method than ducted extraction and the carbon odour filter will need to be replaced, recirculating the air offers an energy efficient benefit; cool air is retained in the home in the summer and warm air does not vent out during winter months.

- Ducted Ventilation**
- Extracts steam and odours
 - Effective planning of ducting system required

- Recirculated Ventilation**
- Removes over 90% of odours with cleanAir filters
 - Easy to install – no ducting required
 - Separate recirculation kit required



The power to perform.

A great hood must be powerful enough to effectively remove moisture and cooking odours from a kitchen. We recommend the hood should be able to change the air in the kitchen 6-12 times per hour. Using this quick calculation, you can check whether a hood is sufficiently powerful. Firstly, calculate the volume of the kitchen (HxWxD metres). Next multiply that figure by 12. The resulting figure is the ideal extraction rate required in intensive mode. Match this to a lower power level on the hood to avoid having to run at full power for increased efficiency.

FOR EXAMPLE

Room: 4m x 4m x 2.5m = 40m³

12 changes per hour in intensive operation: 12 x 40m³ = 480m³/h

So the hood must achieve >480m³/h in intensive mode.

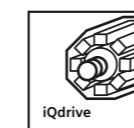


Recirculation filters.

	STANDARD ODOUR FILTER	CLEANAIR FILTER*	CLEANAIR PLUS FILTER*	LONG LIFE REGENERATIVE FILTER*
standard high performance or regenerative				
Lifetime	6-12 months	6-12 months	12 months	10 years
Benefits	Simple installation, Anti-fish treatment	Increased surface area, Up to 3dB (A) sound reduction, improved extraction and performance, Anti-fish treatment	Anti-pollen functionality: the filter retains 99% of airborne pollen and deactivates allergens which are retained by the filter. Increased surface area, Up to 3dB (A) sound reduction, improved extraction and performance, Anti-fish treatment	High odour reduction, Up to 3dB (A) sound reduction, Regenerated in the oven every 4 months recommended (2 hours, 200°C), Improved extraction performance

*CleanAir and Regenerative filters are not available for all styles of hood. Additional module may be required to house the filter. Images for example only, different filters may come in a different size and style.

State-of-the-art efficiency with the iQ drive motor.



Siemens hoods feature innovative technology that saves energy. This is thanks to the highly efficient, durable brushless iQdrive motor which is powerful, but requires very little energy to run. Capable of handling odours and grease in the most challenging cooking situations, and specially designed to last longer. The brushless iQdrive motor at the heart of our selected hoods is capable of extracting a measured value of up to 1007m³/h in our most powerful hood*.

*LC91KLT60B



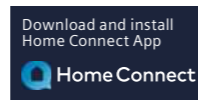
Intelligent angled hoods, clean air and quiet moments

Our new range of iQ300 and iQ700 angled hoods and touchSlider hobs work tirelessly in the background to remove distractions, eliminate errors and enhance the cooking experience.

Designed for maximum flexibility and control, and true to the distinctive Siemens design – our intelligent hobs and hoods make cooking more intuitive by automatically adjusting to the cookware, adapting to user preferences, and automating tasks. When cooking, greasy fumes and loud noises can make it difficult to concentrate or have a conversation. The powerful, quiet and energy-efficient angled hoods allow delicious meals to be prepared, free from disturbance.



intelligent hood automatic
The hood matches the fan level to the temperature and power of the hob, empowering consumers to cook from start to finish without ever touching the hood. Simply pairing both appliances with the Home Connect app allows users to benefit from this automated cooking feature. Intelligent hood automatic is available on all new touchSlider induction hobs in combination with our new iQ300, and iQ700 angled hoods.

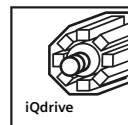


Have it your way with Home Connect.
Intelligent connectivity gives more control, support and freedom. Whether it is getting a notification on a smartphone when dinner is ready, lowering the heat on the hob via a smartphone or tablet, or asking the smart assistant speaker (Amazon Alexa or Google Assistant) to turn off the hob while the table is being set, Home Connect gives access to more flexibility and more ways to personalise the kitchen.

Some of the features displayed can be accessed only if the device is connected to a Home Connect Account and a SingleKey ID account via the Internet. Home Connect is a service of Home Connect GmbH. For more information on Home Connect, visit www.home-connect.com/gb/en



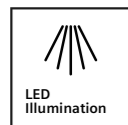
Favourite button
The favourite button personalises the cooking experience, with just one tap. When connected to the Home Connect app, the favourite button can be programmed to perform a chosen action. Whether it is activating a specific heat and timer setting, switching on hood lighting, or turning on other connected appliances and devices using IFTTT.



iQdrive
Thanks to the low-friction mechanics of the iQdrive motor, the iQ300 and iQ700 angled hoods are not only extremely powerful and durable, but virtually silent too. The same level of performance for extraction and quietness can be achieved in both recirculation and exhaust modes.



climateControl Sensor: iQ700 hoods
The climateControl Sensor in the hood detects steam and odours and adjusts the extraction rate precisely as needed, switching off once cleared. This ensures the air in the kitchen stays grease and odour free, in the most energy efficient way.

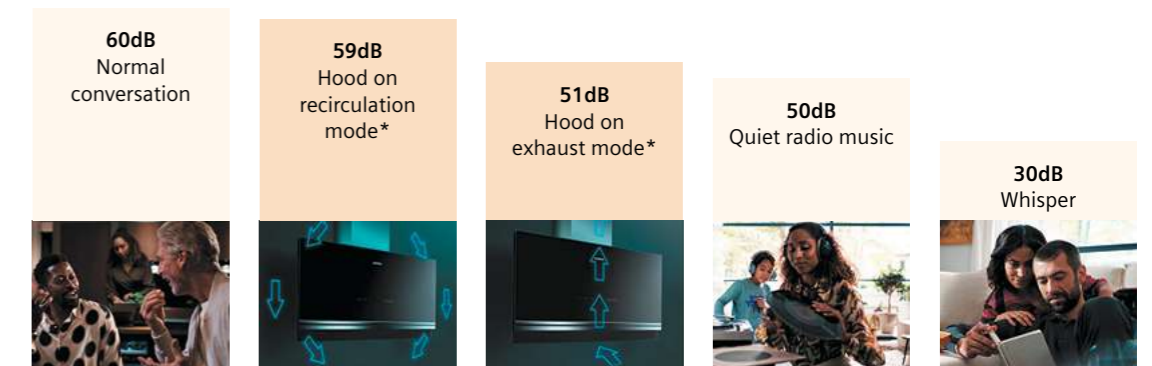


LED Lighting
The cooking area can be personalised depending on mood or preference with the LED Lighting Temperature. The hoods lights can be adjusted to the desirable warmth or coolness without having to sacrifice on lighting quality. An array of colour temperatures between warm white (2700k) and cool white (500k) can be selected via the hoods settings in the Home Connect app.



Model shown:
LC91KLT60 angled glass chimney hood

Decibel output



* Decibel output of iQ700 hoods on level 3.

Accessories for recirculation

Compatible Recirculation Kits: ■ iQ300 LC67KFN60B – 60cm	
VIB	ACCESSORY
LZ11BK116	cleanAir Plus Recirculation Kit
LZ11BKV16	cleanAir Plus Recirculation Kit – Chimless
Replacement Filters	
LZ11BKB16	cleanAir Plus Replacement Filter

Compatible Recirculation Kits: ■ iQ700 LC91KLT60B – 90cm	
VIB	ACCESSORY
LZ11BK116	cleanAir Plus Recirculation Kit
LZ11BKV16	cleanAir Plus Recirculation Kit – Chimless
LZ11BKS11	Long Life Recirculation Kit
LZ11BKR11	Long Life Recirculation Kit – Chimless
Replacement Filters	
LZ11BKB16	cleanAir Plus Replacement Filter
LZ11BKP11	Long Life Replacement Filter

Compatible Recirculation Kits: ■ iQ300 LC87KFN60B – 80cm	
VIB	ACCESSORY
LZ11BK116	cleanAir Plus Recirculation Kit
LZ11BKV16	cleanAir Plus Recirculation Kit – Chimless
Replacement Filters	
LZ11BKB16	cleanAir Plus Replacement Filter

Completely automatic ventilation

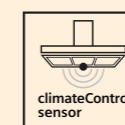
Control two appliances with one.

Experience a new level of cooking efficiency with our intelligent features that effortlessly connect the hob and the hood, creating a seamless cooking experience.



cookConnect system

Control the hood's power levels and lighting directly from the hob after pairing both appliances via Home Connect. On top of this, once the hob is switched on, the hood will start automatically.



climateControl sensor

The climateControl sensor automatically adjusts the power level of the hood depending on the level of steam and odours in the air – keeping the kitchen fresher without having to manually adjust the power. The climateControl Sensor is activated by selecting the 'auto' button.



Intelligent Hood Automatic

Experience seamless interaction between the hob and the hood. By pairing both appliances with the Home Connect app, automated cooking and ventilation solutions are enjoyed. The hood adjusts its fan level based on the hob's output, eliminating the need for manual control. This intuitive feature is available on our new touchSlider induction hobs, with iQ300 and iQ700 angled hoods. The hob and the hood communicate throughout the cooking process, enabling the hood to automatically adjust the extraction rate as heat is added or removed. However, manual adjustment of the fan speed and light settings is still available. Once cooking is complete, the hood switches to the automatic after run function, which can be customised through the Home Connect app.



Model shown left and above:
LC91KLT60B angled glass chimney hood



Hood key features

Model shown:
LC67KFN60B angled glass chimney hood

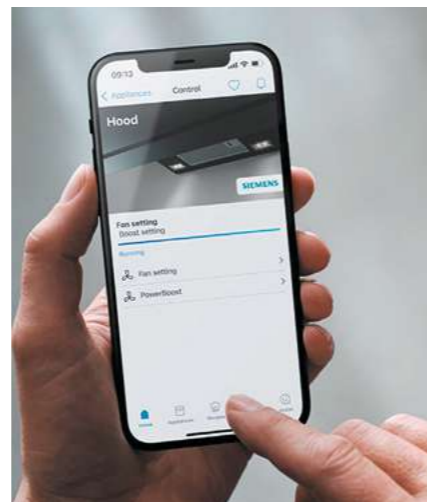
Smart hoods make cooking a breeze.

Home Connect

Experience more versatile ways of cooking with Siemens hoods that have Home Connect. Easily control the lighting, power level, and run time of the hood via a smartphone, tablet or smartwatch.

Take connected cooking a step further to control hood settings with Amazon Alexa voice control. For example, ask Alexa how to clean the filter, set the ambient lights or start extraction. All these features also work with Google Home, making it simple to control appliances in every kitchen. With the Home Connect app, the climateControl sensor can be activated so that the hood's extraction rate automatically adjusts depending on the level of steam and odours in the kitchen.

The cookConnect system enables connection of the hob and the hood through the Home Connect app for more convenient control. This feature allows hood settings to be changed from the hob, so there is complete control from just one appliance.



Download and install Home Connect App

Partners brought to you by Home Connect

Home Connect

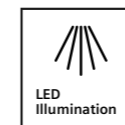
amazon alexa

works with Google Home

Apple App Store

Google Play Store

Other lighting options.



LED Illumination

All Siemens hoods are equipped with state-of-the-art LED lighting, ensuring the hob is illuminated evenly and clearly.



softLight with Dimmer

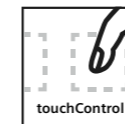
Allows dimming of the hood lights. Perfect for when cooking is finished and a subtle glow in the kitchen is desired.

Controlling your hood.



Home Connect and voice control

Activate and control connected hoods by using the Home Connect app or via voice control with Amazon Alexa or Google Home to take the connected cooking experience to the next level.



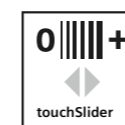
touchControl

The design of touchControl is integrated into the black glass panel for easy control at the touch of a button. Its sleek design is not only aesthetically pleasing but also enables easy cleaning.



cookConnect system

Control the hood's power levels and lighting directly from the hob after pairing both appliances via Home Connect. On top of this, once the hob is switched on, the hood will start automatically.



touchSlider

Stunning design meets sleek control with touchSlider. Control Siemens hoods with ease by simply sliding a finger along the touchSlider to select the power level.



Model shown: LC97BHM50B touchControl

Other product features.



Hood Width

Siemens offers a wide range of hoods to fit different sized spaces. For optimal results, the cooker hood should be at least as wide as the hob. Our hood widths range from 370-520mm.



Energy efficient hoods*

Siemens hoods feature innovations that make them incredibly energy efficient to run, from our durable and quiet brushless iQdrive motor to LED lighting.

*For individual product energy efficiency ratings please check individual product specifications.

Intensive setting

The intensive setting creates a powerful boost of extraction, perfect for tackling demanding dishes such as stir fry or steamed vegetables. This ensures moisture is properly eradicated without misting windows and the kitchen air is kept fresh.

Interval Operation

With interval ventilation, the hood switches on automatically at the lowest level for 10 minutes every hour, to keep the air in the kitchen refreshed. The interval ventilation switches off after 24 hours.

Automatic after running time

This convenient feature reduces cooking odours by allowing the extractor to carry on running automatically after cooking has finished. It will run at a low speed for 3-30 minutes – the duration the extractor carries on for depends on the model.

Filter Saturation Indicator System

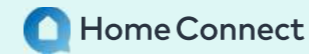
The filter saturation indicators use an illuminated symbol on the hood to show when the hood's grease filters need to be cleaned. For hoods installed with a recirculation filter, the saturation indicator will also signal when the recirculation filter should be replaced or regenerated (depending on type of filter installed).



Worktop ventilation product overview





studioLine 5 year warranty
A five year warranty is available on all Siemens studioLine hood appliances listed in this brochure to protect against manufacturing and material faults during this warranty period.



glassdraftAir Hoods

90cm	80cm
 <p>LD98WMM66 iQ700 Black with clear glass</p> <ul style="list-style-type: none"> • glassdraftAir • iQDrive® • emotionLight Pro • Guided Air technology • cookConnect • climateControl Sensor • 3 power levels and 2 intensive settings • Space saving seamless installation • Interval operation 	 <p>LD88WMM66B iQ700 Black with clear glass</p> <ul style="list-style-type: none"> • glassdraftAir • iQDrive® • emotionLight Pro • Guided Air technology • cookConnect • climateControl Sensor • 3 power levels and 2 intensive settings • Space saving seamless installation • Interval operation

inductionAir Plus hobs

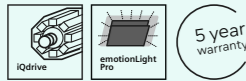
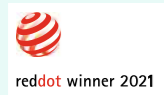
80cm	80cm
 <p>EX877NX68E iQ700 Black glass with blackSteel trim</p> <ul style="list-style-type: none"> • Integrated extractor • climateControl Sensor • Metal grease filter • 17 power levels and 2 intensive • Interval operation • Fully sensor based automatic extraction 	 <p>EX807NX68E iQ700 Flush black glass</p> <ul style="list-style-type: none"> • Integrated extractor • climateControl Sensor • Metal grease filter • 17 power levels and 2 intensive • Interval operation • Fully sensor based automatic extraction



Worktop ventilation

iQ 700 LD98WMM66

glassdraftAir Hood
Black with clear glass



studioLine glassdraftAir Hoods specifications

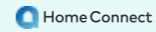
APPLIANCE TYPE	GLASSDRAFTAIR HOOD
Width	90cm
Design family	iQ700
Model number	LD98WMM66
Colour	Black with clear glass
KEY FEATURES	
Seamless installation to hob available (check compatibility)	■
Home Connect	■
Guided Air	■
emotionLight Pro	■
climateControl sensor	■
cookConnect hob based hood control	■
iQdrive®	■
Intensive setting / Automatic intensive revert ¹	■ / ■
Filter saturation indicator	■
Filter service position	■
FEATURES	
Suitable for ducted / recirculating operation	■ / ■
Power levels	3 + 2 Intensive
Interval operation	■
Automatic after running (minutes)	10
Lighting	Glass rim illumination
Type of control	Touch control
PERFORMANCE / TECHNICAL INFORMATION	
Energy rating	A
Appliance width (mm)	912
Extraction Rate in m³/h^{2,3}	
- ducted / recirculating at power level 3	519 / 472
- ducted / recirculating at power level 4 or intensive setting 1	656 / 543
- ducted / recirculating, intensive setting or intensive setting 2	833 / 620
Noise level (sound power) based on dB [A] re 1pW^{2,4}	
- ducted / recirculating at power level 3	62 / 65
- ducted / recirculating at power level 4 or intensive setting 1	67 / 68
- ducted / recirculating, intensive setting or intensive setting 2	71 / 71
Pipe outlet diameter (mm)	150
Minimum distance above an electric / gas hob ⁵ (mm)	Not compatible
GB plug	■

■ Yes, model has this feature. – Feature not available for this model.
¹Power automatically reverts back to normal setting after intensive.
²Air Flow and noise declarations made in line with CECED Code of Conduct.
³Measured according to EN61591 on largest pipe diameter.
⁴Sound power measured according to EN60704-3 on largest pipe diameter.
⁵From top of pan supports.
Data valid in this table as of April 2024. Subject to modification without prior notice.



Scan to view installation options

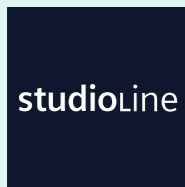
Siemens studioLine glassdraftAir hood and hob compatibility guide		
Hood	Hob compatibility	Seamless Installation Kit
iQ700 LD98WMM66 90cm glassdraftAir hood	iQ700 EZ977KZY1E freInduction hob	LZ29WWY12
iQ700 LD98WMM66 90cm glassdraftAir hood	iQ700 EX977KXX5E flexInduction hob	LZ29WWY12
iQ700 LD98WMM66 90cm glassdraftAir hood	iQ700 EX977NXV6E flexInduction hob	LZ29WWY12
iQ700 LD88WMM66B 80cm glassdraftAir hood	iQ700 EX878LYV5E flexInduction hob	LZ28WWY12
iQ700 LD88WMM66B 80cm glassdraftAir hood	iQ700 EX877NYV6E flexInduction hob	LZ28WWY12



studioLine glassdraftAir Hoods specifications

APPLIANCE TYPE	GLASSDRAFTAIR HOOD
Width	80cm
Design family	iQ700
Model number	LD88WMM66B
Colour	Black with clear glass
KEY FEATURES	
Seamless installation to hob available (check compatibility)	■
Home Connect	■
Guided Air	■
emotionLight Pro	■
climateControl sensor	■
cookConnect hob based hood control	■
iQdrive®	■
Intensive setting / Automatic intensive revert ¹	■ / ■
Filter saturation indicator	■
Filter service position	■
FEATURES	
Suitable for ducted / recirculating operation	■ / ■
Power levels	3 + 2 Intensive
Interval operation	■
Automatic after running (minutes)	10
Lighting	Glass rim illumination
Type of control	Touch control
PERFORMANCE / TECHNICAL INFORMATION	
Energy rating	A
Appliance width (mm)	812
Extraction Rate in m³/h^{2,3}	
- ducted / recirculating at power level 3	501 / 447
- ducted / recirculating at power level 4 or intensive setting 1	620 / 501
- ducted / recirculating, intensive setting or intensive setting 2	775 / 562
Noise level (sound power) based on dB [A] re 1pW^{2,4}	
- ducted / recirculating at power level 3	62 / 65
- ducted / recirculating at power level 4 or intensive setting 1	67 / 67
- ducted / recirculating, intensive setting or intensive setting 2	70 / 70
Pipe outlet diameter (mm)	150
Minimum distance above an electric / gas hob ⁵ (mm)	Not compatible
GB plug	■

■ Yes, model has this feature. – Feature not available for this model.
¹Power automatically reverts back to normal setting after intensive.
²Air Flow and noise declarations made in line with CECED Code of Conduct.
³Measured according to EN61591 on largest pipe diameter.
⁴Sound power measured according to EN60704-3 on largest pipe diameter.
⁵From top of pan supports.
Data valid in this table as of April 2024. Subject to modification without prior notice.

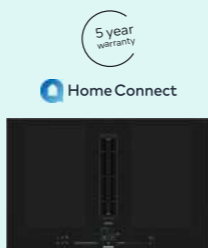
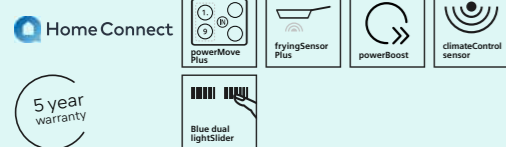


inductionAir Plus hobs

iQ 700 EX877NX68E

inductionAir Plus hob
Black glass

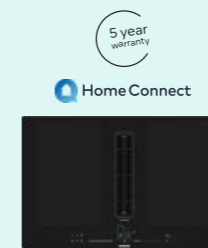
80cm



studioLine inductionAir Plus hob specifications

APPLIANCE TYPE	INDUCTIONAIR PLUS HOB	
Design family	iQ 700	
Model number	EX877NX68E	
DESIGN		
Width (mm)	812	
Control position / Control type	Front / Blue Dual lightSlider	
Style	TopFrame without front bevel (studioLine blackSteel trim)	
KEY FEATURES		
Home Connect	■	
Integrated extractor	■	
cookingSensor Plus ready ¹	HZ39050 required	
fryingSensor Plus settings for hob	5 levels	
Favourite Button	-	
Automatic extraction	Fully sensor based	
Number of flexInduction zones	2	
Number of combiZones	-	
HOB FEATURES		
Number of individual zones / Power levels	4 / 17	
powerBoost / powerMove Plus	■ / 3 stages	
panBoost	■	
Adaptable volume / Energy consumption display	- / ■	
Keep warm function	■	
quickStart / Quick stop (Quick switch-off)	■ / -	
flexMotion / reStart	■ / ■	
Demo mode	■	
Dish categories/setting recommendations	■	
Wipe protection function (Control panel pause)	■	
SAFETY FEATURES		
Residual heat indicator / Pan recognition	■ / ■	
Childproof lock / Favourite button	■ / -	
Countdown timer / Count up timer	■ / ■	
Safety time switch off / Main on/off switch	■ / ■	
HOOD FEATURES		
climateControl sensor / Metal grease filter	■ / ■	
Power levels	17 + 2 Intensive	
Automatic intensive revert setting	6 minutes	
Automatic or manual control	■	
Automatic after running: Extraction / Recirculation	12 / 30 minutes	
Interval operation	■	
Dishwasher safe grease filter cassette with spillage collection	Yes - 200ml capacity	
Dishwasher safe spillage overflow collector	700ml capacity	
Electronic grease filter / cleanAir filter saturation indicators	■ / ■	
PERFORMANCE / TECHNICAL INFORMATION – HOB		
Maximum power output (W)	7,400	
Nominal voltage (V)	220-240	
Electrical cable length (cm)	110	
Rear left zone - power (kW) / dimensions (mm)	2.20	200 x 240
Rear right zone - power (kW) / dimensions (mm)	2.20	200 x 240
Front left zone - power (kW) / dimensions (mm)	2.20	200 x 240
Front right zone - power (kW) / dimensions (mm)	2.20	200 x 240
flexInduction zone left - power (kW) / dimensions (mm)	3.30	400 x 240
flexInduction zone right - power (kW) / dimensions (mm)	3.30	400 x 240
combiZone left - power (kW) / dimensions (mm)	-	-
combiZone right - power (kW) / dimensions (mm)	-	-
Rear left zone / Rear right zone - with powerBoost (max. kW)	3.70 / 3.70	
Front left zone / Front right zone - with powerBoost (max. kW)	3.70 / 3.70	
PERFORMANCE / TECHNICAL INFORMATION – EXTRACTOR		
Extractor energy efficiency rating	B	
Extraction rate in m³/h^(1,2)		
- ducted / recirculating power level minimum	154 / 132	
- ducted / recirculating power level maximum	500 / 499	
- ducted / recirculating power level intensive	622 / 595	
Noise level (sound power) based on dB[A] re 1pW^(1,3)		
- ducted / recirculating power level minimum	42 / 41	
- ducted / recirculating power level maximum	69 / 68	
- ducted / recirculating power level intensive	74 / 72	
Motor power (W)	170	






■ Yes, model has this feature. - Feature not available for this model.
All models comply with COMMISSION (EC) No. 1275/2008 with regard to ecodesign requirements for standby and off mode electric power consumption.
¹ Max 3 sensors at any time; one WSP provided. ² Air flow and noise declarations made in line with CECEC Code Of Conduct. ³ Sound power measured according to EN60704-3 on largest pipe diameter.
Data valid in this table as of April 2024. Subject to modification without prior notice.



APPLIANCE TYPE	INDUCTIONAIR PLUS HOBS	
Design family	iQ 700	
Model number	EX807NX68E	
DESIGN		
Width (mm)	792	
Control position / Control type	Front / Blue Dual lightSlider	
Style	TopFrame without front bevel (Frameless flushline installation)	
KEY FEATURES		
Home Connect	■	
Integrated extractor	■	
cookingSensor Plus ready ¹	HZ39050 required	
fryingSensor Plus settings for hob	5 levels	
Favourite Button	-	
Automatic extraction	Fully sensor based	
Number of flexInduction zones	2	
Number of combiZones	-	
HOB FEATURES		
Number of individual zones / Power levels	4 / 17	
powerBoost / powerMove Plus	■ / 3 stages	
panBoost	■	
Adaptable volume / Energy consumption display	- / ■	
Keep warm function	■	
quickStart / Quick stop (Quick switch-off)	■ / -	
file flexMotion / reStart xMotion	■ / ■	
Demo mode	■	
Dish categories/setting recommendations	■	
Wipe protection function (Control panel pause)	■	
SAFETY FEATURES		
Residual heat indicator / Pan recognition	■ / ■	
Childproof lock / Favourite button	■ / -	
Countdown timer / Count up timer	■ / ■	
Safety time switch off / Main on/off switch	■ / ■	
HOOD FEATURES		
climateControl sensor / Metal grease filter	■ / ■	
Power levels	17 + 2 intensive	
Automatic intensive revert setting	6 minutes	
Automatic or manual control	■	
Automatic after running: Extraction / Recirculation	12 / 30 minutes	
Interval operation	■	
Dishwasher safe grease filter cassette with spillage collection	Yes - 200ml capacity	
Dishwasher safe spillage overflow collector	700ml capacity	
Electronic grease filter / cleanAir filter saturation indicators	■ / ■	
PERFORMANCE / TECHNICAL INFORMATION – HOB		
Maximum power output (W)	7,400	
Nominal voltage (V)	220-240	
Electrical cable length (cm)	110	
Rear left zone - power (kW) / dimensions (mm)	2.20	200 x 240
Rear right zone - power (kW) / dimensions (mm)	2.20	200 x 240
Front left zone - power (kW) / dimensions (mm)	2.20	200 x 240
Front right zone - power (kW) / dimensions (mm)	2.20	200 x 240
flexInduction zone left - power (kW) / dimensions (mm)	3.30	400 x 240
flexInduction zone right - power (kW) / dimensions (mm)	3.30	400 x 240
combiZone left - power (kW) / dimensions (mm)	-	-
combiZone right - power (kW) / dimensions (mm)	-	-
Rear left zone / Rear right zone - with powerBoost (max. kW)	3.70 / 3.70	
Front left zone / Front right zone - with powerBoost (max. kW)	3.70 / 3.70	
PERFORMANCE / TECHNICAL INFORMATION – EXTRACTOR		
Extractor energy efficiency rating	B	
Extraction rate in m³/h^(1,2)		
- ducted / recirculating power level minimum	154 / 132	
- ducted / recirculating power level maximum	500 / 499	
- ducted / recirculating power level intensive	622 / 595	
Noise level (sound power) based on dB[A] re 1pW^(1,3)		
- ducted / recirculating power level minimum	42 / 41	
- ducted / recirculating power level maximum	69 / 68	
- ducted / recirculating power level intensive	74 / 72	
Motor power (W)	170	







■ Yes, model has this feature. - Feature not available for this model.
All models comply with COMMISSION (EC) No. 1275/2008 with regard to ecodesign requirements for standby and off mode electric power consumption.
¹ Max 3 sensors at any time; one WSP provided. ² Air flow and noise declarations made in line with CECEC Code Of Conduct. ³ Sound power measured according to EN60704-3 on largest pipe diameter.
Data valid in this table as of April 2024. Subject to modification without prior notice.


Core Hoods and Venting Hobs product overview





Worktop installation				
glassdraftAir	Venting hob	Venting hob	Venting hob	Venting hob
90cm	80cm	80cm	70cm	60cm
 <p>LD98WMM60B iQ700 90cm Black with clear glass</p> <ul style="list-style-type: none"> iQDrive® cookConnect climateControl Sensor Guided Air technology Interval operation Metal grease filter 3 power levels and 2 intensive 	 <p>ED851HQ26E iQ500 80cm Black glass</p> <ul style="list-style-type: none"> Integrated extraction Interval operation Metal grease filter 9 power levels and 2 intensive 	 <p>ED811BS16E iQ300 80cm Black glass</p> <ul style="list-style-type: none"> Integrated extraction Interval operation Metal grease filter 3 power levels and 1 intensive 	 <p>ED711HQ26E iQ500 70cm Black glass</p> <ul style="list-style-type: none"> Integrated extraction Interval operation Metal grease filter 9 power levels and 2 intensive 	 <p>ED611BS16E iQ300 60cm Black glass</p> <ul style="list-style-type: none"> Integrated extraction Interval operation Metal grease filter 3 power levels and 1 intensive



2 year warranty
A two year warranty is available on all Siemens hood appliances listed in this brochure to protect against manufacturing and material faults during this warranty period.

Wall installation					
Angled glass chimney hood	Box chimney hood	Angled glass chimney hood	Angled glass chimney hood	Box chimney hood	Box chimney hood
90cm	90cm	80cm	60cm	60cm	60cm
 <p>LC91KLT60B iQ700 90cm Black</p> <ul style="list-style-type: none"> iQDrive® cookConnect climateControl sensor LED Lights Interval operation Metal grease filter 3 power levels and 2 intensive 	 <p>LC97BHM50B iQ300 90cm Stainless steel</p> <ul style="list-style-type: none"> LED Lights Metal grease filter 3 power levels and 1 intensive 	 <p>LC87KFN60B iQ300 80cm Black</p> <ul style="list-style-type: none"> iQDrive® cookConnect Intelligent Hood Automatic LED Lights Metal grease filter 3 power levels and 1 intensive 	 <p>LC67KFN60B iQ300 60cm Black</p> <ul style="list-style-type: none"> iQDrive® cookConnect Intelligent Hood Automatic LED Lights Metal grease filter 3 power levels and 1 intensive 	 <p>LC67BHM50B iQ300 60cm Stainless steel</p> <ul style="list-style-type: none"> LED Lights Metal grease filter 3 power levels and 1 intensive 	 <p>LC64BHC50B iQ100 60cm Stainless steel</p> <ul style="list-style-type: none"> LED Lights Metal grease filter 3 power levels

Integrated furniture installation				
Integrated design hood	Telescopic hood	Canopy hood	Canopy hood	Integrated design hood
90cm	90cm	73cm	70cm	60cm
 <p>LJ97BAM60B iQ500 Black body and fold out glass</p> <ul style="list-style-type: none"> LED Lights Metal grease filter 3 power levels and 1 intensive 	 <p>LI94MA531B iQ300 Metallic silver</p> <ul style="list-style-type: none"> iQDrive® LED Lights Metal grease filter 3 power levels and 1 intensive 	 <p>LB75565GB iQ300 Metallic silver</p> <ul style="list-style-type: none"> LED Lights Metal grease filter 3 power levels and 1 intensive 	 <p>LB78574GB iQ500 Stainless steel</p> <ul style="list-style-type: none"> LED Lights Metal grease filter 3 power levels and 1 intensive 	 <p>LJ67BAM60B iQ500 Black body and fold out glass</p> <ul style="list-style-type: none"> touchControl LED Lights Metal grease filter 3 power levels and 1 intensive

Integrated furniture installation			
Telescopic hood	Integrated hood	Canopy hood	Canopy hood
60cm	60cm	53cm	52cm
 <p>LI64MA531B iQ300 60cm Metallic silver</p> <ul style="list-style-type: none"> iQDrive® LED Lights Metal grease filter 3 power levels and 1 intensive 	 <p>LE66MAC00B iQ100 60cm Metallic silver</p> <ul style="list-style-type: none"> LED Lights Metal grease filter 3 power levels 	 <p>LB53NAA30B iQ100 53cm Metallic silver</p> <ul style="list-style-type: none"> LED Lights Metal grease filter 3 power levels 	 <p>LB57574GB iQ500 52cm Stainless steel</p> <ul style="list-style-type: none"> LED Lights Metal grease filter 3 power levels and 1 intensive

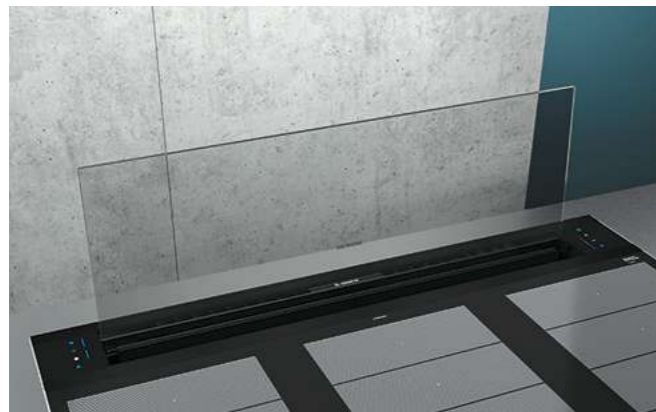


Model shown: LD98WMM60B glassdraftAir hood

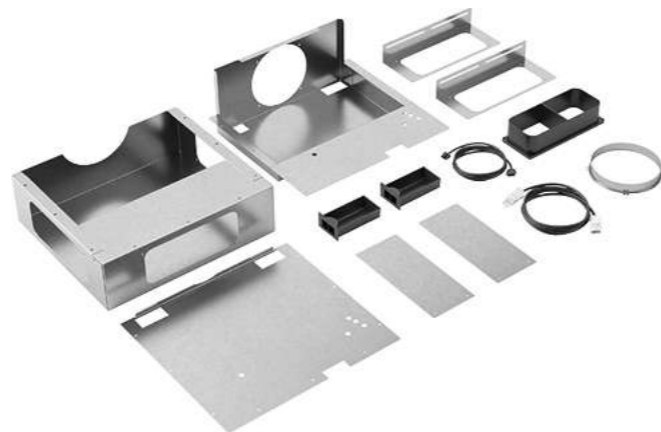
The finishing touch for your kitchen. Now with flexible installation.

Extract cooking smells at source with the iQ700 glassdraftAir hood, ideal for keeping the sightlines of open plan kitchens. Conveniently placed within the worktop, this elegant hood can be automatically raised when needed, then disappears at the touch of a button. There is no need to worry about losing storage space beneath as the motor can be placed somewhere more convenient with the remote installation kit.

The Siemens Remote Motor Installation Mounting Kit (LZ21WWM11) frees up space under the worktop and provides the option to mount the motor up to 3 metres away from the appliance. Image for illustrative purposes only. Ducting not supplied.



Model shown: LD98WMM60B glassdraftAir hood



Worktop ventilation

iQ700 LD98WMM60B

glassdraftAir Hood
Black with clear glass



glassdraftAir Hood specifications

APPLIANCE TYPE	GLASSDRAFTAIR HOOD
Width	90cm
Design family	iQ700
Model number	LD98WMM60B
Colour	Black with clear glass
KEY FEATURES	
Seamless installation to hob available (check compatibility)	■
Home Connect	■
Guided Air	■
emotionLight Pro	-
climateControl sensor	■
cookConnect hob based hood control	■
iQdrive®	■
Intensive setting / Automatic intensive revert ¹	■ / ■
Filter saturation indicator	■
Filter service position	■
FEATURES	
Suitable for ducted / recirculating operation	■ / ■
Power levels	3 + 2 intensive
Interval operation	■
Automatic after running (minutes)	10
Lighting	-
Type of control	Touch control
PERFORMANCE / TECHNICAL INFORMATION	
Energy rating	A
Appliance width (mm)	912
Extraction Rate in m³/h ^{2,3}	
- ducted / recirculating at power level 3	519 / 472
- ducted / recirculating at power level 4 or intensive setting 1	656 / 543
- ducted / recirculating, intensive setting or intensive setting 2	833 / 620
Noise level (sound power) based on dB [A] re 1pW ^{2,4}	
- ducted / recirculating at power level 3	62 / 65
- ducted / recirculating at power level 4 or intensive setting 1	67 / 68
- ducted / recirculating, intensive setting or intensive setting 2	71 / 71
Pipe outlet diameter (mm)	150
Minimum distance above an electric / gas hob ⁵ (mm)	Not compatible
GB plug	■

■ Yes, model has this feature. - Feature not available for this model.
¹Power automatically reverts back to normal setting after intensive.
²Air Flow and noise declarations made in line with CECEC Code of Conduct.
³Measured according to EN61591 on largest pipe diameter.
⁴Sound power measured according to EN60704-3 on largest pipe diameter.
⁵From top of pan supports.
Data valid in this table as of April 2024. Subject to modification without prior notice.



Scan to view installation options

Siemens glassdraftAir hood and hob compatibility guide		
Hood	Hob compatibility	Seamless Installation Kit
iQ700 LD98WMM60B 90cm glassdraftAir hood	iQ700 EX975KXW1E flexInduction hob	LZ29WWY12
iQ700 LD98WMM60B 90cm glassdraftAir hood	iQ700 EX975LV1E flexInduction hob	LZ29WWY12

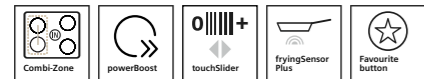
For specification details, please visit siemens-home.bsh-group.com/uk and download a full specification sheet. For the full range of accessories, please visit our online accessory shop at siemens-home.bsh-group.com/uk/shop or call our Spares Department on 0344 892 8999.

inductionAir Plus hobs

iQ 500 ED851HQ26E

inductionAir Plus hob
Black glass

80cm



inductionAir Plus hob specifications

APPLIANCE TYPE		INDUCTIONAIR PLUS HOB	
Design family		iQ 500	
Model number		ED851HQ26E	
DESIGN			
Width (mm)		802	
Control position / Control type		Front / touchSlider	
Style		U-bevel	
KEY FEATURES			
Home Connect		■	
Integrated extractor		■	
cookingSensor Plus ready ¹		-	
fryingSensor Plus settings for hob		11 levels	
Favourite Button		■	
Automatic extraction		Auto-on	
Number of flexInduction zones		-	
Number of combiZones		2: Left & Right	
HOB FEATURES			
Number of individual zones / Power levels		4 / 17	
powerBoost / powerMove Plus		■ / -	
panBoost		via HC/Favourite Button a. sw upd.	
Adaptable volume / Energy consumption display		■ / -	
Keep warm function		via HC/Favourite Button a. sw upd.	
quickStart / Quick stop (Quick switch-off)		■ / -	
flexMotion / reStart		- / ■	
Demo mode		-	
Dish categories/setting recommendations		via HC app a. sw upd.	
Wipe protection function (Control panel pause)		-	
SAFETY FEATURES			
Residual heat indicator / Pan recognition		■ / ■	
Childproof lock / Favourite button		■ / ■	
Countdown timer / Count up timer		■ / -	
Safety time switch off / Main on/off switch		■ / ■	
HOOD FEATURES			
climateControl sensor / Metal grease filter		- / ■	
Power levels		9 + 2 Intensive	
Automatic intensive revert setting		6 minutes	
Automatic or manual control		■	
Automatic after running: Extraction / Recirculation		12 / 30 minutes	
Interval operation		■	
Dishwasher safe grease filter cassette with spillage collection		Yes - 200ml capacity	
Dishwasher safe spillage overflow collector		700ml capacity	
Electronic grease filter/cleanAir filter saturation indicators		- / -	
PERFORMANCE / TECHNICAL INFORMATION – HOB			
Maximum power output (W)		7,400	
Nominal voltage (V)		220-240	
Electrical cable length (cm)		110	
Rear left zone - power (kW) / dimensions (mm)		2.50	190 x 210
Rear right zone - power (kW) / dimensions (mm)		2.50	190 x 210
Front left zone - power (kW) / dimensions (mm)		2.50	190 x 210
Front right zone - power (kW) / dimensions (mm)		2.50	190 x 210
flexInduction zone left - power (kW) / dimensions (mm)		-	-
flexInduction zone right - power (kW) / dimensions (mm)		-	-
combiZone left - power (kW) / dimensions (mm)		3.60	380 x 210
combiZone right - power (kW) / dimensions (mm)		3.60	380 x 210
Rear left zone / Rear right zone - with powerBoost (max. kW)		3.70 / 3.70	
Front left zone / Front right zone - with powerBoost (max. kW)		3.70 / 3.70	
PERFORMANCE / TECHNICAL INFORMATION – EXTRACTOR			
Extractor energy efficiency rating		B	
Extraction rate in m ³ /h ^(1,2)			
- ducted / recirculating power level minimum		154 / 117	
- ducted / recirculating power level maximum		500 / 487	
- ducted / recirculating power level intensive		622 / 595	
Noise level (sound power) based on dB[A] re 1pW ^(1,4)			
- ducted / recirculating power level minimum		42 / 41	
- ducted / recirculating power level maximum		69 / 68	
- ducted / recirculating power level intensive		74 / 72	
Motor power (W)		170	

■ Yes, model has this feature. - Feature not available for this model.
All models comply with COMMISSION (EC) No. 1275/2008 with regard to ecodesign requirements for standby and off mode electric power consumption.
¹ Max 3 sensors at any time; one WSP provided. ² Air flow and noise declarations made in line with CECEC Code Of Conduct. ³ Sound power measured according to EN60704-3 on largest pipe diameter.
Data valid in this table as of April 2024. Subject to modification without prior notice.

inductionAir Plus hob specifications

APPLIANCE TYPE		INDUCTIONAIR PLUS HOBS			
Design family		iQ 500		iQ 300	
Model number		ED711HQ26E		ED611B516E	
DESIGN					
Width (mm)		710		802	
Control position / Control type		Front / touchSlider		Front / touchControl	
Style		Frameless		Frameless	
KEY FEATURES					
Home Connect		■		-	
Integrated extractor		■		■	
cookingSensor Plus ready ¹		-		-	
fryingSensor Plus settings for hob		11 levels		-	
Favourite Button		■		-	
Automatic extraction		Auto-on		Auto-On	
Number of flexInduction zones		-		-	
Number of combiZones		2: Left & Right		1	
HOB FEATURES					
Number of individual zones / Power levels		4 / 17		4 / 17	
powerBoost / powerMove Plus		■ / -		■ / -	
panBoost		via HC/Favourite Button a. sw upd.		-	
Adaptable volume / Energy consumption display		■ / -		- / -	
Keep warm function		via HC/Favourite Button a. sw upd.		-	
quickStart / Quick stop (Quick switch-off)		■ / -		■ / ■	
flexMotion / reStart		- / ■		- / ■	
Demo mode		-		-	
Dish categories/setting recommendations		via HC app a. sw upd.		-	
Wipe protection function (Control panel pause)		-		-	
SAFETY FEATURES					
Residual heat indicator / Pan recognition		■ / ■		■ / ■	
Childproof lock / Favourite button		■ / ■		■ / -	
Countdown timer / Count up timer		■ / -		■ / -	
Safety time switch off / Main on/off switch		■ / ■		■ / ■	
HOOD FEATURES					
climateControl sensor / Metal grease filter		- / ■		- / ■	
Power levels		9 + 2 intensive		3 + 1 intensive	
Automatic intensive revert setting		6 minutes		6 minutes	
Automatic or manual control		■		■	
Automatic after running: Extraction / Recirculation		12 / 30 minutes		12 / 30 minutes	
Interval operation		■		■	
Dishwasher safe grease filter cassette with spillage collection		Yes - 200ml capacity		Yes - 200ml capacity	
Dishwasher safe spillage overflow collector		700ml capacity		700ml capacity	
Electronic grease filter/cleanAir filter saturation indicators		- / -		- / -	
PERFORMANCE / TECHNICAL INFORMATION – HOB					
Maximum power output (W)		7,400		7,400	
Nominal voltage (V)		220-240		220-240	
Electrical cable length (cm)		110		110	
Rear left zone - power (kW) / dimensions (mm)		2.50	190 x 210	2.20	190 x 210
Rear right zone - power (kW) / dimensions (mm)		2.50	190 x 210	1.80	180
Front left zone - power (kW) / dimensions (mm)		2.50	190 x 210	2.20	190 x 210
Front right zone - power (kW) / dimensions (mm)		2.50	190 x 210	2.20	210
flexInduction zone left - power (kW) / dimensions (mm)		-	-	-	-
flexInduction zone right - power (kW) / dimensions (mm)		-	-	-	-
combiZone left - power (kW) / dimensions (mm)		3.60	380 x 210	3.60	380 x 210
combiZone right - power (kW) / dimensions (mm)		3.60	380 x 210	-	-
Rear left zone / Rear right zone - with powerBoost (max. kW)		3.70 / 3.70		3.70 / 3.10	
Front left zone / Front right zone - with powerBoost (max. kW)		3.70 / 3.70		3.70 / 3.70	
PERFORMANCE / TECHNICAL INFORMATION – EXTRACTOR					
Extractor energy efficiency rating		B		B	
Extraction rate in m ³ /h ^(1,2)					
- ducted / recirculating power level minimum		154 / 117		330 / 252	
- ducted / recirculating power level maximum		500 / 487		500 / 441	
- ducted / recirculating power level intensive		622 / 595		622 / 595	
Noise level (sound power) based on dB[A] re 1pW ^(1,4)					
- ducted / recirculating power level minimum		42 / 41		61 / 55	
- ducted / recirculating power level maximum		69 / 68		69 / 66	
- ducted / recirculating power level intensive		74 / 72		74 / 72	
Motor power (W)		170		170	

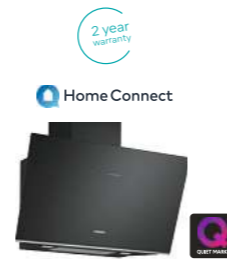
■ Yes, model has this feature. - Feature not available for this model.
All models comply with COMMISSION (EC) No. 1275/2008 with regard to ecodesign requirements for standby and off mode electric power consumption.
¹ Max 3 sensors at any time; one WSP provided. ² Air flow and noise declarations made in line with CECEC Code Of Conduct. ³ Sound power measured according to EN60704-3 on largest pipe diameter.
Data valid in this table as of April 2024. Subject to modification without prior notice.

Decorative hoods

iQ 700 LC91KLT60B

Angled glass chimney hood
Black glass

90cm



Angled hood specifications

APPLIANCE TYPE	ANGLED GLASS CHIMNEY HOOD
Width	90cm
Design family	iQ 700
Model number	LC91KLT60B
Colour	Black glass
KEY FEATURES	
Home Connect	■
Adjustable LED white colour temperature	■
climateControl sensor	■
Intelligent Hood Automatic	-
cookConnect hob based hood control	■
iQdrive	■
Intensive setting / Automatic intensive revert ¹	■ / ■
Filter Saturation Indicator	■
FEATURES	
Suitable for ducted / recirculating operation	■ / ■
Electronic power level display	■
Power levels	3 + 2 intensive
Automatic after running (minutes)	10
Lighting	2 x LED lights
Type of control	Touch control
PERFORMANCE / TECHNICAL INFORMATION	
Energy rating	A+
Appliance width (mm)	890
Extraction Rate in m³/h ^{2,3}	
- ducted / recirculating at power level 3	441 / 435
- ducted / recirculating at power level 4 or intensive setting 1	753 / 752
- ducted / recirculating, intensive setting or intensive setting 2	1007 / 964
Noise level (sound power) based on dB [A] re 1pW ^{2,4}	
- ducted / recirculating at power level 3	51 / 59
- ducted / recirculating at power level 4 or intensive setting 1	65 / 72
- ducted / recirculating, intensive setting or intensive setting 2	70 / 78
Pipe outlet diameter (mm)	150
Minimum distance above an electric / gas hob ⁵ (mm)	450 / 650
GB plug	■

■ Yes, model has this feature. – Feature not available for this model.
¹Power automatically reverts back to normal setting after intensive.
²Air Flow and noise declarations made in line with CECED Code of Conduct.
³Measured according to EN61591 on largest pipe diameter.
⁴Sound power measured according to EN60704-3 on largest pipe diameter.
⁵From top of pan supports.
Data valid in this table as of April 2024. Subject to modification without prior notice.

Angled hood specifications

APPLIANCE TYPE	ANGLED GLASS CHIMNEY HOODS	
Width	80cm	60cm
Design family	iQ 300	iQ 300
Model number	LC87KFN60B	LC67KFN60B
Colour	Black glass	Black glass
KEY FEATURES		
Home Connect	■	■
Adjustable LED white colour temperature	■	■
climateControl sensor	-	-
Intelligent Hood Automatic	■	■
cookConnect hob based hood control	■	■
iQdrive	■	■
Intensive setting / Automatic intensive revert ¹	■ / ■	■ / ■
Filter Saturation Indicator	via Home Connect	via Home Connect
FEATURES		
Suitable for ducted / recirculating operation	■ / ■	■ / ■
Electronic power level display	■	■
Power levels	3 + 1 intensive	3 + 1 intensive
Automatic after running (minutes)	10	10
Lighting	2 x LED lights	2 x LED lights
Type of control	Touch control	Touch control
PERFORMANCE / TECHNICAL INFORMATION		
Energy rating	A+	A+
Appliance width (mm)	790	590
Extraction Rate in m³/h ^{2,3}		
- ducted / recirculating at power level 3	431 / 429	431 / 429
- ducted / recirculating at power level 4 or intensive setting 1	768 / 724	768 / 724
- ducted / recirculating, intensive setting or intensive setting 2	- / -	- / -
Noise level (sound power) based on dB [A] re 1pW ^{2,4}		
- ducted / recirculating at power level 3	56 / 62	56 / 62
- ducted / recirculating at power level 4 or intensive setting 1	68 / 74	68 / 74
- ducted / recirculating, intensive setting or intensive setting 2	- / -	- / -
Pipe outlet diameter (mm)	150	150
Minimum distance above an electric / gas hob ⁵ (mm)	450 / 650	450 / 650
GB plug	■	■

■ Yes, model has this feature. – Feature not available for this model.
¹Power automatically reverts back to normal setting after intensive.
²Air Flow and noise declarations made in line with CECED Code of Conduct.
³Measured according to EN61591 on largest pipe diameter.
⁴Sound power measured according to EN60704-3 on largest pipe diameter.
⁵From top of pan supports.
Data valid in this table as of April 2024. Subject to modification without prior notice.

Box chimney hoods

iQ 300 LC97BHM50B

Box chimney hood
Stainless steel

90cm



Box chimney hood specifications

APPLIANCE TYPE	BOX CHIMNEY HOOD
Width	90cm
Design family	iQ 300
Model number	LC97BHM50B
Colour	Stainless steel
KEY FEATURES	
Intensive setting / Automatic intensive revert ¹	■ / ■
FEATURES	
Suitable for ducted / recirculating operation	■ / ■
Type of control	Touch control
Power levels	3 + 1 intensive
Electronic power level display	■
Automatic after running (minutes)	-
Lighting	2 x LED lights
PERFORMANCE / TECHNICAL INFORMATION	
Appliance width (mm)	900
Extraction Rate in m ³ /h ^{2,3}	
- ducted / recirculating at power level 3	454 / 404
- ducted / recirculating at power level 4 or intensive setting 1	739 / 499
Noise level (sound power) based on dB [A] re 1pW ^{2,4}	
- ducted / recirculating at power level 3	65 / 82
- ducted / recirculating at power level 4 or intensive setting 1	74 / 76
Pipe outlet diameter (mm)	150 / 120
Minimum distance above an electric / gas hob ⁵ (mm)	550 / 650
GB plug	■
Energy rating	B

■ Yes, model has this feature. - Feature not available for this model.

¹Power automatically reverts back to normal setting after intensive.

²Air Flow and noise declarations made in line with CECED Code of Conduct.

³Measured according to EN61591 on largest pipe diameter.

⁴Sound power measured according to EN60704-3 on largest pipe diameter.

⁵From top of pan supports.

Data valid in this table as of April 2024. Subject to modification without prior notice.

Box chimney hood specifications

APPLIANCE TYPE	BOX CHIMNEY HOODS	
Width	60cm	60cm
Design family	iQ 300	iQ 100
Model number	LC67BHM50B	LC64BHC50B
Colour	Stainless steel	Stainless steel
KEY FEATURES		
Intensive setting / Automatic intensive revert ¹	■ / ■	- / -
FEATURES		
Suitable for ducted / recirculating operation	■ / ■	■ / ■
Type of control	Touch control	Push button control
Power levels	3 + 1 intensive	3
Electronic power level display	■	-
Automatic after running (minutes)	-	-
Lighting	2 x LED lights	2 x LED lights
PERFORMANCE / TECHNICAL INFORMATION		
Appliance width (mm)	600	600
Extraction Rate in m ³ /h ^{2,3}		
- ducted / recirculating at power level 3	459 / 404	365 / 197
- ducted / recirculating at power level 4 or intensive setting 1	752 / 499	- / -
Noise level (sound power) based on dB [A] re 1pW ^{2,4}		
- ducted / recirculating at power level 3	64 / 72	63 / 66
- ducted / recirculating at power level 4 or intensive setting 1	73 / 76	- / -
Pipe outlet diameter (mm)	150 / 120	150 / 120
Minimum distance above an electric / gas hob ⁵ (mm)	550 / 650	550 / 650
GB plug	■	■
Energy rating	B	D

■ Yes, model has this feature. - Feature not available for this model.

¹Power automatically reverts back to normal setting after intensive.

²Air Flow and noise declarations made in line with CECED Code of Conduct.

³Measured according to EN61591 on largest pipe diameter.

⁴Sound power measured according to EN60704-3 on largest pipe diameter.

⁵From top of pan supports.

Data valid in this table as of April 2024. Subject to modification without prior notice.

Integrated design hoods

iQ500 LJ97BAM60B

Integrated extractor hood
Black body & fold out glass

90cm



Integrated design hood specifications



APPLIANCE TYPE	INTEGRATED DESIGN HOODS	
Width	90cm	60cm
Design family	iQ500	iQ500
Model number	LJ97BAM60B	LJ67BAM60B
Colour	Black	Black
SPECIAL FEATURES		
Storage space	10kg each side	10kg each side
Intensive setting / Automatic intensive revert ¹	■ / ■	■ / ■
FEATURES		
Suitable for ducted / recirculating operation	■ / ■	■ / ■
Power levels	3 + 1 intensive	3 + 1 intensive
Lighting	2 x LED lights	2 x LED lights
Type of control	Touch control	Touch control
PERFORMANCE / TECHNICAL INFORMATION		
Energy rating	B	B
Appliance width (mm)	897	597
Extraction Rate in m³/h ^{2,3}		
- ducted / recirculating at power level 3	460 / 451	460 / 451
- ducted / recirculating, intensive setting 1	749 / 652	749 / 652
Noise level (sound power) based on dB [A] re 1pW ^{2,4}		
- ducted / recirculating at power level 3	63 / 67	63 / 67
- ducted / recirculating, intensive setting 1	73 / 74	73 / 74
Pipe outlet diameter (mm)	150 / 120	150 / 120
Minimum distance above an electric / gas hob ⁵ (mm)	430 / 650	430 / 650
GB plug	■	■

■ Yes, model has this feature. – Feature not available for this model.
¹Power automatically reverts back to normal setting after intensive.
²Air Flow and noise declarations made in line with CECEC Code of Conduct.
³Measured according to EN61591 on largest pipe diameter.
⁴Sound power measured according to EN60704-3 on largest pipe diameter.
⁵From top of pan supports.
Data valid in this table as of April 2024. Subject to modification without prior notice.



Model shown: LJ97BAM60B integrated design hood

Telescopic hoods

iQ 300 LI94MA531B

Telescopic extractor hood
Stainless steel

90cm



Telescopic hood specifications

APPLIANCE TYPE	TELESCOPIC HOODS	
	90cm	60cm
Width	90cm	60cm
Design family	iQ 300	iQ 300
Model number	LI94MA531B	LI64MA531B
Colour	Silver metallic lacquer	Silver metallic lacquer
KEY FEATURES		
iQdrive®	■	■
Intensive setting / Automatic intensive revert ¹	■ / ■	■ / ■
FEATURES		
Suitable for ducted / recirculating operation	■ / ■	■ / ■
Furniture door required	■	■
Automatic after running (minutes)	10	10
Lighting	3 x LED	2 x LED
Controls	Soft touch	Soft touch
Power levels	3 + 1 intensive	3 + 1 intensive
PERFORMANCE / TECHNICAL INFORMATION		
Energy rating	A	A
Appliance width (mm)	898	598
Extraction Rate in m³/h ^{2,3}		
- ducted / recirculating at power level 3	266 / 263	268 / 263
- ducted / recirculating, intensive level 1	412 / 353	400 / 353
Noise level (sound power) based on dB [A] re 1pW ^{2,4}		
- ducted / recirculating at power level 3	63 / 64	62 / 64
- ducted / recirculating, intensive level 1	70 / 68	69 / 68
Pipe outlet diameter (mm)	150 / 120	150 / 120
Minimum distance above an electric / gas hob ⁵ (mm)	430 / 650	430 / 650
GB plug	■	■

■ Yes, model has this feature. – Feature not available for this model.

¹Power automatically reverts back to normal setting after intensive.

²Air Flow and noise declarations made in line with CECEC Code of Conduct.

³Measured according to EN61591 on largest pipe diameter.

⁴Sound power measured according to EN60704-3 on largest pipe diameter.

⁵From top of pan supports.

Data valid in this table as of April 2024. Subject to modification without prior notice.



Integrated hood

iQ 100 LE66MAC00B

Integrated extractor hood
Metallic silver

60cm



Integrated hood specifications

APPLIANCE TYPE	INTEGRATED HOOD
Width	60cm
Design family	iQ 100
Model number	LE66MAC00B
Colour	Silver metallic lacquer
FEATURES	
Suitable for ducted / recirculating operation	■ / ■
Type of control	Push button control
Power levels	3
Lighting	2 x LED lights
PERFORMANCE / TECHNICAL INFORMATION	
Energy rating	B
Appliance width (mm)	599
Extraction Rate in m³/h ^{2,3}	
- ducted / recirculating at power level 1	256 / 208
- ducted / recirculating at power level 2	352 / 320
- ducted / recirculating at power level 3	625 / 416
Noise level (sound power) based on dB [A] re 1pW ^{2,4}	
- ducted / recirculating at power level 1	49 / 57
- ducted / recirculating at power level 2	56 / 68
- ducted / recirculating at power level 3	70 / 75
Pipe outlet diameter (mm)	150 / 120
Minimum distance above an electric / gas hob ⁵ (mm)	500 / 650
GB plug	■

■ Yes, model has this feature. – Feature not available for this model.

¹Power automatically reverts back to normal setting after intensive.

²Air Flow and noise declarations made in line with CECEC Code of Conduct.

³Measured according to EN61591 on largest pipe diameter.

⁴Sound power measured according to EN60704-3 on largest pipe diameter.

⁵From top of pan supports.

Data valid in this table as of April 2024. Subject to modification without prior notice.



Canopy hoods

iQ 500 LB78574GB

Canopy hood
Stainless steel

70cm



Canopy hood specifications

APPLIANCE TYPE	CANOPY HOOD
Width	70 / 73cm
Design family	iQ 500
Model number	LB78574GB
Colour	Stainless steel
KEY FEATURES	
Intensive setting / Automatic intensive revert ¹	■ / ■
FEATURES	
Suitable for ducted / recirculating operation	■ / ■
Type of control	Soft touch button control
Power levels	3 + 1 intensive
Lighting	2 x LED lights
Number of metal grease filter cassettes	2
PERFORMANCE / TECHNICAL INFORMATION	
Energy rating	C
Appliance width (mm)	700
Extraction Rate in m ³ /h ^{2,3}	
- ducted / recirculating at power level 3	630 / 571
- ducted / recirculating at power level 4 or intensive setting 1	730 / 664
Noise level (sound power) based on dB [A] re 1pW ^{2,4}	
- ducted / recirculating at power level 3	66 / 72
- ducted / recirculating at power level 4 or intensive setting 1	69 / 75
Pipe outlet diameter (mm)	150 / 120
Minimum distance above an electric / gas hob ⁵ (mm)	500 / 650
GB plug	■

■ Yes, model has this feature. – Feature not available for this model.

¹Power automatically reverts back to normal setting after intensive.

²Air Flow and noise declarations made in line with CECED Code of Conduct.

³Measured according to EN61591 on largest pipe diameter.

⁴Sound power measured according to EN60704-3 on largest pipe diameter.

⁵From top of pan supports.

Data valid in this table as of April 2024. Subject to modification without prior notice.

Canopy hood specifications



APPLIANCE TYPE	CANOPY HOODS		
Width	70 / 73cm	52 / 53cm	
Design family	iQ 300	iQ 500	iQ 100
Model number	LB75565GB	LB57574GB	LB53NAA30B
Colour	Silver metallic lacquer	Stainless steel	Silver metallic lacquer
KEY FEATURES			
Intensive setting / Automatic intensive revert ¹	■ / –	■ / ■	– / –
FEATURES			
Suitable for ducted / recirculating operation	■ / ■	■ / ■	■ / ■
Type of control	Slider switch	Soft touch button control	Push button control
Power levels	3 + 1 intensive	3 + 1 intensive	3
Lighting	2 x LED lights	2 x LED lights	2 x LED lights
Number of metal grease filter cassettes	2	1	1
PERFORMANCE / TECHNICAL INFORMATION			
Energy rating	C	C	D
Appliance width (mm)	730	520	534
Extraction Rate in m ³ /h ^{2,3}			
- ducted / recirculating at power level 3	379 / 278	560 / 533	302 / 300
- ducted / recirculating at power level 4 or intensive setting 1	638 / 408	615 / 581	– / –
Noise level (sound power) based on dB [A] re 1pW ^{2,4}			
- ducted / recirculating at power level 3	56/65	67 / 72	62 / 65
- ducted / recirculating at power level 4 or intensive setting 1	68/72	70 / 74	– / –
Pipe outlet diameter (mm)	150/120	150/120	120
Minimum distance above an electric / gas hob ⁵ (mm)	650/650	500/650	550/650
GB plug	■	■	■

■ Yes, model has this feature. – Feature not available for this model.

¹Power automatically reverts back to normal setting after intensive.

²Air Flow and noise declarations made in line with CECED Code of Conduct.

³Measured according to EN61591 on largest pipe diameter.

⁴Sound power measured according to EN60704-3 on largest pipe diameter.

⁵From top of pan supports.

Data valid in this table as of April 2024. Subject to modification without prior notice.

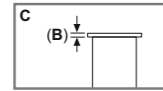
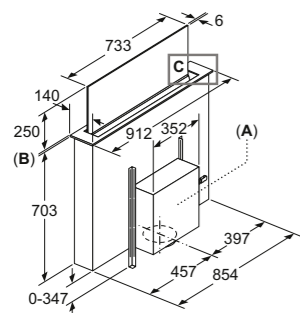
Hood technical diagrams

studioLine glassdraftAir hood LD98WMM66

Full range of technical diagrams for seamless installation can be found online at siemens-home.bsh-group.com/uk



Scan to view installation options

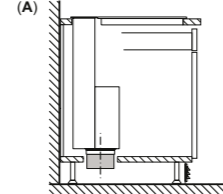


A: Installation of motor unit on front/rear or offset laterally with max. 3 m clearance (special accessory required)

Motor unit must always be accessible

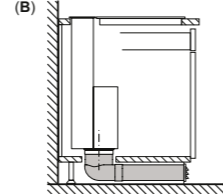
B: 5.5 mm

Planning recommendation, air recirculation



A: Exterior wall – U-value $\leq 0.5 \text{ W/(m}^2\text{K)}$

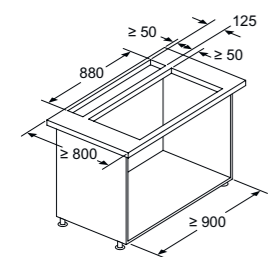
Standard installation: Partially laid around the toe kick



B: Exterior wall – U-value $> 0.5 \text{ W/(m}^2\text{K)}$

Installation with fully laid pipework to the toe kick for poorly insulated exterior walls or above cold floors

Combination with electric hob

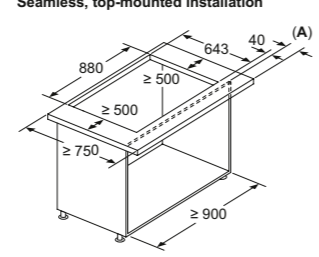


Combination with gas hob is not possible

To prevent power loss, observe the following:

- Do not install upper cabinets above the appliance
- Clearance of open shelf elements above the appliance min. 650 mm (recommended)
- Left/right clearance between appliance and wall/adjacent upper cabinet min. 500 mm
- Clearance between appliance frame and wall min. 50 mm

Combination with electric hob Seamless, top-mounted installation



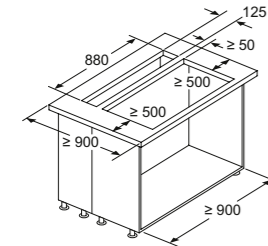
A: Worktop overlap to kitchen cabinet

Combination with gas hob is not possible

To prevent power loss, observe the following:

- Do not install upper cabinets or open shelf elements above the appliance
- Left/right distance between appliance and wall/adjacent upper cabinet min. 500 mm
- Distance between appliance frame and wall min. 50 mm

Combination with electric hob Standard, top-mounted installation



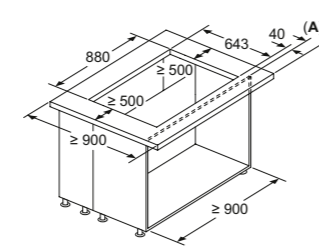
Standard: with worktop divider between downdraft and hob

Combination with gas hob is not possible

To prevent power loss, observe the following:

- Do not install upper cabinets or open shelf elements above the appliance
- Left/right distance between appliance and wall/adjacent upper cabinet min. 500 mm

Combination with electric hob Seamless, top-mounted installation



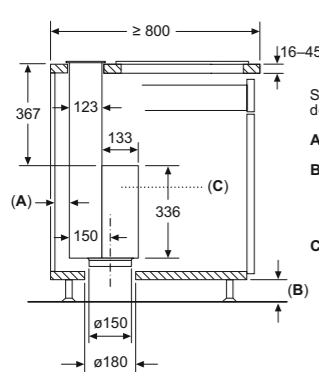
A: Worktop overlap to kitchen cabinet

Combination with gas hob is not possible

To prevent power loss, observe the following:

- Do not install upper cabinets or open shelf elements above the appliance
- Left/right distance between appliance and wall/adjacent upper cabinet min. 500 mm

Standard, top-mounted installation



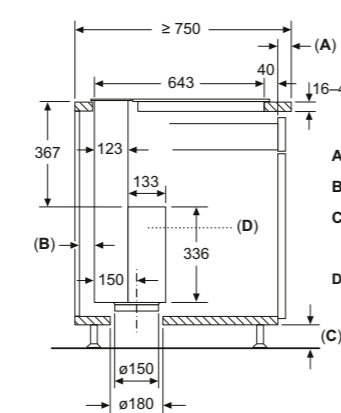
Standard: with worktop divider between downdraft and hob

A: $\geq 20 \text{ mm}$ between the Guided Air suction area and a cabinet wall
B: $\geq 60 \text{ mm}$ for air recirculation

$\geq 100 \text{ mm}$ for air extraction with ducting in the plinth

C: Motor unit must always be accessible

Seamless, top-mounted installation (Special accessory required)



A: Worktop overlap to kitchen cabinet

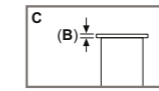
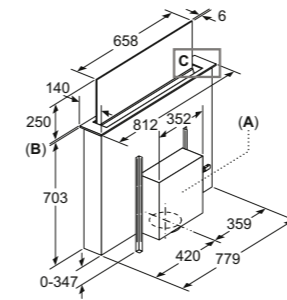
B: $\geq 20 \text{ mm}$ between the Guided Air suction area and a cabinet wall

C: $\geq 60 \text{ mm}$ for air recirculation

$\geq 100 \text{ mm}$ for air extraction with ducting in the plinth

D: Motor unit must always be accessible

studioLine glassdraftAir hood LD88WMM66B

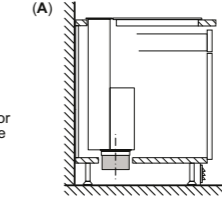


A: Installation of motor unit on front/rear or offset laterally with max. 3 m clearance (special accessory required)

Motor unit must always be accessible

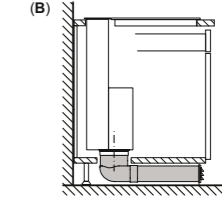
B: 5.5 mm

Planning recommendation, air recirculation



A: Exterior wall – U-value $\leq 0.5 \text{ W/(m}^2\text{K)}$

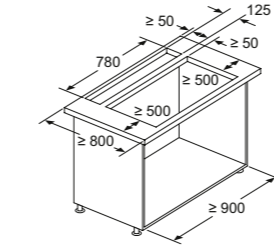
Standard installation: Partially laid around the toe kick



B: Exterior wall – U-value $> 0.5 \text{ W/(m}^2\text{K)}$

Installation with fully laid pipework to the toe kick for poorly insulated exterior walls or above cold floors

Combination with electric hob Standard, top-mounted installation



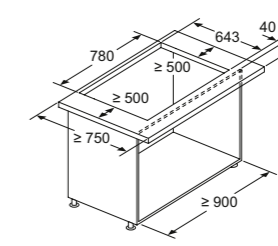
Standard: with worktop divider between downdraft and hob

Combination with gas hob is not possible

To prevent power loss, observe the following:

- Do not install upper cabinets or open shelf elements above the appliance
- Left/right distance between appliance and wall/adjacent upper cabinet min. 500 mm
- Distance between appliance frame and wall min. 50 mm

Combination with electric hob Seamless, top-mounted installation



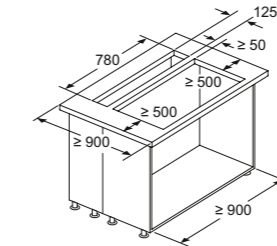
A: Worktop overlap to kitchen cabinet

Combination with gas hob is not possible

To prevent power loss, observe the following:

- Do not install upper cabinets or open shelf elements above the appliance
- Left/right distance between appliance and wall/adjacent upper cabinet min. 500 mm
- Distance between appliance frame and wall min. 50 mm

Combination with electric hob Standard, top-mounted installation



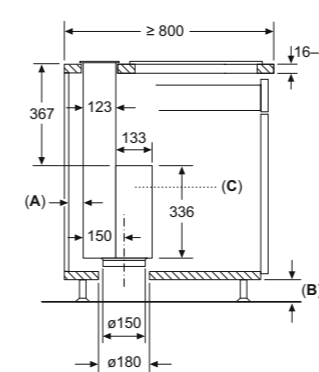
Standard: with worktop divider between downdraft and hob

Combination with gas hob is not possible

To prevent power loss, observe the following:

- Do not install upper cabinets or open shelf elements above the appliance
- Left/right distance between appliance and wall/adjacent upper cabinet min. 500 mm

Standard, top-mounted installation



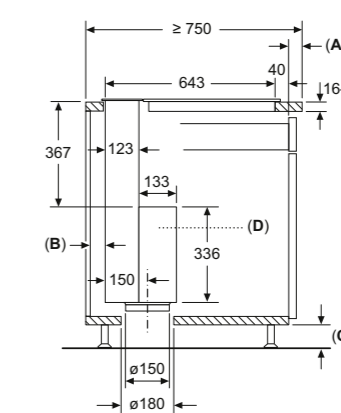
Standard: with worktop divider between downdraft and hob

A: $\geq 20 \text{ mm}$ between the Guided Air suction area and a cabinet wall
B: $\geq 60 \text{ mm}$ for air recirculation

$\geq 100 \text{ mm}$ for air extraction with ducting in the plinth

C: Motor unit must always be accessible

Seamless, top-mounted installation (Special accessory required)



A: Worktop overlap to kitchen cabinet

B: $\geq 20 \text{ mm}$ between the Guided Air suction area and a cabinet wall

C: $\geq 60 \text{ mm}$ for air recirculation

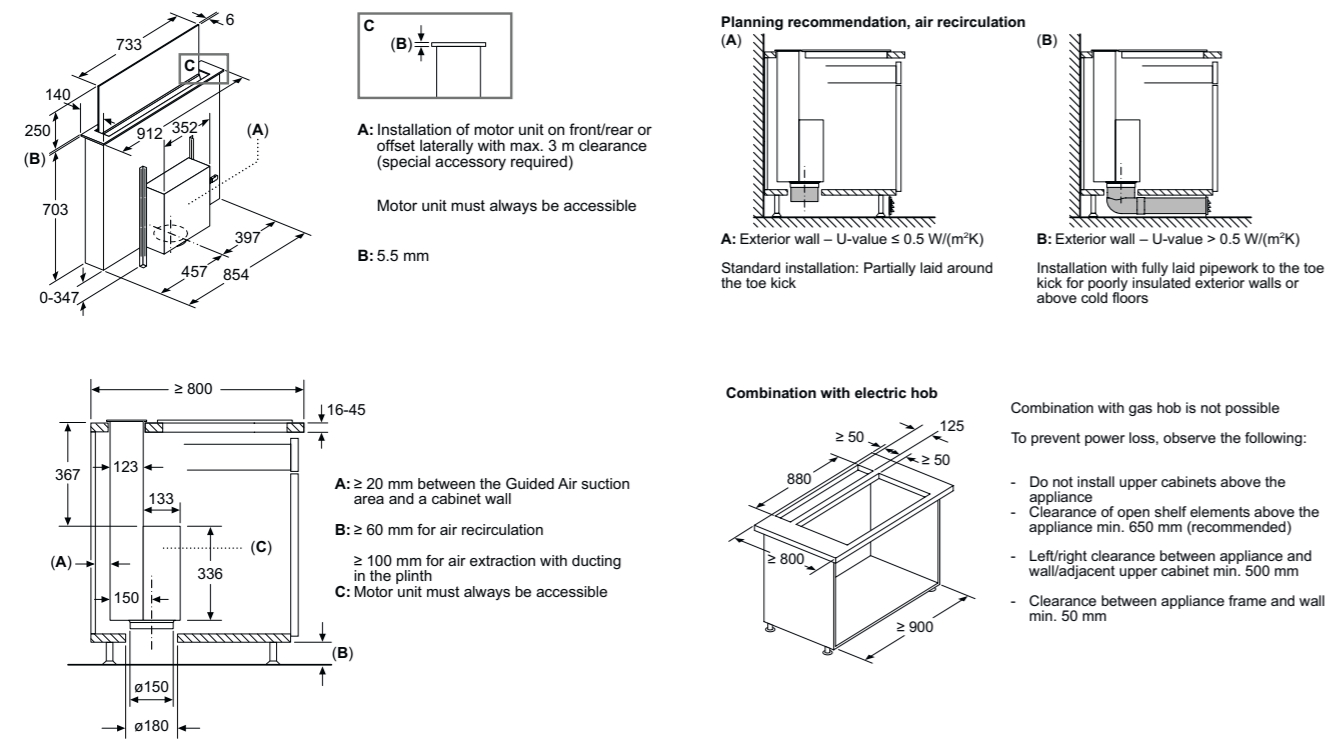
$\geq 100 \text{ mm}$ for air extraction with ducting in the plinth

D: Motor unit must always be accessible

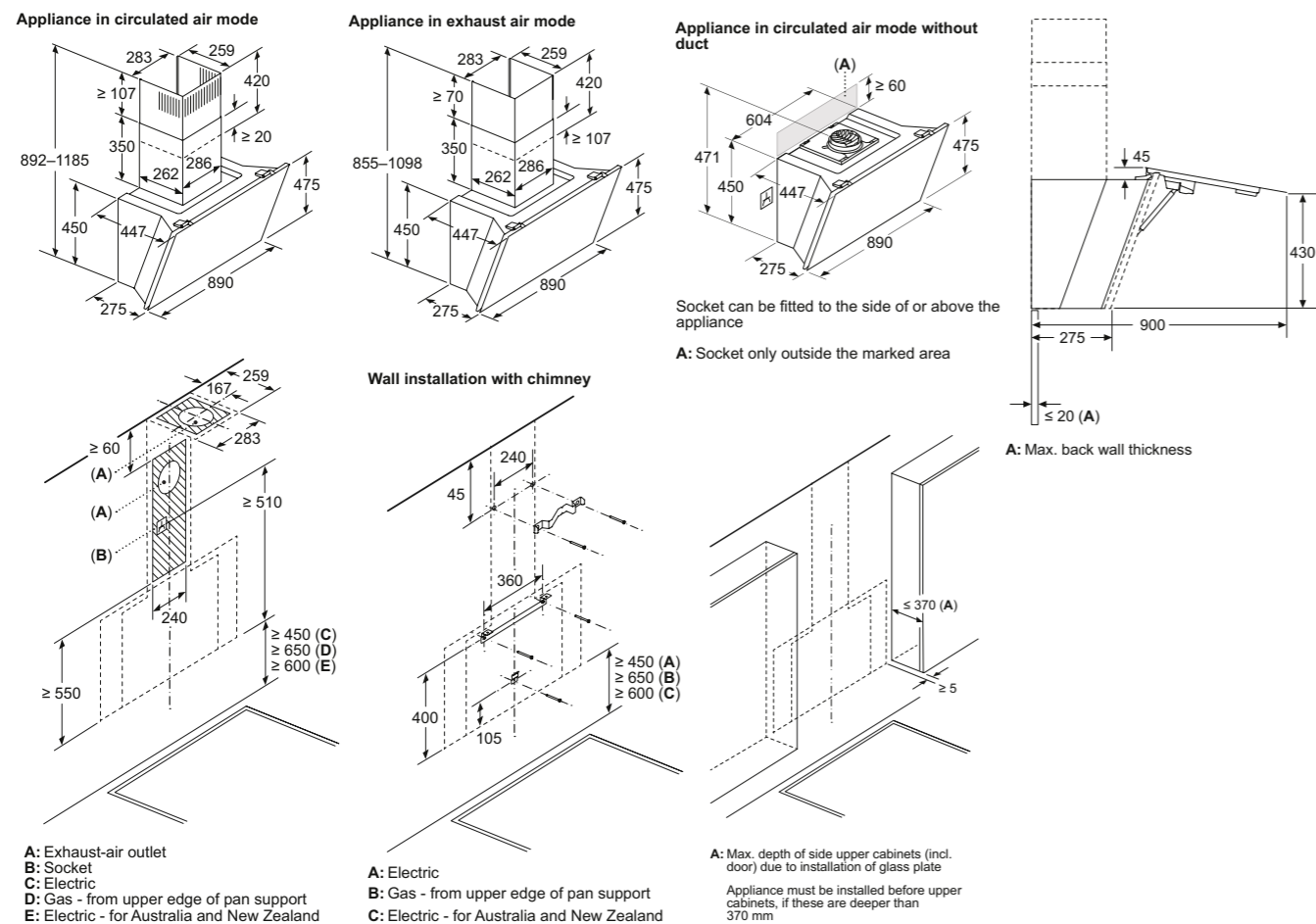
Hood technical diagrams

glassdraftAir hood LD98WMM60B

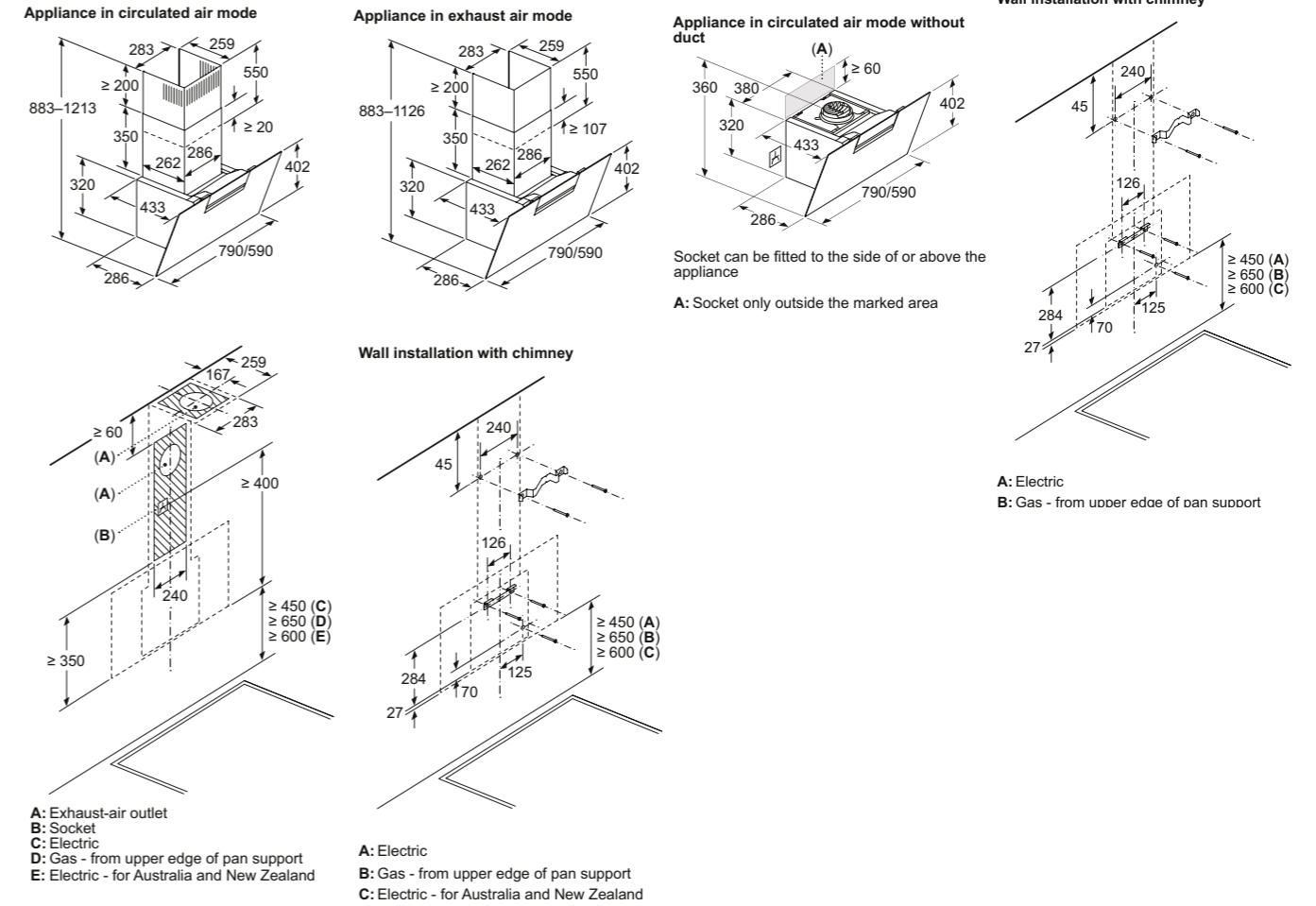
Technical diagrams for seamless installation can be found online at siemens-home.bsh-group.com/uk



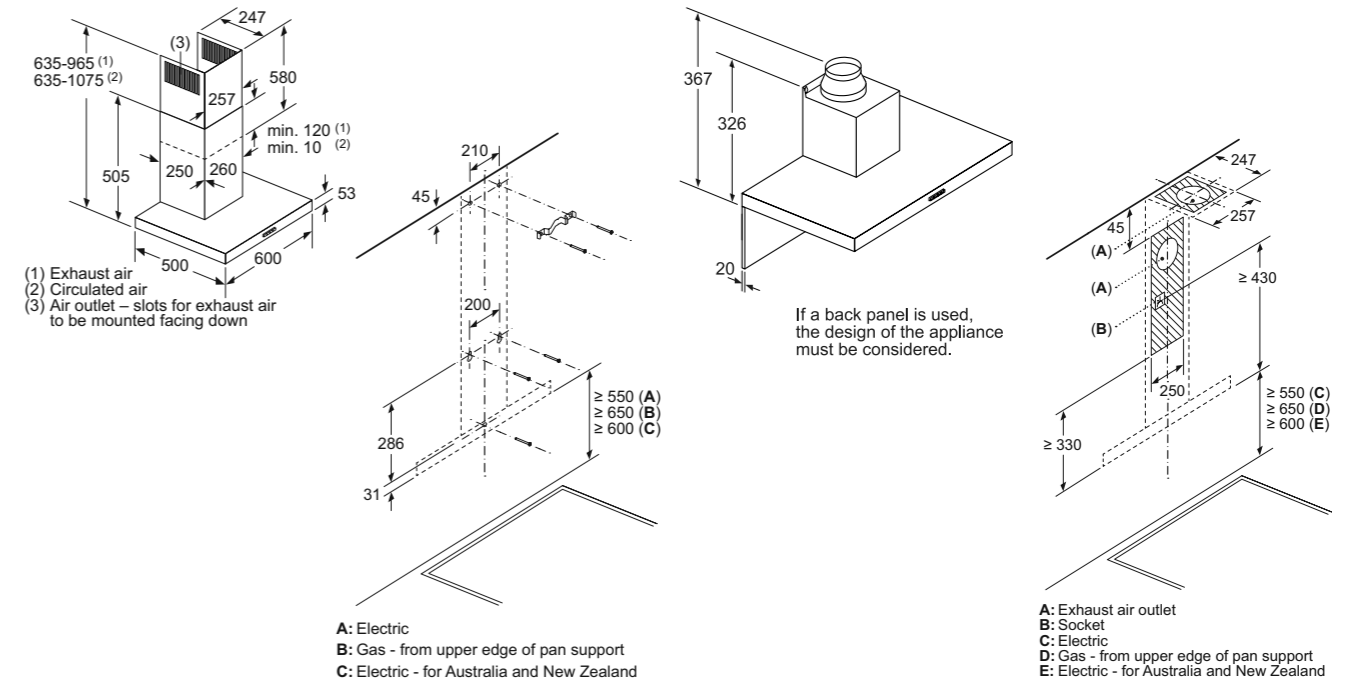
Angled chimney hood LC91KLT60B



Angled chimney hoods LC87KFN60B and LC67KFN60B

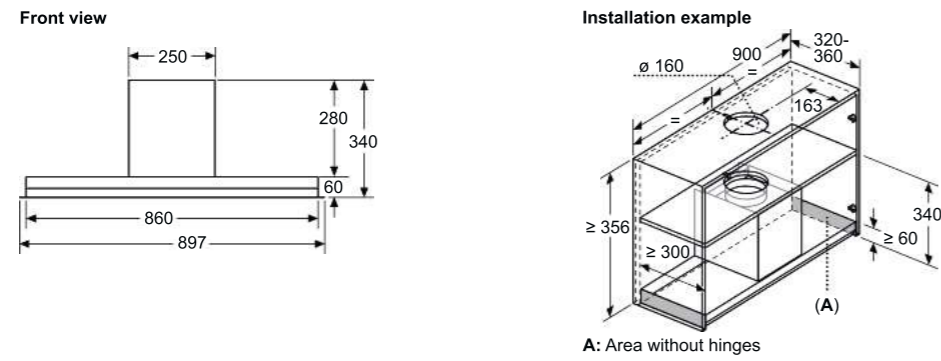


Box chimney hoods LC97BHM50B, LC67BHM50B and LC64BBC50B



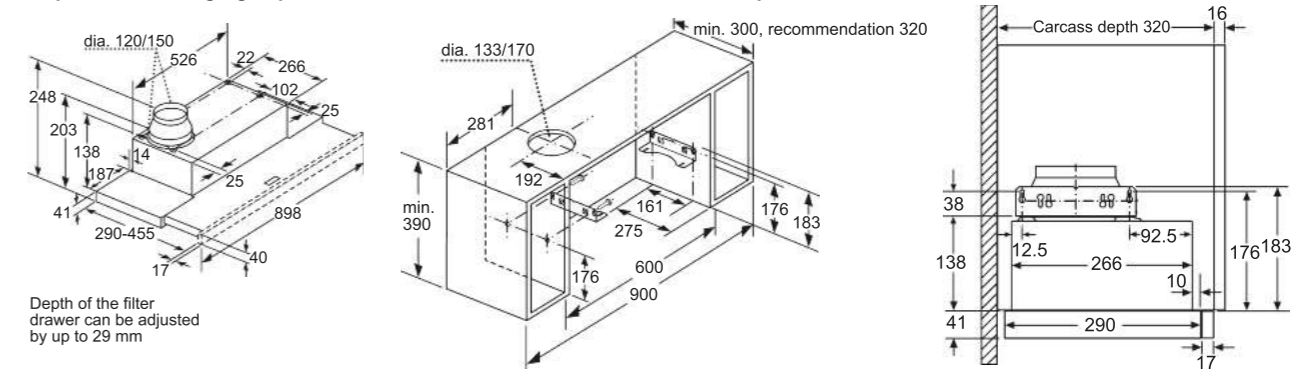
Hood technical diagrams

Integrated design hood LJ97BAM60B

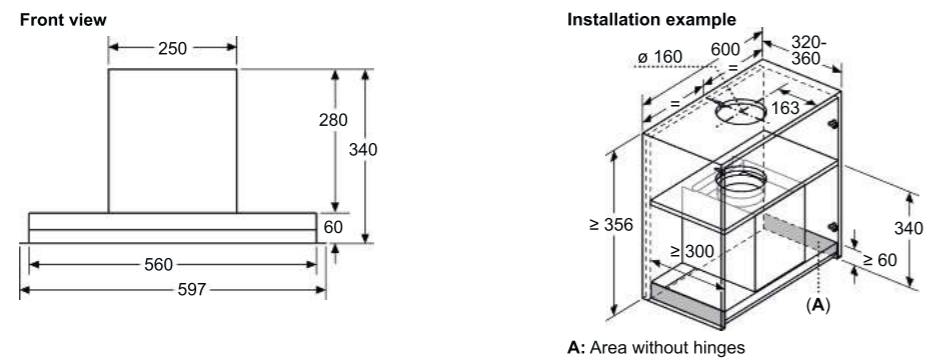


Telescopic hood LI94MA531B

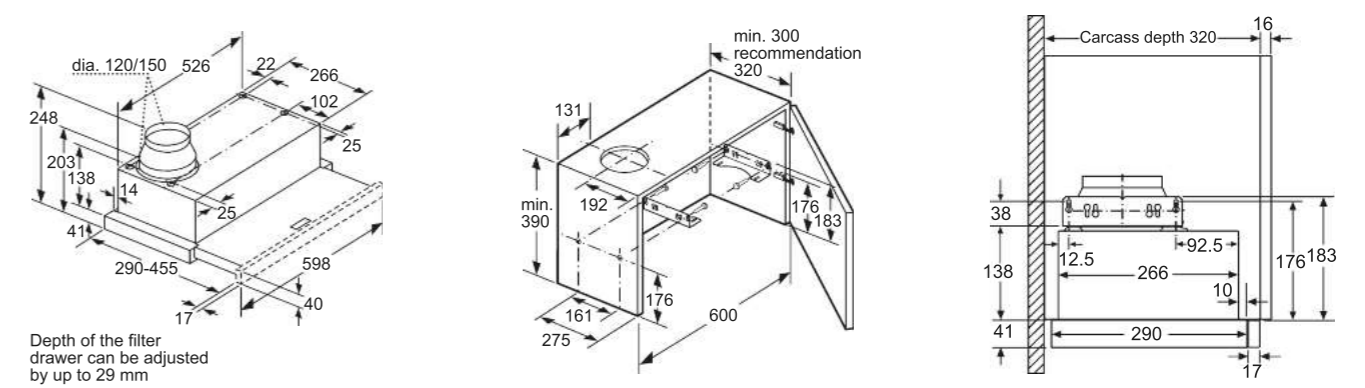
For installing the 90cm telescopic hood in a 90cm wide wall-hanging cupboard, a special wall-hanging cupboard from the kitchen unit manufacturer is required.



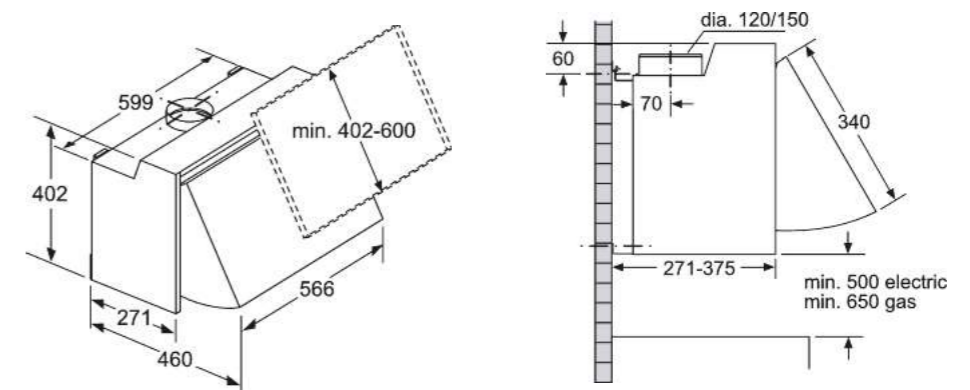
Integrated design hood LJ67BAM60B



Telescopic hood LI64MA531B

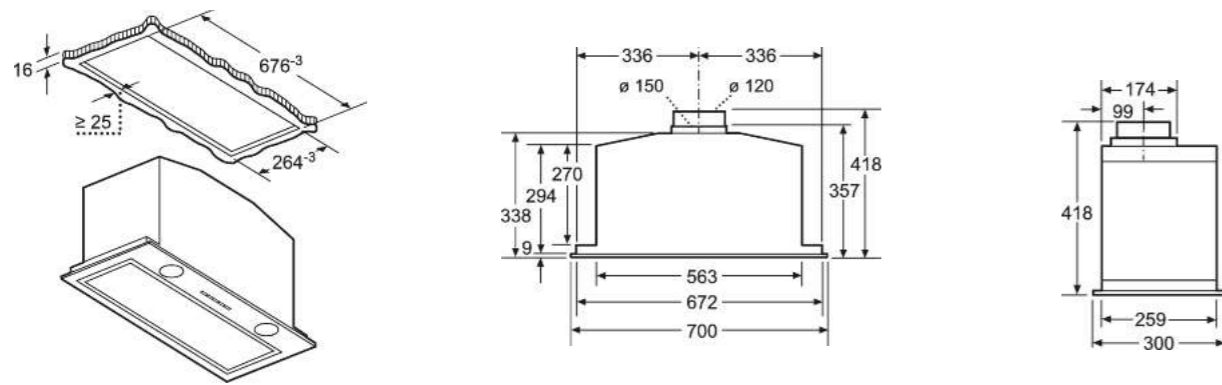


Integrated hoods LE66MAC00B

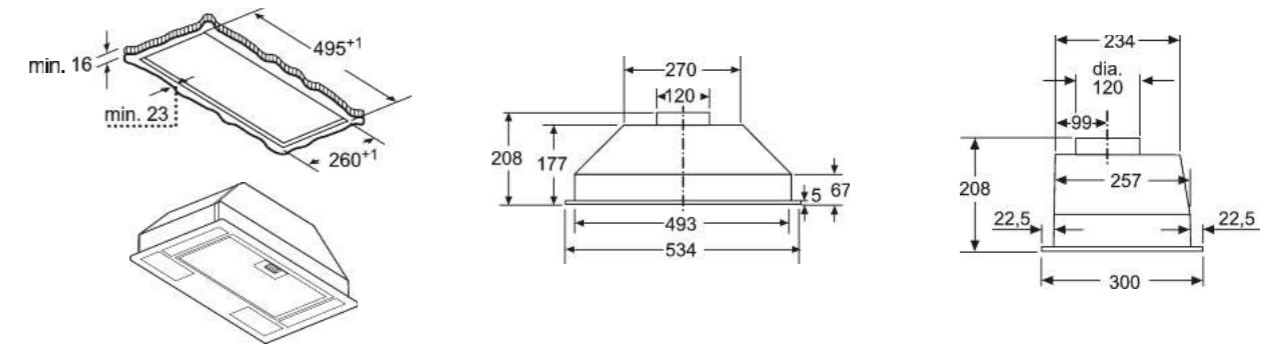


Hood technical diagrams

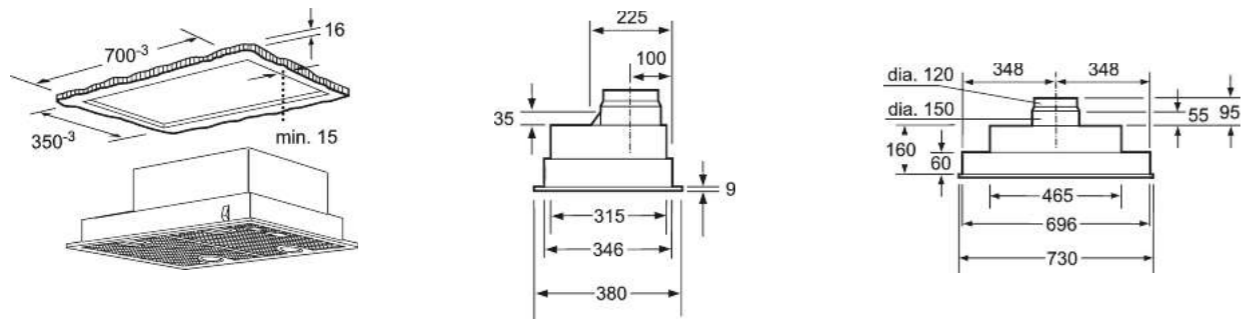
Canopy hoods LB78574GB



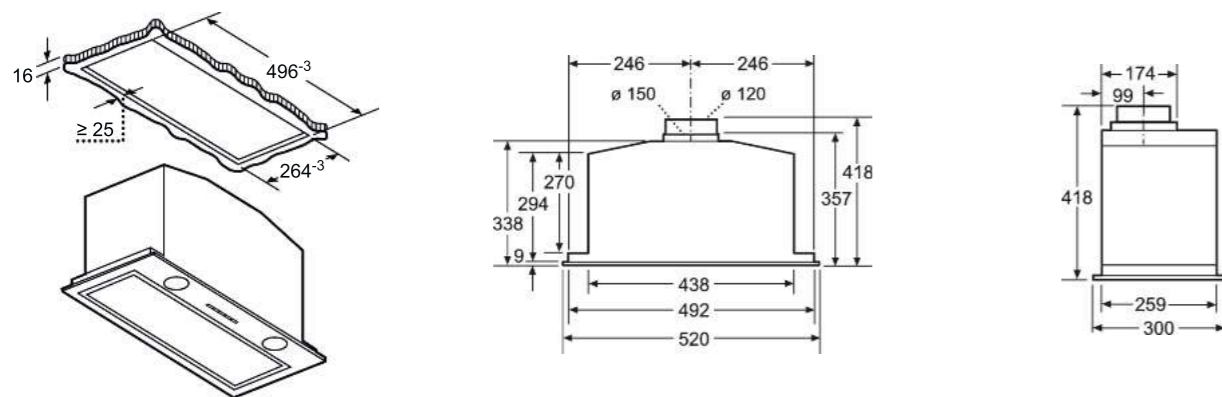
Canopy hood LB53NAA30B



Canopy hood LB75565GB



Canopy hood LB57574GB



studioLine

Personalised cooling, aCool Modular refrigeration

Intelligent cooling from studioLine.

The studioLine aCool range offers the perfect level of personalisation with seamless design. Everything can be adjusted to meet the user's lifestyle and needs. Thanks to the modular concept, these cooling solutions offer endless possibilities to meet the highest demands. aCool can be combined without any restrictions, and as individually as needed. Attention to detail and high-end quality is apparent in every feature of this range.

The appliances can be customised even further with our optional stainless steel door panels and handles or they can complement the rest of the kitchen furniture instead by mounting panels to the door, matching the kitchen furniture design.

Mix and match from a selection of multi-door fridge freezers, fridges, freezers and wine coolers to create a bespoke cooling solution – all with 5 year warranty.



aCool

Siemens aCool warranties:



5 year warranty

A five year warranty is available on all Siemens aCool appliances listed in this brochure to protect against manufacturing and material faults during this warranty period.



Compressor Drive 10 Year Warranty

Available on selected Siemens built-in fridges and fridge freezers, this warranty covers defects in the compressor motor.

To find out more about warranty and for registration, please visit:
siemens-home.bsh-group.com/uk/customer-service/siemens-warranties



studioLine

An exceptional solution awaits...

These appliances can easily become a part of a side-by-side arrangement.

Delivering big when it comes to creating cooling spaces. With appliances usually coming in two different sizes, allowing more configuration possibilities.

Position the appliances to suit every need. Whichever and however they are required.

Depending on the chosen arrangement additional installation accessories are required. Please follow the rules below to order the correct ones:

- If the appliances are installed handle to handle you will need a side-by-side installation kit.
- If the appliances are installed handle to hinge you will need a heating kit.
- If the appliances are installed hinge to hinge you will need a heating kit.

Please note when the spacing between appliances is over 160mm the kits are not required.

Accessories

- CI60Z200 Heating kit
- CI60Z000 Installation kit for side-by-side installation (without heating kit)

Models shown:

FI30NP33 (left) freezer installed side-by-side with CI30RP02 (right) fridge using side-by-side kit fridge freezer

A modular system providing endless possibilities



studioLine

Build an individual cooling zone with studioLine aCool cooling appliances and experience space, sophisticated design and performance wrapped up in one.



Freezer and fridge

Experience the traditional side-by-side combination with a difference, with an aCool freezer and fridge, available in both a smaller or larger widths to suit all needs.



Wine cabinet and multi-door fridge with bottom freezer drawer

Choose the ideal combination, like a Siemens wine cabinet and a fridge right next to each other.



Wine cabinet, fridge and freezer

Combine everyone's needs in one place to make an outstanding visual and practical statement. Mix and match wine cabinet, fridge and freezer by placing them side-by-side and create a tailored set that meets all expectations.



Wine cabinet and fridge with bottom freezer drawer

In combination with a studioLine wine cabinet, the fridge with bottom freezer could be the right solution. A 'grand opening' to enjoy every day.

studioLine aCool



aCool fridge freezer specifications

APPLIANCE TYPE	ACOOOL FRIDGE FREEZER	ACOOOL FRIDGE FREEZER
Design family	IQ700	IQ700
Model number	CI36TP02	CI30BP02
DESIGN FEATURES		
Door colour	Stainless steel	Stainless steel
Fridge / Freezer split	-	-
noFrost	■	■
lowFrost or Manual defrost	-	-
softClose hinge	-	-
Type of hinge (reversible)	Fixed hinge	Fixed hinge
Home Connect	■	■
FOOD FRESHNESS SYSTEM		
hyperFresh	2 x hyperFresh drawers	2 x hyperFresh drawers
KEY FEATURES – FRIDGE SECTION		
Light	LED	LED
superCool function	■	■
Type of control	Electronic	Electronic
Number of shelves	3	3
Number of adjustable shelves	2	2
Number of door bins / shelves	6	3
Type of shelves	Safety glass	Safety glass
Temperature display	Digital LED	Digital LED
Warning signal door open	■	■
Bottle shelves in fridge	-	-
KEY FEATURES – FREEZER SECTION		
superFreeze function	■	■
Temperature adjustable in freezer	■	■
Number of ice cube trays	Automatic ice maker	Automatic ice maker
Number of freezer drawers	1	1
ADDITIONAL INFORMATION		
Energy efficiency class	A F	A E
Energy consumption ¹ (kWh/annum)	415	295
Total net capacity (litres)	552	452
Freezer net capacity (litres)	166	136
Climate class ²	SN-T	SN-T
Noise level (dB [A] re 1pW)	42	42
Noise level class	D	D
Additional accessories included	1 x ice container 1 x ice scoop 1 x connection hose	1 x ice container 1 x ice scoop 1 x connection hose
Height of product (mm)	2125	2125
Width of product (mm)	908	756
Depth of product (mm)	608	608

■ Yes, model has this feature. – Feature not available for this model.

¹ Actual energy consumption will depend on how the appliance is used and where it is located.

² Climate zone SN = designed to operate in ambient temperature of +10°C to 32°C.
Climate zone T = designed to operate in ambient temperature of +18°C to 43°C.

Data valid in this table as of April 2024. Subject to modification without prior notice.



aCool single door fridge and freezer specifications

APPLIANCE TYPE	ACOOOL SINGLE DOOR FRIDGE	ACOOOL SINGLE DOOR FREEZER	ACOOOL SINGLE DOOR FRIDGE	ACOOOL SINGLE DOOR FREEZER
Design family	IQ700	IQ700	IQ700	IQ700
Model number	CI24RP02	FI24NP33	CI30RP02	FI30NP33
DESIGN FEATURES				
Door colour	Stainless steel	Stainless steel	Stainless steel	Stainless steel
Fridge / Freezer split	-	-	-	-
noFrost	-	■	-	■
lowFrost or Manual defrost	-	-	-	-
softClose hinge	-	-	-	-
Type of hinge (reversible)	Fixed hinge	Fixed hinge	Fixed hinge	Fixed hinge
Home Connect	■	■	■	■
FOOD FRESHNESS SYSTEM				
hyperFresh	2 x hyperFresh drawers 1 x vegetable box	-	2 x hyperFresh drawers 1 x vegetable box	-
KEY FEATURES – FRIDGE SECTION				
Light	LED	-	LED	-
superCool function	■	-	■	-
Type of control	Electronic	Electronic	Electronic	Electronic
Number of shelves	4	-	4	-
Number of adjustable shelves	3	-	3	-
Number of door bins / shelves	4	-	4	-
Type of shelves	Safety glass	-	Safety glass	-
Temperature display	Digital LED	Digital LED	Digital LED	Digital LED
Warning signal door open	■	■	■	■
Bottle shelves in fridge	-	-	-	-
KEY FEATURES – FREEZER SECTION				
superFreeze function	-	■	-	■
Temperature adjustable in freezer	-	■	-	■
Number of ice cube trays	-	Automatic ice maker	-	Automatic ice maker
Number of freezer drawers	-	2	-	2
ADDITIONAL INFORMATION				
Energy efficiency class	A E	A E	A F E	A E
Energy consumption ¹ (kWh/annum)	150	284	166	321
Total net capacity (litres)	357	344	467	445
Freezer net capacity (litres)	-	344	-	445
Climate class ²	SN-T	SN-T	SN-T	SN-T
Noise level (dB [A] re 1pW)	40	42	40	42
Noise level class	C	D	C	D
Additional accessories included	-	1 x ice container 1 x ice scoop 1 x connection hose	1 x egg tray	1 x ice container 1 x ice scoop 1 x connection hose
Height of product (mm)	2125	2125	2125	2125
Width of product (mm)	603	603	756	756
Depth of product (mm)	608	608	608	608

■ Yes, model has this feature. – Feature not available for this model.

¹ Actual energy consumption will depend on how the appliance is used and where it is located.

² Climate zone SN = designed to operate in ambient temperature of +10°C to 32°C.
Climate zone T = designed to operate in ambient temperature of +18°C to 43°C.

Data valid in this table as of April 2024. Subject to modification without prior notice.



studioLine aCool



aCool wine cooler specifications

APPLIANCE TYPE	ACOOOL WINE COOLER	ACOOOL WINE COOLER
Design family	IQ 700	IQ 700
Model number	C118WP03	C124WP03
DESIGN FEATURES		
Door colour	Stainless steel	Stainless steel
Colour of door panels	-	-
Colour of side panels	-	-
Type of glass door	2 glass panels	2 glass panels
Door handle type	Vertical bar handle	Vertical bar handle
Temperature display	Interior/digital LED	Interior/digital LED
Type of hinge (reversible)	■	■
Home Connect	■	■
KEY FEATURES – WINE CABINET SECTION		
Range of temperature (0°C)	5 - 20	5 - 20
Temperature zones	2	3
Light	LED	LED
Number of shelves	10	8
Number of oak shelves	10	8
Number of adjustable shelves	-	-
Presenter shelf and lighting	■	■
Capacity in 0.75l (Bordeaux bottles)	58	92
FUNCTIONS		
Door open warning signal/malfunction	■	■
Child lock	-	-
ADDITIONAL INFORMATION		
Energy efficiency class	A+ G	A+ G
Energy consumption ¹ (kWh/annum)	145	155
Refrigerator net capacity (litres)	272	370
Climate class ²	SN-T	SN-T
Noise level (dB [A] re 1pW)	42	42
Noise level class	D	D
Height of product (mm)	2125	2125
Width of product (mm)	451	603
Depth of product (mm)	608	608

■ Yes, model has this feature. - Feature not available for this model.

¹ Actual energy consumption will depend on how the appliance is used and where it is located.

² Climate zone SN = designed to operate in ambient temperature of +10°C to 32°C.
Climate zone T = designed to operate in ambient temperature of +18°C to 43°C.

Data valid in this table as of April 2024. Subject to modification without prior notice.



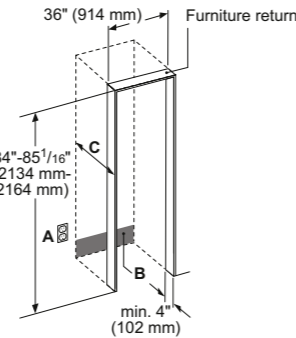
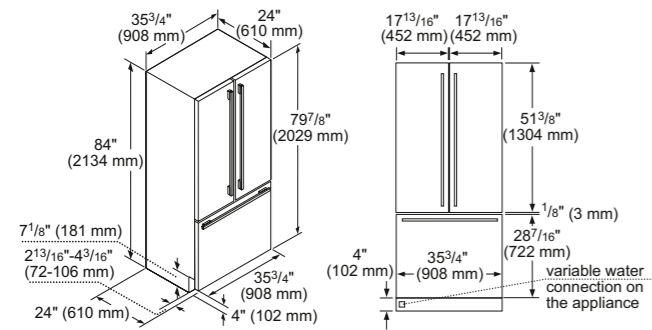
Experience wine at its best

The studioLine aCool wine cabinets are designed to provide ample room for bottles of wine and optimal storage conditions to help maintain their quality. From the adjustable humidity feature, which ensures the right level of humidity to prevent cork brittleness or the growth of mould, to the independently adjustable temperature zones, allowing storage of red and white wines at their ideal temperature.

The cabinet door is equipped with UV-protection glass to prevent damage from sunlight while the oak shelves not only display wine bottles in an attractive way but also protect them and their labels from scratches. The low vibration technology makes storage safer and particularly quiet. With premium LED lighting, you can display the bottles of wine in the best light without affecting the temperature in the cabinet.

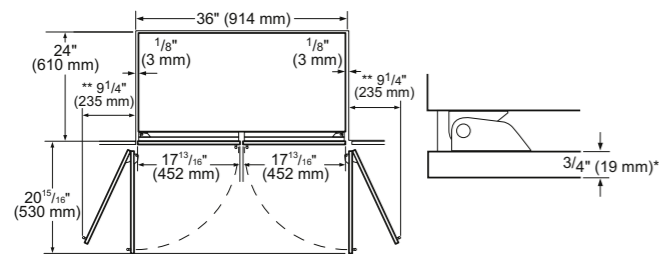
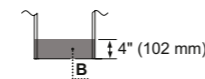
aCool technical diagrams

Fridge freezer CI36TP02

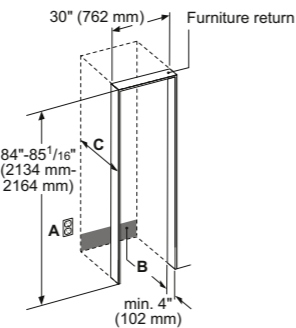
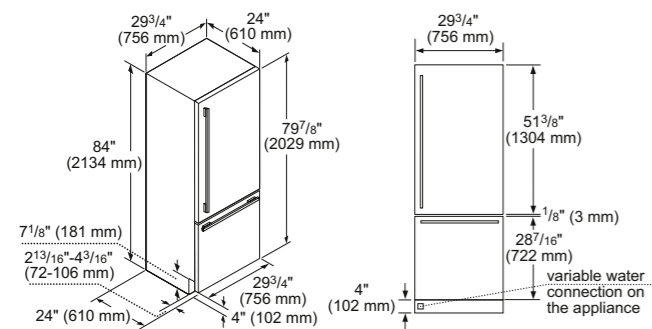


A: Area for installation of power connection.
B: Area for running the water line. It is recommended that the waterbox is placed adjacent to the installation cavity, so that it can be accessed for service without uninstalling the appliance. If this is not possible, place the recessed waterbox adjacent to the water supply socket elevated at the heights as referenced in areas A and B.
C: Recess depth depends on kitchen design. For a flush installation, the depth needs to be at least 24 inches plus the thickness of the door panel.

Stainless steel models contain a panel-ready base unit, ready-to-install stainless steel door(s) with a right or left door swing and handle(s).

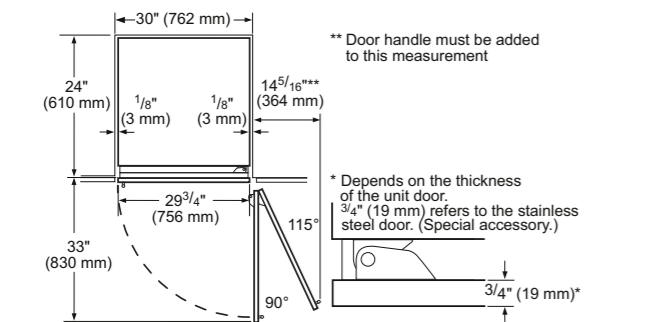
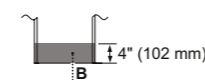


Fridge freezer CI30BP02

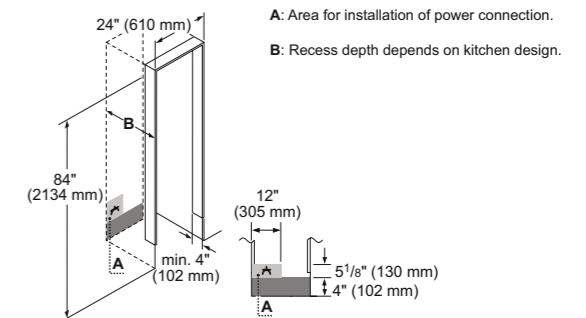
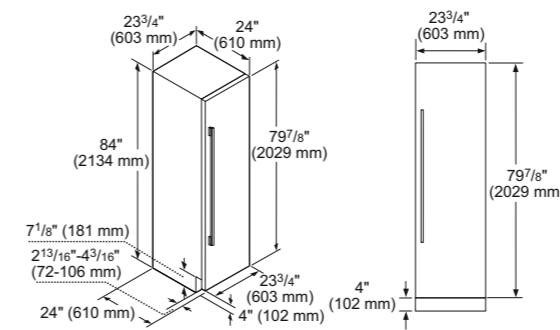


A: Area for installation of power connection.
B: Area for running the water line. It is recommended that the waterbox is placed adjacent to the installation cavity, so that it can be accessed for service without uninstalling the appliance. If this is not possible, place the recessed waterbox adjacent to the water supply socket elevated at the heights as referenced in areas A and B.
C: Recess depth depends on kitchen design. For a flush installation, the depth needs to be at least 24 inches plus the thickness of the door panel.

Stainless steel models contain a panel-ready base unit, ready-to-install stainless steel door(s) with a right or left door swing and handle(s).

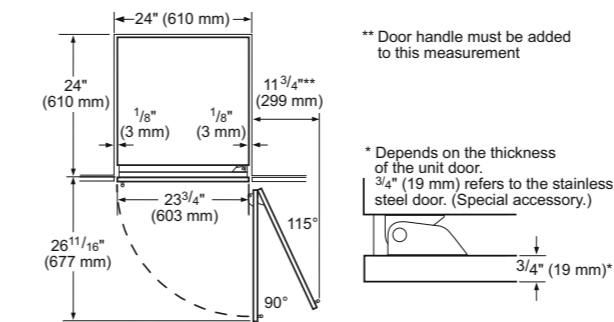


Single door fridge CI24RP02

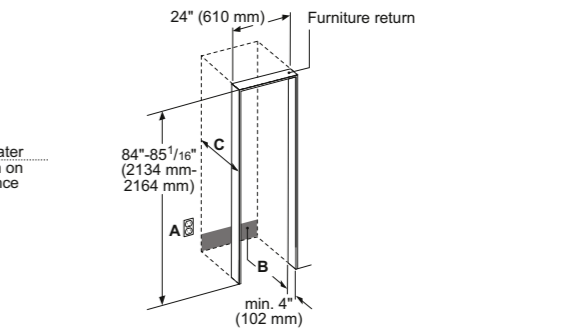
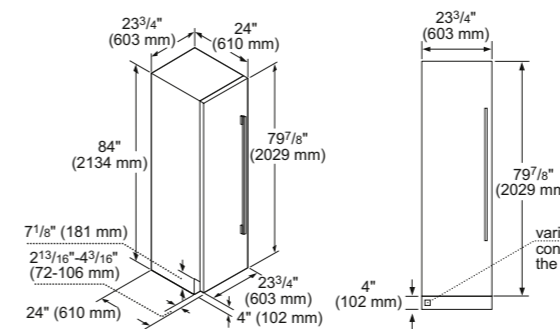


** Door handle must be added to this measurement

* Depends on the thickness of the unit door.
 3/4" (19 mm) refers to the stainless steel door. (Special accessory.)

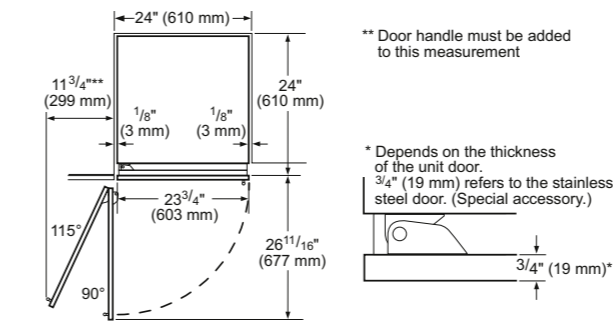


Single door freezer FI24NP33



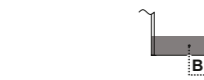
** Door handle must be added to this measurement

* Depends on the thickness of the unit door.
 3/4" (19 mm) refers to the stainless steel door. (Special accessory.)



A: Area for installation of power connection.
B: Area for running the water line. It is recommended that the waterbox is placed adjacent to the installation cavity, so that it can be accessed for service without uninstalling the appliance. If this is not possible, place the recessed waterbox adjacent to the water supply socket elevated at the heights as referenced in areas A and B.
C: Recess depth depends on kitchen design. For a flush installation, the depth needs to be at least 24 inches plus the thickness of the door panel.

Stainless steel models contain a panel-ready base unit, ready-to-install stainless steel door(s) with a right or left door swing and handle(s).

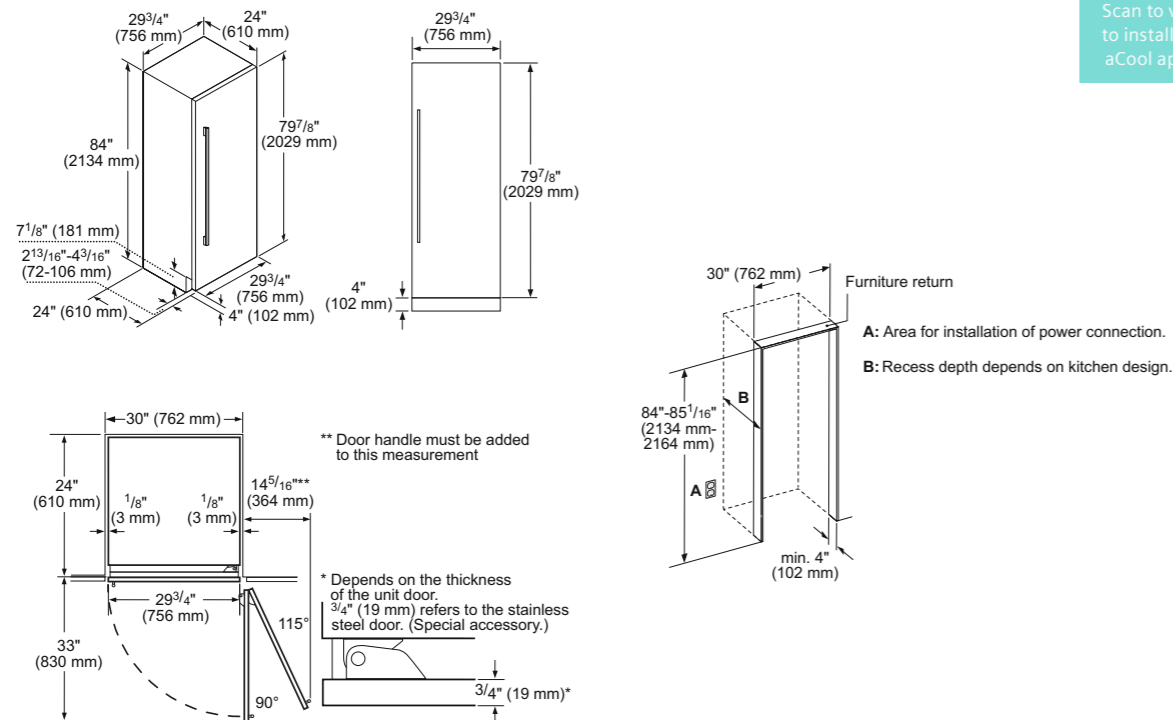


aCool technical diagrams

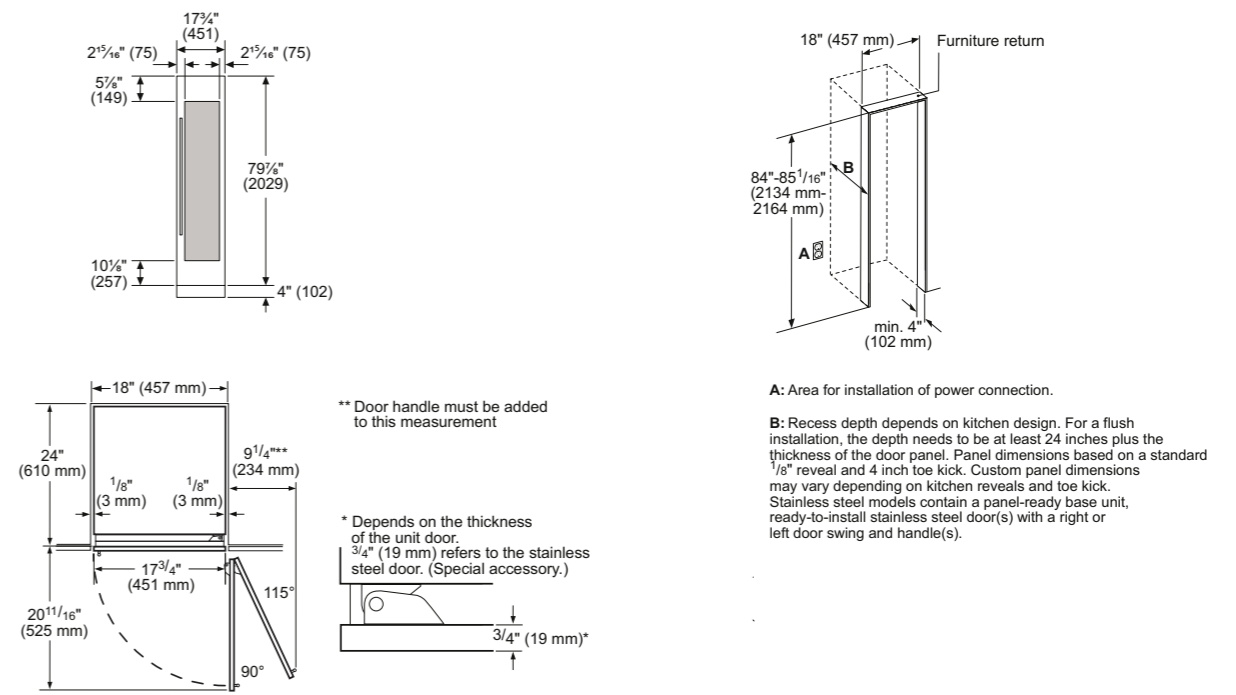


Scan to view how to install Siemens aCool appliances

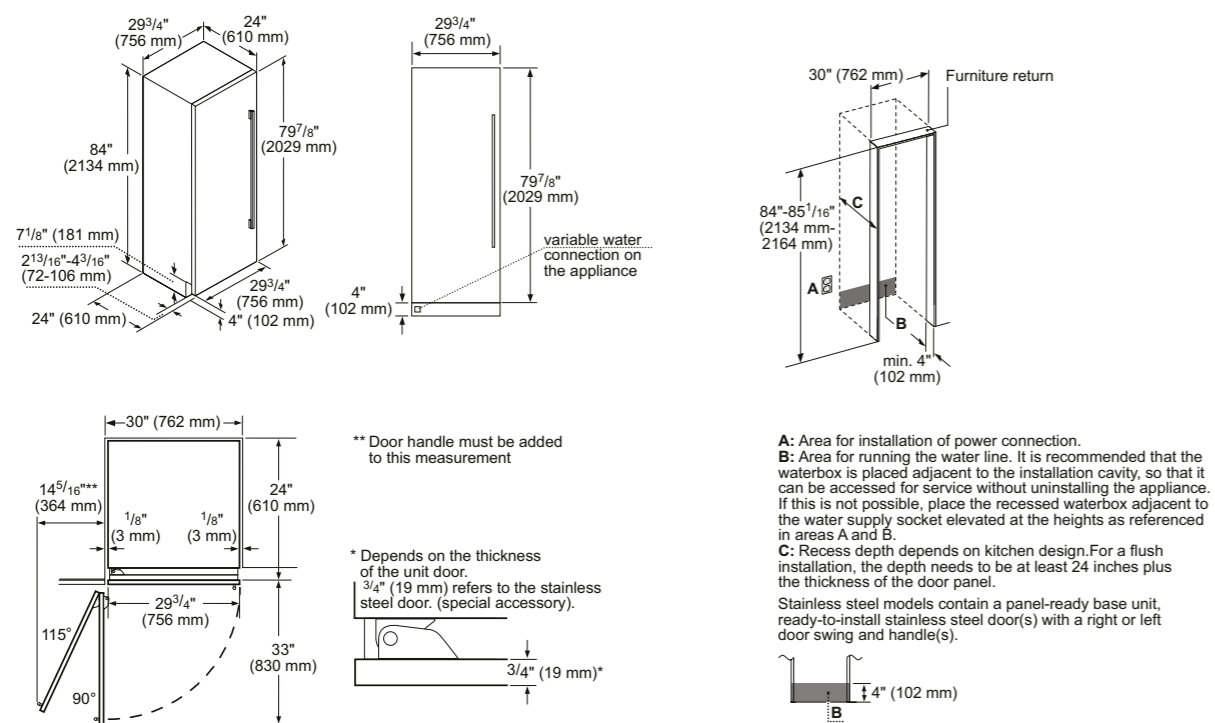
Single door fridge CI30RP02



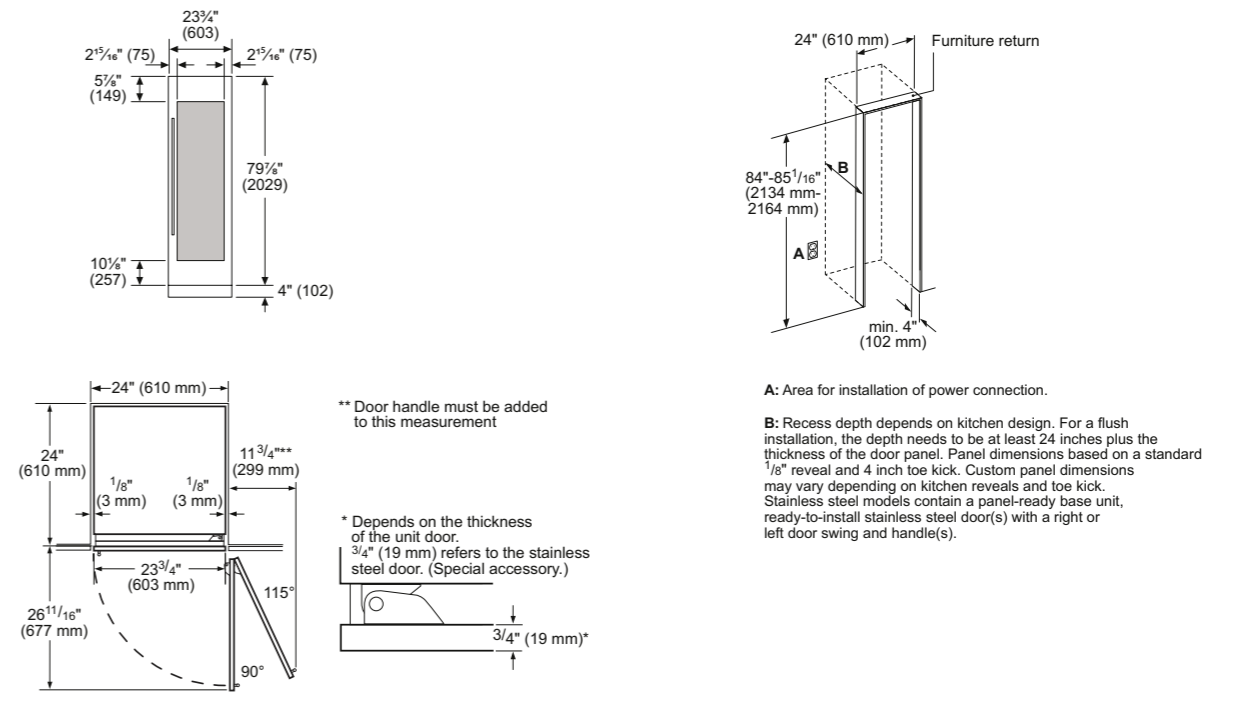
Wine cabinet CI18WP03



Single door freezer FI30NP33



Wine cabinet CI24WP03



Intelligent cooling appliances for long lasting freshness

Siemens built-in cooling appliances provide the ultimate way to store food flexibly and correctly for optimum freshness.

From our smallest built-in fridge to our most impressive, each appliance brings more freshness and convenience. Siemens cooling appliances offer combinations for every individual requirement, taste and kitchen design. Siemens built-in fridges, freezers and wine coolers come in a wide range of models offering full flexibility when planning a kitchen.



Model shown: K186NHFE0 fridge freezer

Built-in
Cooling

Siemens built-in cooling warranties:



studioLine 5 year warranty

A five year warranty is available on all built-in studioLine cooling appliances listed in this brochure to protect against manufacturing and material faults during this warranty period.



5 year warranty

A five year warranty is available on selected built-in cooling appliances listed in this brochure to protect against manufacturing and material faults during this warranty period.

Offer dates: 01.04.24 – 31.03.25. Online registration required. For full T&Cs and qualifying appliances visit siemens-home.bsh-group.com/uk/customer-service/siemens-warranties



2 Year warranty

All Siemens built-in cooling appliances listed in this brochure have a two year manufacturer's warranty as standard to protect against manufacturing or material faults.



Compressor Drive 10 Year Warranty

Available on selected Siemens built-in fridges and fridge freezers, this warranty covers defects in the compressor motor.

To find out more about warranty and for registration, please visit: siemens-home.bsh-group.com/uk/customer-service/siemens-warranties

studioLine



Model shown: K181FHOD0 studioLine single door fridge

Opening the door to new possibilities

For even more convenience in the kitchen, selected studioLine cooling appliances come with push-to-open and voice assisted door openAssist.



No need to touch the door: openAssist

With a simple voice command to a voice assistant like Amazon Alexa, the studioLine fridge or freezer will open. Even without a voice assistant, a gentle push will open the fridge or freezer door – and a gentle push will automatically and quietly close the door. Touchless functionality keeps the stylish kitchen design running seamlessly throughout. openAssist with voice command is available on K181FHOD0 and G181NHNE0 only.

Control via Home Connect.

Thanks to Home Connect, the refrigerator is connected anytime and anywhere. Control the functions of the fridge easily and conveniently via a smartphone, even when away enjoying a holiday in another country.

A fresh solution for fresh food.

Also equipped with innovative hyperFresh Premium 0°C technology, the iQ700 studioLine fridge offers the best conditions keeping fruit, vegetables, meat and fish fresh for longer.

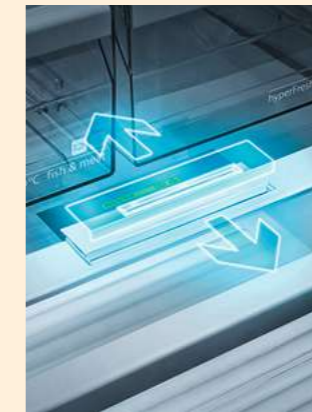
Keep food fresh for longer



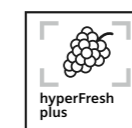
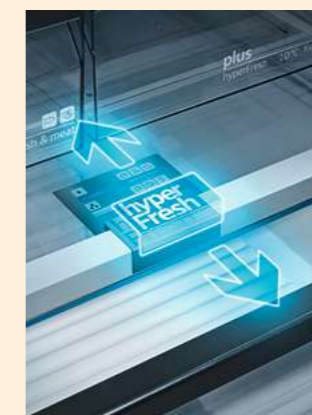
Model shown: KI81FHOD0 hyperFresh premium

hyperFresh technology:

Set the right conditions to ensure food stays fresh for longer: hyperFresh humidity drawers and near 0°C chiller drawers.



Freshness controlled: hyperFresh
The stylish hyperFresh control panel enables simple adjustment to the humidity in the fridge. The hyperFresh drawer with rippled base allows cool air to easily circulate around fruits and vegetables. As a result, the quality and freshness of food will be retained.



Shelf life maximised: hyperFresh Plus
The hyperFresh Plus drawer does not just store food, it provides the right conditions to keep ingredients fresh for longer. Whether it is being used for storing fruits or vegetables, it will increase shelf life and reduce food wastage. Simply switch between the 2 control settings, and the humidity will be adjusted for optimum storage of the food.



Food stays fresh for longer: hyperFresh Premium
With a choice of 3 humidity controls, simply select between storing fruits, vegetables, or both. The hyperFresh Premium drawer will regulate how much humidity the food receives. These innovative drawers help to keep in nutrients and minerals to create delicious meals and fewer trips to the supermarkets, saving time, effort and money. hyperFresh Premium is available in selected Siemens single door fridges only.



hyperFresh near 0°C chiller drawers. Perfectly fresh for fish and meat:
The two hyperFresh and hyperFresh Plus models: The two hyperFresh near 0°C chiller drawers are specially designed for the storage needs of fish and meat. Keep them fresher in ideal conditions near 0°C to retain the vitamins and minerals for longer. With two separate compartments the transfer of unpleasant smells will be avoided.

hyperFresh Premium models: These variants come complete with a larger full-length near 0°C chiller drawer, where fish and meat are stored at the perfect temperature.

Create combinations to fit every lifestyle

Our built-in cooling appliances come in a wide range of heights and widths to create the perfect combination for the kitchen.

Height and width
Our built-in cooling appliances are available in a range of heights and widths to fit within a variation of kitchen designs and available spaces.

177.2 cm
Height

Height and width:

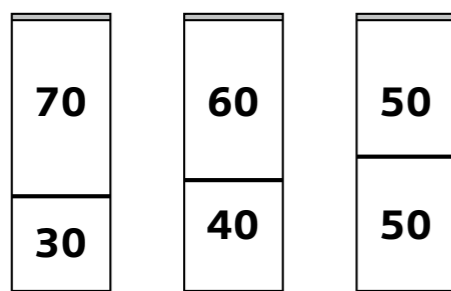
All dimensions are shown as Height x Width.

Multi Door / American Style	American Style	Fridge freezers	Single Door Fridges	Single Door Freezers
Model shown: KF96DPXEA	Model shown: KA93GAIDP	Model shown: KI86NADD0	Model shown: KI81RADD0G	Model shown: GI81NHCE0G
183.0 x 90.5cm (freestanding)	178.7 x 90.8cm (freestanding)	177.2 x 55.8cm 177.2 x 54.1cm 193.5 x 70.8cm 193.5 x 69.1cm 193.5 x 54.1cm	177.2 x 59.8cm 177.2 x 54cm 139.7 x 55.8cm 122.1 x 54.1cm 82 x 59.8cm	177.2 x 55.8cm 82 x 59.8cm

Fridge Freezer split options:

Fridge Freezer split %
Our range of fridge freezers are available in a variety of sizes with different splits of fridge areas and freezer areas. Alternatively, a bespoke split can be created using separate fridge and freezer units stacked or paired side-by-side.

60
40
Fridge Freezer split %



Flexible shelves and door racks.

Enjoy convenience with easyLift shelves. Even when full, the shelves can be raised or lowered by 6cm to make room for taller items – ideal for serving jugs. Our easyLift door trays are also great for large bottles in the fridge door, the shelf can be adjusted to meet the flexible requirements of individual lifestyles.



modularFit cooling appliances for flexible design.

Siemens modularFit appliances are freely combinable. A kitchen should match the household's lifestyle. That is why our single door cooling and freezing appliances can be combined perfectly for individual requirements and taste. With unique and innovative cooling technologies the appliances can even enrich everyday life. Siemens modularFit appliances come with exciting innovations like hyperFresh and noFrost technology. The simple installation as well as an energy efficiency category offers maximum flexibility and freshness.

Combine cooling and freezing appliances in any way with modularFit.

Thanks to the anti-condensation technology, it is possible to install cooling and freezing appliances next to each other in multiple different layouts. The innovative technology prevents the build-up of moisture between the appliances, keeping everything fresh and clean.

Models that can sit side-by-side:

- | | |
|-------------------------|--------------------------|
| Built-in Fridges | Built-in Freezers |
| KI81FHOD0 (studioLine) | GI81NHNE0 (studioLine) |
| KI81RADD0G | GI81NHCE0G |
| KI81RNSE0G | GI81NVEE0G |
| KI81RSOE0 (studioLine) | |
| KI81RVFE0G | |
| KI82LSOE0 (studioLine) | |
| KI82LVFE0 | |



Side-by-side example for illustrative purposes

Choosing the right hinge: fixed and sliding.

Siemens built-in cooling appliances are available with specific types of hinges that either aid the installation and design of the kitchen or can be matched for replacement appliances.



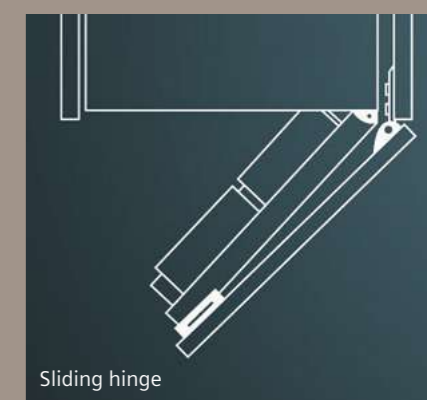
Fixed hinge

A fixed hinge means that the furniture door is mounted to the appliance door. Advantages of a fixed hinge mean that we can offer softClosing doors that automatically close at an angle of approx 15°-20° preventing the door from accidentally being left open. The installation also offers better access to the appliance interior and due to the optimised width, higher energy efficiency with competitive volume.

They are thoroughly tested to withstand constant opening and closing. The softClose door retracts effortlessly and creates minimal noise. In addition to aesthetics, a softClose door ensures that items within the fridge are not disturbed from a heavy impact, meaning no spills to clean.

Sliding hinge

A sliding hinge means that the furniture door is mounted at the kitchen cabinet body as well as a sliding rail to connect the fridge and furniture door.



Room to fit any lifestyle

Standard

KI86NADD0



XL

KI96NVFDO



XXL

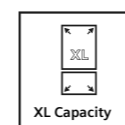
KB96NADD0G



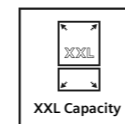
+11%*

+45%*

The Siemens integrated XL and XXL fridge-freezers.



A perfect blend of increased capacity, freshness and flexibility that seamlessly fit into any kitchen design. With our innovative appliances, consumers can enjoy more room to store all their fresh food and ingredients, with a cooling space that adapts to their needs.

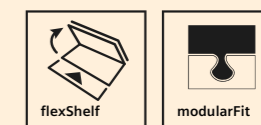


Gone are the days of constantly rearranging everything to fit in groceries. Our combinations of fridge, freezer, and door compartments provide consumers with the perfect organisation system, allowing them to store food and beverages for large parties or everyday meals without any hassle. Our XL models offer 11% more capacity compared to the standard fridge freezer, while the larger XXL models offer an impressive 45% more capacity.

But it is not just about capacity. Our integrated fridge-freezers are designed to seamlessly blend into the kitchen, while boasting sleek modern design when opened, adding style and sophistication to any kitchen.

Increased Flexibility, Better Storage Options

The design interior allows for maximum flexibility. The modularFit feature gives the freedom to position the fridge and the freezer according to preference, creating a customised and convenient kitchen setup. The flexShelf gives even more storage freedom with the option to fold the shelf completely against the back wall to use all the space or slide the front part of the flexShelf under the back part and use the other half for smaller items.



Explore more cooling features

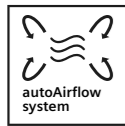
Experience intelligent cool with Home Connect.

Smart fridges

Flexibly control cooling appliances using a smartphone or smartwatch. Using the Home Connect app, the temperature of the fridge can be adjusted, or superCool can be turned on on the way home from the food shop. It is even possible to turn on holiday mode from anywhere, to save energy where required. The app sends useful push notifications when there has been a significant temperature change in the fridge, or if the door has been left open, minimising the risk of food waste.

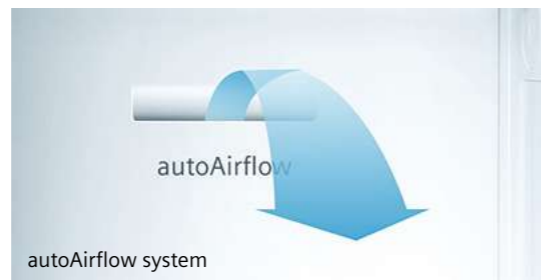


Optimised cooling.



autoAirflow system

This system works with the electronics to optimise the air circulation within the fridge and freezer compartments to ensure even cooling throughout the appliance. This means however groceries are organised, they will be cooled quickly. The back wall of the appliance has open vents which work with the cooling circuit to draw cold air into each compartment.



Type of control.



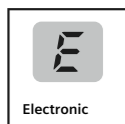
Interior LCD display

LED Light.



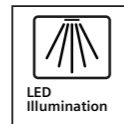
LED light

Type of control.



At the touch of a button, the in-door LCD display offers precision control to allow the optimum temperature for food to be maintained easily. This in turn helps to keep food fresh for longer.

LED Light.



The new integrated long-lasting LED lights available on most of our range fit flush in the side walls or ceiling and illuminate the interior uniformly.

Suitable storage solutions for all needs.



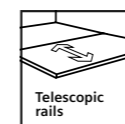
Telescopic rails



Bottle rack



freshProtectbox



Ergonomically ideal access
Fully-retractable drawers on telescopic rails create an easy access shelving zone. This makes it easy to pull the drawers out further, providing a better overview of all food items and making them easier to remove.



Bottle rack
Available on some models, the perfect place to store wine of all varieties and make the best use of fridge space. The waveshaped bottle rack can be positioned in a variety of places and safely stores bottles without them rolling back and forth.



freshProtectbox
Provides the optimum temperature for individual foods, allowing them to stay fresher for longer. This in turn helps reduce waste and trips to the supermarket – saving time and money.

Freezer features

With noFrost technology, the freezer no longer needs to be defrosted manually.



noFrost
Defrosting the freezer is now done automatically. Siemens freezers are equipped with intelligent sensor-controlled technology to save the chore of defrosting the freezer. An air-circulation system guides the humidity to the outside of the refrigerator into an external evaporation tray, and sensors measure the degree of humidity and any frost production – ensuring the appliance is periodically defrosted without the need to turn it off or empty it out. Also, ice no longer forms on the inside of the refrigerator, and the appliance's energy consumption remains consistently low.



lowFrost
For those models that come with lowFrost, life is still made easier. lowFrost reduces the build-up of frost by up to 50%, so there is no need to defrost the freezer as often – only once every 3 to 4 years. Designed to save time and provide added convenience so time can be spent doing enjoyable activities, not defrosting the freezer.

Storage made easy with bigBox.



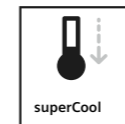
Big enough for a busy lifestyle, the bigBox has the capacity for storing whole frozen turkeys, as well as the height to hold dessert glasses upright. Ideal for the holidays and entertaining.



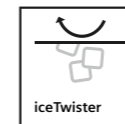
Other useful freezer features.



superFreeze function
superFreeze makes sure that warmer food added to the freezer does not raise the freezer temperature, stopping food partially defrosting.



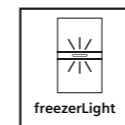
superCool
The superCool button can be used to quickly reduce the temperature in the refrigerator to +2 °C. This prevents any undesirable rises in the temperature of already chilled food whenever new food is added which is not as cold.



iceTwister
Simply activate the iceTwister and receive up to 20 ice cubes at once right away. The water tank is very easy to remove for reliable refilling.



iceDispenser
Models with this feature are able to dispense ice when needed thanks to a plumbed water connection. Depending on model, ice is available as cubes or crushed.






freezerLight
Our special LED freezerLight makes it possible to get the perfect overview of the freezer compartment by providing light to the whole area.



Model shown:
GI81NHCE0G freezer

Cooling product overview

Built-in fridge freezer range

Split	Fridge freezers				studioLine Fridge freezer
	1935mm height				1772mm height
60/40 fridge freezer ratio	 <p>K196NNSEO ■■□500 • 290 litre capacity • 541mm width • 548mm depth • noFrost</p>	 <p>KB96NADDOG ■■□500 • 382 litre capacity • 708mm width • 548mm depth • 2 hyperFresh drawers • noFrost</p>	 <p>KI96NVFDO ■■□300 • 290 litre capacity • 558mm width • 548mm depth • 2 hyperFresh drawers • noFrost</p>	 <p>KB96NNSEO ■■□100 • 383 litre capacity • 691mm width • 548mm depth • 1 hyperFresh drawer • noFrost</p>	 <p>KI86NSDDO studioLine ■■□500 • 260 litre capacity • 558mm width • 548mm depth • 2 hyperFresh drawers • softClose • noFrost</p>
70/30 fridge freezer ratio					
50/50 fridge freezer ratio					



Fridge freezers				
1772mm height				
 <p>KI86NADDO ■■□500 • 260 litre capacity • 558mm width • 548mm depth • 1 hyperFresh drawer • lowFrost</p>	 <p>KI86NHFE0 ■■□300 • 260 litre capacity • 541mm width • 548mm depth • 2 hyperFresh drawers • noFrost</p>	 <p>KI86NVFE0G ■■□300 • 260 litre capacity • 541mm width • 548mm depth • 2 hyperFresh drawers • noFrost</p>	 <p>KI86NVSE0G ■■□300 • 260 litre capacity • 541mm width • 548mm depth • 2 hyperFresh drawers • noFrost</p>	 <p>KI86VVFE0G ■■□300 • 267 litre capacity • 541mm width • 548mm depth • 1 hyperFresh drawer • lowFrost</p>
 <p>KI87SAFE0G ■■□500 • 272 litre capacity • 558mm width • 545mm depth • 1 hyperFresh drawer • lowFrost</p>	 <p>KI87VVFE0G ■■□300 • 270 litre capacity • 541mm width • 548mm depth • 1 hyperFresh drawer • lowFrost</p>	 <p>KI87VVSE0G ■■□300 • 270 litre capacity • 541mm width • 548mm depth • 1 hyperFresh drawer • lowFrost</p>	 <p>KI87VNSE0G ■■□100 • 270 litre capacity • 541mm width • 548mm depth • lowFrost</p>	
			 <p>KI85NNFE0G ■■□100 • 249 litre capacity • 541mm width • 548mm depth • noFrost</p>	

Cooling product overview

Built-in single door fridge range

Product Type	studioLine Single door fridges	Single door fridges	
	1772mm height	1772mm height	
Single door fridges	 <p>K182LSOEO studioLine IQ700</p> <ul style="list-style-type: none"> • 285 litre capacity • 558mm width • 545mm depth • 1 hyperFresh drawer • 1 vegetable box <p>5 year warranty</p>	 <p>K181RADD0G IQ500</p> <ul style="list-style-type: none"> • 310 litre capacity • 558mm width • 548mm depth • lowFrost <p>5 year warranty</p>	 <p>K182LVFE0 IQ300</p> <ul style="list-style-type: none"> • 280 litre capacity fridge • 34 litre capacity freezer • 541mm width • 548mm depth • lowFrost <p>5 year warranty</p>
	 <p>K181FHOD0 studioLine IQ500</p> <ul style="list-style-type: none"> • 289 litre capacity • 558mm width • 545mm depth • 3 hyperFresh drawers • softClose <p>5 year warranty</p>	 <p>K181RVFE0G IQ300</p> <ul style="list-style-type: none"> • 310 litre capacity • 541mm width • 548mm depth • lowFrost <p>5 year warranty</p>	 <p>K181RNSE0G IQ100</p> <ul style="list-style-type: none"> • 310 litre capacity • 541mm width • 548mm depth • lowFrost <p>5 year warranty</p>
	 <p>K181RSOEO studioLine IQ500</p> <ul style="list-style-type: none"> • 319 litre capacity • 558mm width • 545mm depth • 1 hyperFresh drawer • lowFrost • softClose <p>5 year warranty</p>		






Home Connect

Single door fridges	Single door fridges	Single door fridges
1221mm height	874mm height	820mm height
 <p>K141R2FE1 IQ100</p> <ul style="list-style-type: none"> • 204 litre capacity • 541mm width • 548mm depth • lowFrost <p>5 year warranty</p>	 <p>K121RVFE0 IQ300</p> <ul style="list-style-type: none"> • 136 litre capacity • 541mm width • 548mm depth • 3 shelves • 2 door shelves • 1 vegetable box • lowFrost <p>5 year warranty</p>	 <p>KU21RVFE0G IQ300</p> <ul style="list-style-type: none"> • 134 litre capacity • 598mm width • 548mm depth • lowFrost <p>5 year warranty</p>
 <p>KU21RVFE0G IQ300</p> <ul style="list-style-type: none"> • 134 litre capacity • 598mm width • 548mm depth • lowFrost <p>5 year warranty</p>	 <p>K121RNSE0 IQ100</p> <ul style="list-style-type: none"> • 136 litre capacity • 541mm width • 548mm depth • 3 shelves • 2 door shelves • 1 vegetable box • lowFrost <p>5 year warranty</p>	 <p>KU22LVFD0G IQ100</p> <ul style="list-style-type: none"> • 110 litre capacity fridge • 17 litre capacity freezer • 598mm width • 548mm depth • lowFrost <p>5 year warranty</p>




Cooling product overview



Built-in single door freezer range

Product Type	studioLine Single door freezer	Single door freezers		
	1772mm height	1772mm height	874mm height	820mm height
Single door freezers	 <p>GI81NHNE0 studioLine ■■■700</p> <ul style="list-style-type: none"> • 212 litre capacity • 558mm width • 545mm depth • Soft close • noFrost <p>5 year warranty</p>	 <p>GI81NHCE0G ■■■700</p> <ul style="list-style-type: none"> • 212 litre capacity • 558mm width • 545mm depth • Soft close • noFrost <p>5 year warranty</p>	 <p>GI21VAFE0 ■■■500</p> <ul style="list-style-type: none"> • 96 litre capacity • 558mm width • 545mm depth • lowFrost <p>5 year warranty</p>	 <p>GU21NVFE0G ■■■300</p> <ul style="list-style-type: none"> • 85 litre capacity • 598mm width • 548mm depth <p>5 year warranty</p>
	 <p>GI81NVEE0G ■■■300</p> <ul style="list-style-type: none"> • 212 litre capacity • 558mm width • 545mm depth • noFrost <p>5 year warranty</p>			

Wine cabinet range

Product Type	Built-in wine cabinet		
	1860mm height	818mm height	
Built-in wine cabinet	 <p>KW36KATGA ■■■100</p> <ul style="list-style-type: none"> • 370 litre capacity • 199 bottle capacity • 600mm wide • 610mm depth • 7°C to 19°C temperature range <p>2 year warranty</p>	 <p>KU20VVF0G ■■■500</p> <ul style="list-style-type: none"> • 58 litre capacity • 21 bottle capacity • 298mm wide • 567mm depth • Reversible glass door • UV filter protection <p>2 year warranty</p>	 <p>KU21WAHG0G ■■■500</p> <ul style="list-style-type: none"> • 120 litre capacity • 44 bottle capacity • 595mm width • 581mm depth • Reversible glass door • UV filter protection <p>2 year warranty</p>

studioLine

Built-in fridge freezer



studioLine fridge freezer specifications

APPLIANCE TYPE	STUDIOLINE FRIDGE FREEZER
Design family	iQ500
Model number	KI86NS000
DESIGN FEATURES	
Fridge / Freezer split	60 / 40
noFrost	■
lowFrost or Manual defrost	–
softClose hinge	■
Type of hinge (reversible)	Sliding hinge
Home Connect	–
FOOD FRESHNESS SYSTEM	
hyperFresh	2 x hyperFresh drawers
KEY FEATURES – FRIDGE SECTION	
Light	LED
superCool function	■
Type of control	Electronic
Number of shelves	4
Number of adjustable shelves	2
Number of door bins / shelves	3
Type of shelves	Safety glass
Temperature display	Digital LED
Warning signal door open	■
Bottle shelves in fridge	■
KEY FEATURES – FREEZER SECTION	
superFreeze function	■
Temperature adjustable in freezer	■
Number of ice cube trays	1
Number of freezer drawers	3
ADDITIONAL INFORMATION	
Energy efficiency class	A D
Energy consumption ¹ (kWh/annum)	186
Total net capacity (litres)	260
Refrigerator net capacity (litres)	184
Freezer net capacity (litres)	76
Climate class ²	SN-ST
Noise level (dB [A] re 1pW)	35
Noise level class	B
Additional accessories included	3 x egg trays 1 x ice cube tray 1 x bottle support
Height of product (mm)	1772
Width of product (mm)	558
Depth of product (mm)	548

■ Yes, model has this feature. – Feature not available for this model.

¹ Actual energy consumption will depend on how the appliance is used and where it is located.

² Climate zone SN = designed to operate in ambient temperature of +10°C to 32°C.
Climate zone T = designed to operate in ambient temperature of +18°C to 43°C.

Data valid in this table as of April 2024. Subject to modification without prior notice.

studioLine

Single door fridges and freezer



studioLine single door fridge and freezer specifications

APPLIANCE TYPE	STUDIOLINE SINGLE DOOR FRIDGE	STUDIOLINE SINGLE DOOR FRIDGE	STUDIOLINE SINGLE DOOR FRIDGE	STUDIOLINE SINGLE DOOR FREEZER
Design family	iQ700	iQ500	iQ500	iQ700
Model number	KI81FH000	KI81RS0E0	KI82LS0E0	GI81NH0E0
DESIGN FEATURES				
noFrost	–	–	–	■
lowFrost or Manual defrost	–	■	■	–
softClose hinge	■	■	■	■
Type of hinge (reversible)	Fixed hinge	Fixed hinge	Fixed hinge	Fixed hinge
Home Connect	■	–	–	■
FOOD FRESHNESS SYSTEM				
hyperFresh	3 x hyperFresh drawers	1 x hyperFresh drawer 1 x vegetable box	1 x hyperFresh drawer 1 x vegetable box	–
KEY FEATURES – FRIDGE SECTION				
Light	LED	LED	LED	–
superCool function	■	■	■	–
Type of control	Electronic	Electronic	Electronic	Electronic
Number of shelves	7	7	5	–
Number of adjustable shelves	6	6	4	–
Number of door bins / shelves	5	6	5	–
Type of shelves	Safety glass	Safety glass	Safety glass	–
Temperature display	Digital LED	Digital LED	Digital LED	Digital LED
Warning signal door open	■	■	■	–
Bottle shelves in fridge	■	■	■	–
KEY FEATURES – FREEZER SECTION				
superFreeze function	–	–	–	■
Temperature adjustable in freezer	–	–	–	■
Number of ice cube trays	–	–	1	1
Number of freezer drawers	–	–	–	5
ADDITIONAL INFORMATION				
Energy efficiency class	A D	A E	A E	A E
Energy consumption ¹ (kWh/annum)	120	115	177	235
Total net capacity (litres)	289	319	285	212
Freezer net capacity (litres)	–	–	34	212
Climate class ²	SN-T	SN-ST	SN-ST	SN-T
Noise level (dB [A] re 1pW)	36	37	36	35
Noise level class	C	C	C	B
Additional accessories included	3 x egg trays 1 x bottle support	3 x egg trays 1 x bottle support	3 x egg trays 1 x ice tray 1 x bottle support	1 x ice cube tray
Height of product (mm)	1772	1772	1772	1772
Width of product (mm)	558	558	558	558
Depth of product (mm)	545	545	545	545

■ Yes, model has this feature. – Feature not available for this model.

¹ Actual energy consumption will depend on how the appliance is used and where it is located.

² Climate zone SN = designed to operate in ambient temperature of +10°C to 32°C.
Climate zone T = designed to operate in ambient temperature of +18°C to 43°C.

Data valid in this table as of April 2024. Subject to modification without prior notice.



Wine cabinets

Premium design with optimal temperature control.

For carefully stored and beautifully presented wine bottles.

Our wine cabinets will ensure bottles are displayed effortlessly whilst making an impressive visual statement. Thanks to Siemens state-of-the-art technology, wines will be maintained at the optimal temperature for their type. So each individual bottle – whether it is red, white or sparkling, is conditioned perfectly to be enjoyed when needed.

Siemens wine cabinets are designed to provide great first-rate storage for any wine. Wine bottles are presented elegantly on beautifully crafted oak wooden shelves, reducing the risk of scratches or tears to the bottles and labels. Wood is also the perfect surface to display wine, minimising vibrations which can cause wines to age.

Light, especially sunlight, can adversely affect wine. The sun's ultra violet rays in particular can degrade and prematurely age wine. Siemens wine cabinets are equipped with LED lights to minimise heat emissions and temperature fluctuations. As a result, the cabinet remains at the optimal temperature at which it is set. Settings can be specified from 5-20°C, allowing storage of Champagne from 5-8°C, as well as red wine from 12-20°C.

The glass panelled doors are also protected with a UV filter offering further protection to bottles from any unnecessary light that can lead them to spoil or fade wine labels.

The soft LED feature provides added drama, phasing in gently to reveal the wine. If the cabinet is the focal point of the kitchen, our Presentation Mode feature will enable the light to be kept permanently on, allowing bottles to shine in all their glory.



There is space to fit up to 21 bottles in our 30cm wide cabinet, or up to 44 bottles in our 60cm wide unit. The grey interior gives a premium modern seamless finish throughout the kitchen. Each cabinet is also designed with a reversible hinge allowing the direction the door opens to be changed depending on the flow of the kitchen.

Acoustic warning light indicators will notify if the door is opened for a long period, or if the wine storage compartment is too warm or too cold for an extended period to ensure the wine is kept protected.

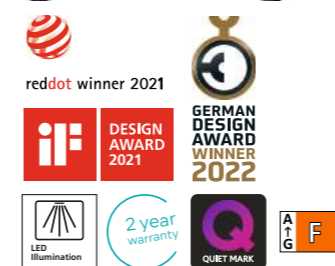


2 Year Warranty
A Two year warranty is offered on our wine cabinets to cover manufacturing or material faults.

For more information please see page 363.

iQ500 KU20WVHF0G

Built-under wine cabinet
Black



Model shown: KU20WVHF0G built-under wine cabinet

Built-under wine cabinet specifications

APPLIANCE TYPE	BUILT-UNDER WINE CABINETS	
Design family	iQ500	iQ500
Model number	KU20WVHF0G	KU21WAHG0G
DESIGN FEATURES		
Colour of door panels	Black	Black
Colour of side panels	Black	Black
Type of glass door	3 glass panels, UV-filtered	3 glass panels, UV-filtered
Door handle type	Vertical bar handle	Vertical bar handle
Temperature display	Interior / Digital LED	Interior / Digital LED
Reversible door, hinged on right	■	■
Home Connect / Built-in cameras	-	-
KEY FEATURES – WINE CABINET SECTION		
Range of temperature (0°C)	5 - 20	5 - 20
Temperature zones	1	2
LED light	■	■
Number of shelves	4	5
Number of oak shelves	3	3
Number of adjustable shelves	-	-
Presenter shelf and lighting	■	■
Capacity in 0.75L (Bordeaux bottles)	21	44
FUNCTIONS		
Door open warning signal/malfunction	■	■
Child lock	■	■
PERFORMANCE & CONSUMPTION		
Energy efficiency class	A+ F	A+ G
Energy consumption ¹ (kWh/annual)	100	130
Refrigerator net capacity (litres)	58	120
Climate Class ²	SN-ST	SN-ST
Noise level (dB [A] re 1pW)	38	38
Noise level class	C	C
Height of product (mm)	818	818
Width of product (mm)	298	598
Depth of product (mm)	567	581

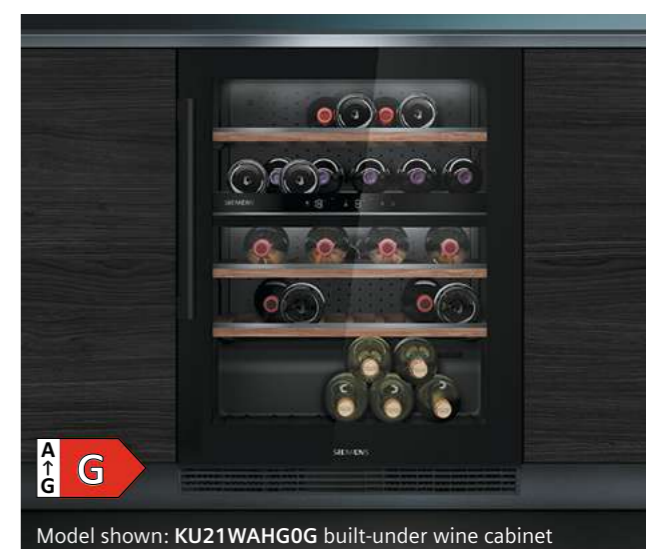
■ Yes, model has this feature. – Feature not available for this model.

¹ Actual energy consumption will depend on how the appliance is used and where it is located.

² Climate zone SN = designed to operate in ambient temperature of +10°C to 32°C.
Climate zone ST = designed to operate in ambient temperature of +16°C to 38°C.

Please note: ventilation grill not supplied.

Data valid in this table as of April 2024. Subject to modification without prior notice.



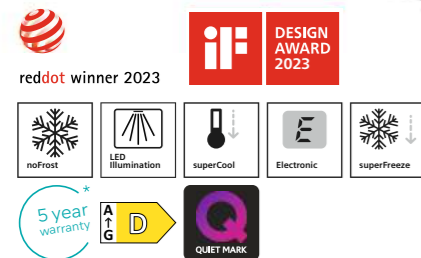
Model shown: KU21WAHG0G built-under wine cabinet

Fridge freezers

NoFrost

iQ 500 KB96NADD0G

noFrost bottom fridge freezer
193.5cm high



Built-in fridge freezer specifications

APPLIANCE TYPE	XXL NOFROST BOTTOM FRIDGE FREEZER
Design family	iQ 500
Model number	KB96NADD0G
DESIGN FEATURES	
Fridge / Freezer split	60 / 40
noFrost	■
lowFrost or Manual defrost	-
softClose hinge	■
Type of hinge (reversible)	Fixed hinge
Home Connect	■
FOOD FRESHNESS SYSTEM	
hyperFresh	2 x hyperFresh drawers
KEY FEATURES – FRIDGE SECTION	
Light	LED
superCool function	■
Type of control	Electronic
Number of shelves	5
Number of adjustable shelves	4
Number of door bins / shelves	4
Type of shelves	Safety glass
Temperature display	Digital LED
Warning signal door open	■
Bottle shelves in fridge	■
KEY FEATURES – FREEZER SECTION	
superFreeze function	■
Temperature adjustable in freezer	■
Number of ice cube trays	1
Number of freezer drawers	3
ADDITIONAL INFORMATION	
Energy efficiency class	A++
Energy consumption ¹ (kWh/annum)	204
Total net capacity (litres)	382
Refrigerator net capacity (litres)	284
Freezer net capacity (litres)	98
Climate class ²	SN-T
Noise level (dB [A] re 1pW)	33
Noise level class	B
Additional accessories included	3 x egg trays 1 x ice cube tray 1 x bottle support
Height of product (mm)	1935
Width of product (mm)	708
Depth of product (mm)	548

■ Yes, model has this feature. – Feature not available for this model.

¹ Actual energy consumption will depend on how the appliance is used and where it is located.

² Climate zone SN = designed to operate in ambient temperature of +10°C to 32°C.
Climate zone T = designed to operate in ambient temperature of +18°C to 43°C.

Data valid in this table as of April 2024. Subject to modification without prior notice.
*5 year warranty - Offer dates: 01.04.24 – 31.03.25. T&C's apply. Online registration required.

Built-in fridge freezer specifications

APPLIANCE TYPE	XXL NOFROST BOTTOM FRIDGE FREEZER	XL NOFROST BOTTOM FRIDGE FREEZERS	
Design family	iQ 100	iQ 300	iQ 100
Model number	KB96NNSE0	KI96NVFDD	KI96NNSE0
DESIGN FEATURES			
Fridge / Freezer split	60 / 40	60 / 40	60 / 40
noFrost	■	■	■
lowFrost or Manual defrost	-	-	-
softClose hinge	-	-	-
Type of hinge (reversible)	Sliding hinge	Fixed hinge	Sliding hinge
Home Connect	■	-	-
FOOD FRESHNESS SYSTEM			
hyperFresh	1 x hyperFresh drawer	2 x hyperFresh drawers	1 x vegetable box
KEY FEATURES – FRIDGE SECTION			
Light	LED	LED	LED
superCool function	■	■	■
Type of control	Electronic	Electronic	Electronic
Number of shelves	5	4	5
Number of adjustable shelves	4	3	4
Number of door bins / shelves	4	4	4
Type of shelves	Safety glass	Safety glass	Safety glass
Temperature display	Digital LED	Digital LED	Digital LED
Warning signal door open	■	■	■
Bottle shelves in fridge	-	■	-
KEY FEATURES – FREEZER SECTION			
superFreeze function	■	■	■
Temperature adjustable in freezer	■	■	■
Number of ice cube trays	1	1	1
Number of freezer drawers	3	3	3
ADDITIONAL INFORMATION			
Energy efficiency class	A++	A++	A++
Energy consumption ¹ (kWh/annum)	256	184	231
Total net capacity (litres)	383	290	290
Refrigerator net capacity (litres)	285	215	215
Freezer net capacity (litres)	98	75	75
Climate class ²	SN-ST	SN-ST	SN-ST
Noise level (dB [A] re 1pW)	34	34	34
Noise level class	B	B	B
Additional accessories included	3 x egg trays 1 x ice cube tray	3 x egg trays 1 x ice cube tray 1 x bottle support	3 x egg trays 1 x ice cube tray
Height of product (mm)	1935	1935	1935
Width of product (mm)	691	558	541
Depth of product (mm)	548	548	548

■ Yes, model has this feature. – Feature not available for this model.

¹ Actual energy consumption will depend on how the appliance is used and where it is located.

² Climate zone SN = designed to operate in ambient temperature of +10°C to 32°C.
Climate zone T = designed to operate in ambient temperature of +18°C to 43°C.

Data valid in this table as of April 2024. Subject to modification without prior notice.
*5 year warranty - Offer dates: 01.04.24 – 31.03.25. T&C's apply. Online registration required.

Built-in fridge freezer specifications



APPLIANCE TYPE	NOFROST BOTTOM FRIDGE FREEZERS		
Design family	IQ500	IQ300	IQ300
Model number	KI86NADD0	KI86NHFE0	KI86NVFE0G
DESIGN FEATURES			
Fridge / Freezer split	60 / 40	60 / 40	60 / 40
noFrost	■	■	■
lowFrost or Manual defrost	-	-	-
softClose hinge	■	-	-
Type of hinge (reversible)	Fixed hinge	Fixed hinge	Fixed hinge
Home Connect	-	■	-
FOOD FRESHNESS SYSTEM			
hyperFresh	2 x hyperFresh drawers	2 x hyperFresh drawers	2 x hyperFresh drawers
KEY FEATURES – FRIDGE SECTION			
Light	LED	LED	LED
superCool function	■	-	-
Type of control	Electronic	Electronic	Electronic
Number of shelves	4	4	4
Number of adjustable shelves	2	3	3
Number of door bins / shelves	3	3	3
Type of shelves	Safety glass	Safety glass	Safety glass
Temperature display	Digital LED	Digital LED	Digital LED
Warning signal door open	■	■	■
Bottle shelves in fridge	■	■	■
KEY FEATURES – FREEZER SECTION			
superFreeze function	■	■	■
Temperature adjustable in freezer	■	-	-
Number of ice cube trays	1	1	1
Number of freezer drawers	3	3	3
ADDITIONAL INFORMATION			
Energy efficiency class	A D	A E	A E
Energy consumption ¹ (kWh/annum)	186	234	234
Total net capacity (litres)	260	260	260
Refrigerator net capacity (litres)	184	184	184
Freezer net capacity litres	76	76	76
Climate class ²	SN-ST	SN-ST	SN-ST
Noise level (dB [A] re 1pW)	35	35	35
Noise level class	B	B	B
Additional accessories included	3 x egg trays 1 x ice cube tray 1 x bottle support	3 x egg trays 1 x ice cube tray 1 x bottle support	3 x egg trays 1 x ice cube tray 1 x bottle support
Height of product (mm)	1772	1772	1772
Width of product (mm)	558	541	541
Depth of product (mm)	548	548	548

■ Yes, model has this feature. – Feature not available for this model.

¹ Actual energy consumption will depend on how the appliance is used and where it is located.

² Climate zone SN = designed to operate in ambient temperature of +10°C to 32°C.

Climate zone T = designed to operate in ambient temperature of +18°C to 43°C.

Data valid in this table as of April 2024. Subject to modification without prior notice.

*5 year warranty - Offer dates: 01.04.24 – 31.03.25. T&C's apply. Online registration required.

Built-in fridge freezer specifications



APPLIANCE TYPE	NOFROST BOTTOM FRIDGE FREEZERS	
Design family	IQ300	IQ100
Model number	KI86NVSE0G	KI85NNFE0G
DESIGN FEATURES		
Fridge / Freezer split	60 / 40	50 / 50
noFrost	■	■
lowFrost or Manual defrost	-	-
softClose hinge	-	-
Type of hinge (reversible)	Sliding hinge	Fixed hinge
Home Connect	-	-
FOOD FRESHNESS SYSTEM		
hyperFresh	2 x hyperFresh drawers	1 x vegetable box
KEY FEATURES – FRIDGE SECTION		
Light	LED	LED
superCool function	-	■
Type of control	Electronic	Electronic
Number of shelves	4	3
Number of adjustable shelves	3	2
Number of door bins / shelves	3	2
Type of shelves	Safety glass	Safety glass
Temperature display	Digital LED	Digital display
Warning signal door open	■	■
Bottle shelves in fridge	■	-
KEY FEATURES – FREEZER SECTION		
superFreeze function	■	■
Temperature adjustable in freezer	-	-
Number of ice cube trays	1	1
Number of freezer drawers	3	4
ADDITIONAL INFORMATION		
Energy efficiency class	A E	A E
Energy consumption ¹ (kWh/annum)	234	298
Total net capacity (litres)	260	249
Refrigerator net capacity (litres)	184	150
Freezer net capacity litres	76	99
Climate class ²	SN-ST	SN-ST
Noise level (dB [A] re 1pW)	35	39
Noise level class	B	C
Additional accessories included	3 x egg trays 1 x ice cube tray 1 x bottle support	3 x egg trays 1 x ice cube tray 1 x bottle support
Height of product (mm)	1772	1772
Width of product (mm)	541	541
Depth of product (mm)	548	548

■ Yes, model has this feature. – Feature not available for this model.

¹ Actual energy consumption will depend on how the appliance is used and where it is located.

² Climate zone SN = designed to operate in ambient temperature of +10°C to 32°C.

Climate zone T = designed to operate in ambient temperature of +18°C to 43°C.

Data valid in this table as of April 2024. Subject to modification without prior notice.

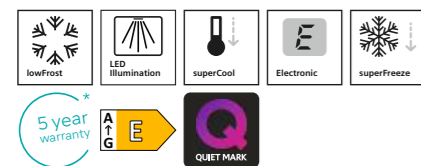
*5 year warranty - Offer dates: 01.04.24 – 31.03.25. T&C's apply. Online registration required.

Fridge freezers

LowFrost

iQ 500 K187SAFE0G

noFrost bottom fridge freezer
177cm high



Built-in fridge freezer specifications

APPLIANCE TYPE	LOWFROST BOTTOM FRIDGE FREEZER
Design family	iQ 500
Model number	K187SAFE0G
DESIGN FEATURES	
Fridge / Freezer split	70 / 30
noFrost	-
lowFrost or Manual defrost	lowFrost
softClose hinge	-
Type of hinge (reversible)	Fixed hinge
Home Connect	-
FOOD FRESHNESS SYSTEM	
hyperFresh	1 hyperFresh drawer
KEY FEATURES – FRIDGE SECTION	
Light	LED
superCool function	■
Type of control	Electronic
Number of shelves	5
Number of adjustable shelves	4
Number of door bins / shelves	5
Type of shelves	Safety glass
Temperature display	Digital LED
Warning signal door open	■
Bottle shelves in fridge	-
KEY FEATURES – FREEZER SECTION	
superFreeze function	■
Temperature adjustable in freezer	■
Number of ice cube trays	1
Number of freezer drawers	2
ADDITIONAL INFORMATION	
Energy efficiency class	A G E
Energy consumption ¹ (kWh/annum)	207
Total net capacity (litres)	272
Refrigerator net capacity (litres)	209
Freezer net capacity (litres)	63
Climate class ²	SN-ST
Noise level (dB [A] re 1pW)	36
Noise level class	C
Additional accessories included	3 x egg trays 1 x ice cube tray
Height of product (mm)	1772
Width of product (mm)	558
Depth of product (mm)	545

■ Yes, model has this feature. – Feature not available for this model.

¹ Actual energy consumption will depend on how the appliance is used and where it is located.

² Climate zone SN = designed to operate in ambient temperature of +10°C to 32°C.
Climate zone T = designed to operate in ambient temperature of +18°C to 43°C.

Data valid in this table as of April 2024. Subject to modification without prior notice.
*5 year warranty - Offer dates: 01.04.24 – 31.03.25. T&C's apply. Online registration required.



Built-in fridge freezer specifications

APPLIANCE TYPE	LOWFROST BOTTOM FRIDGE FREEZERS			
Design family	iQ 300	iQ 300	iQ 300	iQ 100
Model number	K186VVFEOG	K187VVFEOG	K187VVSEOG	K187VNSEOG
DESIGN FEATURES				
Fridge / Freezer split	60 / 40	70 / 30	70 / 30	70 / 30
noFrost	-	-	-	-
lowFrost or Manual defrost	lowFrost	lowFrost	lowFrost	lowFrost
softClose hinge	-	-	-	-
Type of hinge (reversible)	Fixed hinge	Fixed hinge	Sliding hinge	Sliding hinge
Home Connect	-	-	-	-
FOOD FRESHNESS SYSTEM				
hyperFresh	1 hyperFresh drawer	1 hyperFresh drawer	1 hyperFresh drawer	1 x vegetable box
KEY FEATURES – FRIDGE SECTION				
Light	LED	LED	LED	LED
superCool function	-	-	-	■
Type of control	Electronic	Electronic	Electronic	Electronic
Number of shelves	4	5	5	5
Number of adjustable shelves	3	4	4	4
Number of door bins / shelves	3	4	4	4
Type of shelves	Safety glass	Safety glass	Safety glass	Safety glass
Temperature display	Digital LED	Digital LED	Digital LED	Digital LED
Warning signal door open	■	■	■	■
Bottle shelves in fridge	■	■	■	-
KEY FEATURES – FREEZER SECTION				
superFreeze function	■	■	■	■
Temperature adjustable in freezer	-	-	-	-
Number of ice cube trays	1	1	1	1
Number of freezer drawers	3	2	2	2
ADDITIONAL INFORMATION				
Energy efficiency class	A G E	A G E	A G E	A G E
Energy consumption ¹ (kWh/annum)	229	216	216	216
Total net capacity (litres)	267	270	270	270
Refrigerator net capacity (litres)	183	200	200	200
Freezer net capacity (litres)	84	70	70	70
Climate class ²	SN-ST	SN-ST	SN-ST	SN-ST
Noise level (dB [A] re 1pW)	35	35	35	35
Noise level class	B	B	B	B
Additional accessories included	3 x egg trays 1 x ice cube tray 1 x bottle support	3 x egg trays 1 x ice cube tray 1 x bottle support	3 x egg trays 1 x ice cube tray 1 x bottle support	3 x egg trays, 1 x ice cube tray
Height of product (mm)	1772	1772	1772	1772
Width of product (mm)	541	541	541	541
Depth of product (mm)	548	548	548	548

■ Yes, model has this feature. – Feature not available for this model.

¹ Actual energy consumption will depend on how the appliance is used and where it is located.

² Climate zone SN = designed to operate in ambient temperature of +10°C to 32°C.
Climate zone T = designed to operate in ambient temperature of +18°C to 43°C.

Data valid in this table as of April 2024. Subject to modification without prior notice.
*5 year warranty - Offer dates: 01.04.24 – 31.03.25. T&C's apply. Online registration required.



Single door fridges and freezers

iQ 500 KI81RADE0G

Single door fridge
177cm high



Built-in single door fridges and freezer specifications

APPLIANCE TYPE	FRIDGE 177CM
Design family	iQ 500
Model number	KI81RADD0G
DESIGN FEATURES	
noFrost	-
lowFrost or Manual defrost	■
softClose hinge	■
Type of hinge (reversible)	Fixed hinge
Home Connect	-
FOOD FRESHNESS SYSTEM	
hyperFresh	2 x hyperFresh drawers 1 x veg box
KEY FEATURES – FRIDGE SECTION	
Light	LED
superCool function	■
Type of control	Electronic
Number of shelves	7
Number of adjustable shelves	4
Number of door bins / shelves	5
Type of shelves	Safety glass
Temperature display	Digital LED
Warning signal door open	■
Bottle shelves in fridge	■
KEY FEATURES – FREEZER SECTION	
superFreeze function	-
Temperature adjustable in freezer	-
Number of ice cube trays	-
Number of freezer drawers	-
ADDITIONAL INFORMATION	
Energy efficiency class	A+G D
Energy consumption ¹ (kWh/annum)	91
Total net capacity (litres)	310
Freezer net capacity (litres)	-
Climate class ²	SN-ST
Noise level (dB [A] re 1pW)	34
Noise level class	B
Additional accessories included	3 x egg trays 1 x bottle support
Height of product (mm)	1772
Width of product (mm)	558
Depth of product (mm)	548

■ Yes, model has this feature. - Feature not available for this model.

¹ Actual energy consumption will depend on how the appliance is used and where it is located.
² Climate zone SN = designed to operate in ambient temperature of +10°C to 32°C.
 Climate zone T = designed to operate in ambient temperature of +18°C to 43°C.
 Data valid in this table as of April 2024. Subject to modification without prior notice.
 *5 year warranty - Offer dates: 01.04.24 – 31.03.25. T&C's apply. Online registration required.



Built-in single door fridges and freezer specifications

APPLIANCE TYPE	FRIDGES 177CM		FRIDGE WITH FREEZER SECTION 177CM
Design family	iQ 300	iQ 100	iQ 300
Model number	KI81RVFE0G	KI81RNSE0G	KI82LVFE0
DESIGN FEATURES			
noFrost	-	-	-
lowFrost or Manual defrost	■	■	■
softClose hinge	-	-	-
Type of hinge (reversible)	Fixed hinge	Sliding hinge	Fixed hinge
Home Connect	-	-	-
FOOD FRESHNESS SYSTEM			
hyperFresh	2 x vegetable boxes	2 x vegetable boxes	2 x vegetable boxes
KEY FEATURES – FRIDGE SECTION			
Light	LED	LED	LED
superCool function	■	■	■
Type of control	Electronic	Electronic	Electronic
Number of shelves	7	7	6
Number of adjustable shelves	5	5	4
Number of door bins / shelves	5	5	5
Type of shelves	Safety glass	Safety glass	Safety glass
Temperature display	Digital LED	Digital LED	Digital LED
Warning signal door open	■	■	■
Bottle shelves in fridge	■	-	■
KEY FEATURES – FREEZER SECTION			
superFreeze function	-	-	-
Temperature adjustable in freezer	-	-	-
Number of ice cube trays	-	-	1
Number of freezer drawers	-	-	-
ADDITIONAL INFORMATION			
Energy efficiency class	A+G E	A+G E	A+G E
Energy consumption ¹ (kWh/annum)	114	114	177
Total net capacity (litres)	310	310	280
Freezer net capacity (litres)	-	-	34
Climate class ²	SN-ST	SN-ST	SN-ST
Noise level (dB [A] re 1pW)	35	35	35
Noise level class	B	B	B
Additional accessories included	3 x egg trays 1 x bottle support	3 x egg trays	3 x egg trays 1 x ice cube tray 1 x bottle support
Height of product (mm)	1772	1772	1772
Width of product (mm)	541	541	541
Depth of product (mm)	548	548	548

■ Yes, model has this feature. - Feature not available for this model.

¹ Actual energy consumption will depend on how the appliance is used and where it is located.
² Climate zone SN = designed to operate in ambient temperature of +10°C to 32°C.
 Climate zone T = designed to operate in ambient temperature of +18°C to 43°C.
 Data valid in this table as of April 2024. Subject to modification without prior notice.
 *5 year warranty - Offer dates: 01.04.24 – 31.03.25. T&C's apply. Online registration required.

Built-in single door fridges and freezer specifications



APPLIANCE TYPE	FREEZERS 177CM	
Design family	IQ700	IQ300
Model number	G181NHCE0G	G181NVEE0G
DESIGN FEATURES		
noFrost	■	■
lowFrost or Manual defrost	-	-
softClose hinge	■	-
Type of hinge (reversible)	Fixed hinge	Fixed hinge
Home Connect	■	-
FOOD FRESHNESS SYSTEM		
hyperFresh	-	-
KEY FEATURES – FRIDGE SECTION		
Light	-	-
superCool function	-	-
Type of control	Electronic	Electronic
Number of shelves	-	-
Number of adjustable shelves	-	-
Number of door bins / shelves	-	-
Type of shelves	-	-
Temperature display	Digital LED	Digital LED
Warning signal door open	-	-
Bottle shelves in fridge	-	-
KEY FEATURES – FREEZER SECTION		
superFreeze function	■	■
Temperature adjustable in freezer	■	■
Number of ice cube trays	1	1
Number of freezer drawers	5	5
ADDITIONAL INFORMATION		
Energy efficiency class	A G E	A G E
Energy consumption ¹ (kWh/annum)	235	235
Total net capacity (litres)	212	212
Freezer net capacity (litres)	212	212
Climate class ²	SN-T	SN-T
Noise level (dB [A] re 1pW)	35	35
Noise level class	B	B
Additional accessories included	1 x ice cube tray	1 x ice cube tray
Height of product (mm)	1772	1772
Width of product (mm)	558	558
Depth of product (mm)	545	545

■ Yes, model has this feature. - Feature not available for this model.

¹ Actual energy consumption will depend on how the appliance is used and where it is located.

² Climate zone SN = designed to operate in ambient temperature of +10°C to 32°C.

Climate zone T = designed to operate in ambient temperature of +18°C to 43°C.

Data valid in this table as of April 2024. Subject to modification without prior notice.

*5 year warranty - Offer dates: 01.04.24 – 31.03.25. T&C's apply. Online registration required.

Built-in single door fridges and freezer specifications



APPLIANCE TYPE	FRIDGE 122CM	FRIDGES 87CM	
Design family	IQ100	IQ300	IQ100
Model number	KI41R2FE1	KI21RVFE0	KI21RNSE0
DESIGN FEATURES			
noFrost	-	-	-
lowFrost or Manual defrost	■	■	■
softClose hinge	-	-	-
Type of hinge (reversible)	Fixed hinge	Fixed hinge	Sliding hinge
Home Connect	-	-	-
FOOD FRESHNESS SYSTEM			
hyperFresh	1 x vegetable box	1 x vegetable box	1 x vegetable box
KEY FEATURES – FRIDGE SECTION			
Light	LED	LED	LED
superCool function	■	■	■
Type of control	Electronic	Electronic	Electronic
Number of shelves	5	3	3
Number of adjustable shelves	4	2	2
Number of door bins / shelves	4	2	2
Type of shelves	Safety glass	Safety glass	Safety glass
Temperature display	Digital LED	Digital LED	Digital LED
Warning signal door open	■	■	■
Bottle shelves in fridge	-	■	-
KEY FEATURES – FREEZER SECTION			
superFreeze function	-	-	-
Temperature adjustable in freezer	-	-	-
Number of ice cube trays	-	-	-
Number of freezer drawers	-	-	-
ADDITIONAL INFORMATION			
Energy efficiency class	A G E	A G E	A G E
Energy consumption ¹ (kWh/annum)	101	92	92
Total net capacity (litres)	204	136	136
Freezer net capacity (litres)	-	-	-
Climate class ²	SN-ST	SN-ST	SN-ST
Noise level (dB [A] re 1pW)	35	35	35
Noise level class	B	B	B
Additional accessories included	3 x egg trays	3 x egg trays 1 x bottle support	3 x egg trays
Height of product (mm)	1221	874	874
Width of product (mm)	541	541	541
Depth of product (mm)	548	548	548

■ Yes, model has this feature. - Feature not available for this model.

¹ Actual energy consumption will depend on how the appliance is used and where it is located.

² Climate zone SN = designed to operate in ambient temperature of +10°C to 32°C.

Climate zone T = designed to operate in ambient temperature of +18°C to 43°C.

Data valid in this table as of April 2024. Subject to modification without prior notice.

*5 year warranty - Offer dates: 01.04.24 – 31.03.25. T&C's apply. Online registration required.

Built-in single door fridges and freezer specifications



APPLIANCE TYPE	FREEZER 87CM	BUILT-UNDER FRIDGES WITH ICE BOX 82CM
Design family	TQ500	TQ500
Model number	GI21VAFE0	KU22LVFD0G
DESIGN FEATURES		
noFrost	-	-
lowFrost or Manual defrost	■	■
softClose hinge	-	-
Type of hinge (reversible)	Fixed hinge	Fixed hinge
Home Connect	-	■
FOOD FRESHNESS SYSTEM		
hyperFresh	-	-
KEY FEATURES – FRIDGE SECTION		
Light	-	LED
superCool function	-	■
Type of control	Electronic	Electronic
Number of shelves	-	3
Number of adjustable shelves	-	2
Number of door bins / shelves	-	2
Type of shelves	-	Safety glass
Temperature display	Digital LED	Digital LED
Warning signal door open	-	■
Bottle shelves in fridge	-	-
KEY FEATURES – FREEZER SECTION		
superFreeze function	■	-
Temperature adjustable in freezer	■	-
Number of ice cube trays	1	1
Number of freezer drawers	3	-
ADDITIONAL INFORMATION		
Energy efficiency class		
Energy consumption ¹ (kWh/annum)	176	119
Total net capacity (litres)	96	110
Freezer net capacity (litres)	-	17
Climate class ²	SN-T	SN-T
Noise level (dB [A] re 1pW)	36	35
Noise level class	C	B
Additional accessories included	1 x ice cube tray	3 x egg trays 1 x ice cube tray
Height of product (mm)	874	820
Width of product (mm)	558	598
Depth of product (mm)	545	548

■ Yes, model has this feature. - Feature not available for this model.

¹ Actual energy consumption will depend on how the appliance is used and where it is located.

² Climate zone SN = designed to operate in ambient temperature of +10°C to 32°C.

Climate zone T = designed to operate in ambient temperature of +18°C to 43°C.

Data valid in this table as of April 2024. Subject to modification without prior notice.

*5 year warranty - Offer dates: 01.04.24 – 31.03.25. T&C's apply. Online registration required.

Built-under single door fridges and freezer specifications



APPLIANCE TYPE	BUILT-UNDER FRIDGES 82CM	BUILT-UNDER FREEZERS 82CM
Design family	TQ300	TQ300
Model number	KU21RVFE0G	GU21NVFE0G
DESIGN FEATURES		
noFrost	-	■
lowFrost or Manual defrost	■	-
softClose hinge	-	-
Type of hinge (reversible)	Fixed hinge	Fixed hinge
Home Connect	■	■
FOOD FRESHNESS SYSTEM		
hyperFresh	-	-
KEY FEATURES – FRIDGE SECTION		
Light	LED	-
superCool function	■	-
Type of control	Electronic	Electronic
Number of shelves	4	-
Number of adjustable shelves	3	-
Number of door bins / shelves	2	-
Type of shelves	Safety glass	-
Temperature display	Digital LED	Digital LED
Warning signal door open	■	-
Bottle shelves in fridge	-	-
KEY FEATURES – FREEZER SECTION		
superFreeze function	-	■
Temperature adjustable in freezer	-	■
Number of ice cube trays	-	1
Number of freezer drawers	-	3
ADDITIONAL INFORMATION		
Energy efficiency class		
Energy consumption ¹ (kWh/annum)	93	189
Total net capacity (litres)	134	85
Freezer net capacity (litres)	-	85
Climate class ²	SN-T	SN-T
Noise level (dB [A] re 1pW)	35	35
Noise level class	B	B
Additional accessories included	3 x egg trays	1 x ice cube tray
Height of product (mm)	820	820
Width of product (mm)	598	598
Depth of product (mm)	548	548

■ Yes, model has this feature. - Feature not available for this model.

¹ Actual energy consumption will depend on how the appliance is used and where it is located.

² Climate zone SN = designed to operate in ambient temperature of +10°C to 32°C.

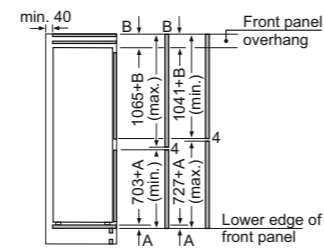
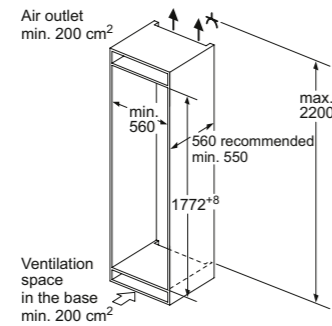
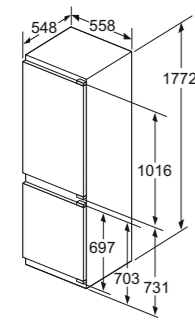
Climate zone T = designed to operate in ambient temperature of +18°C to 43°C.

Data valid in this table as of April 2024. Subject to modification without prior notice.

*5 year warranty - Offer dates: 01.04.24 – 31.03.25. T&C's apply. Online registration required.

studioLine technical diagrams

Fridge freezer KI86NSDDO

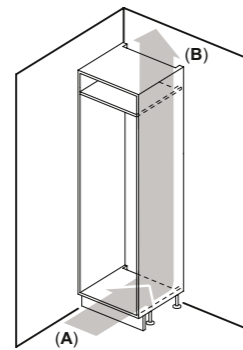


The specified unit door dimensions are valid for a door gap of 4 mm.

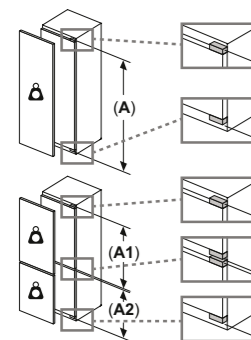
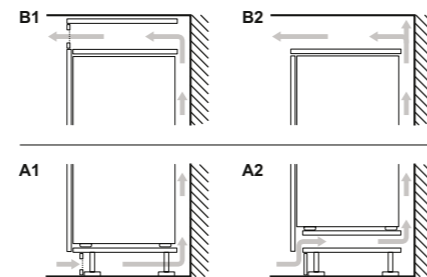
Recommended gap dimensions for flat hinges

F	R	X
16-19	0-3	2.5
20	0-1	3
	2-3	2.5
21	0-1	3
	2-3	2.5
22	0	4
	1	3.5
	2-3	3

The gap dimensions recommended in the table must be adhered to in order to ensure that appliance doors do not collide with anything when they are opened, and to avoid causing damage to kitchen units.



A: Air inlet $\geq 200 \text{ cm}^2$; Ventilation options
B: Air outlet $\geq 200 \text{ cm}^2$; Ventilation options



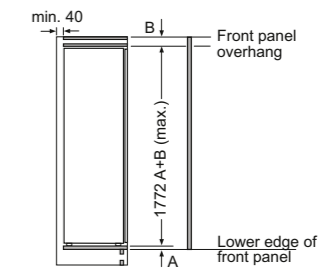
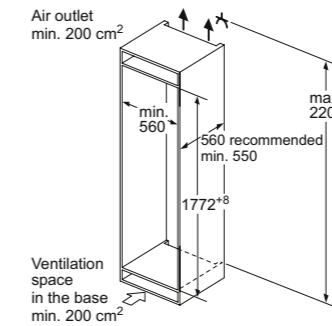
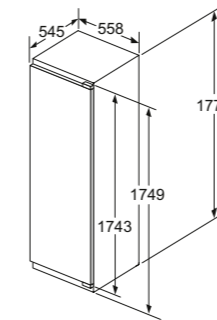
Maximal permissible weight of the unit fronts

Fitted unit fronts that exceed the permissible weight may cause damage and result in functional impairment of the hinges

- Δ Weight
- A: Appliance door height including hinges in mm
- B: Undamped hinge, unit front in kg
- C: Damped hinge, unit front in kg
- D: Additional possible load in kg with heavy load kit

A	B	C	D
1500-1750	22	22	B+5 / C+5
720-1400	19	19	
A1	15	19	
A2	15	19	

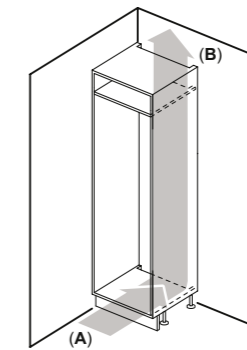
Single door fridge KI81FHODO, KI81RSOEO, KI82LSOEO and GI81NHNEO



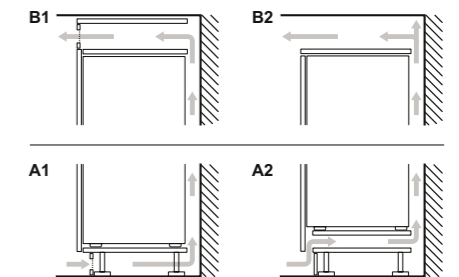
Recommended gap dimensions for flat hinges

F	R	X
16-19	0-3	2.5
20	0-1	3
	2-3	2.5
21	0-1	3
	2-3	2.5
22	0	4
	1	3.5
	2-3	3

The gap dimensions recommended in the table must be adhered to in order to ensure that appliance doors do not collide with anything when they are opened, and to avoid causing damage to kitchen units.



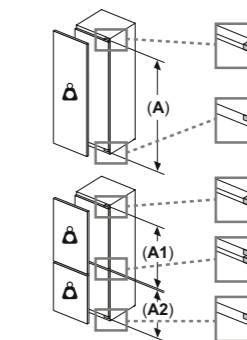
A: Air inlet $\geq 200 \text{ cm}^2$; Ventilation options
B: Air outlet $\geq 200 \text{ cm}^2$; Ventilation options



Maximal permissible weight of the unit fronts

Fitted kitchen unit doors that exceed the permissible weight may cause damage and result in functional impairment of the hinges.

T: Includes height of appliance door	undamped hinge, Door in kg:	damped hinge, Door in kg:
Hinges in mm:		
1500-1750	22	22



Maximal permissible weight of the unit fronts

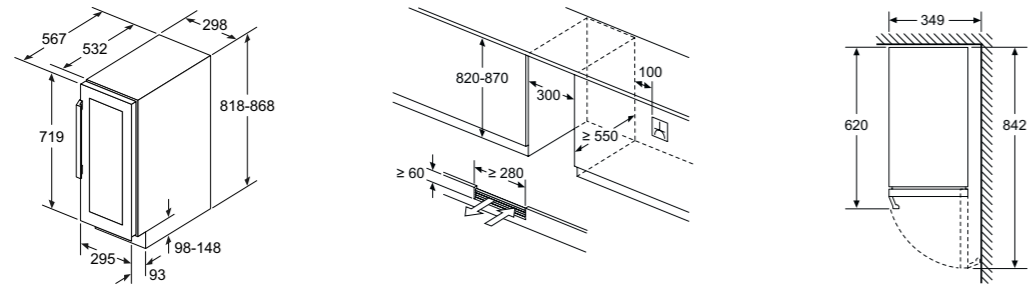
Fitted unit fronts that exceed the permissible weight may cause damage and result in functional impairment of the hinges

- Δ Weight
- A: Appliance door height including hinges in mm
- B: Undamped hinge, unit front in kg
- C: Damped hinge, unit front in kg
- D: Additional possible load in kg with heavy load kit

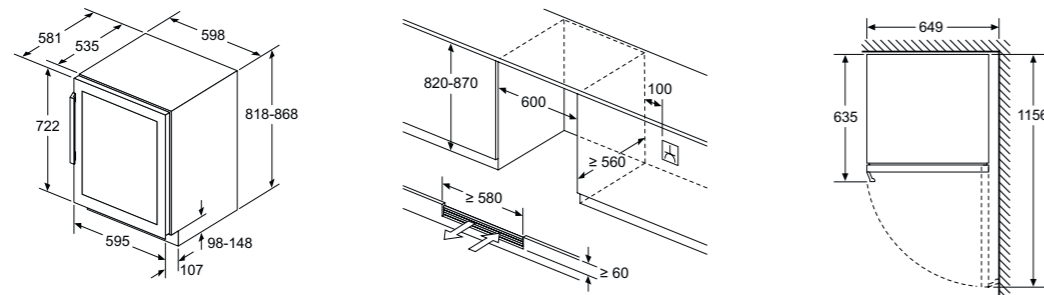
A	B	C	D
1500-1750	22	22	B+5 / C+5
720-1400	19	19	
A1	15	19	
A2	15	19	

Cooling technical diagrams

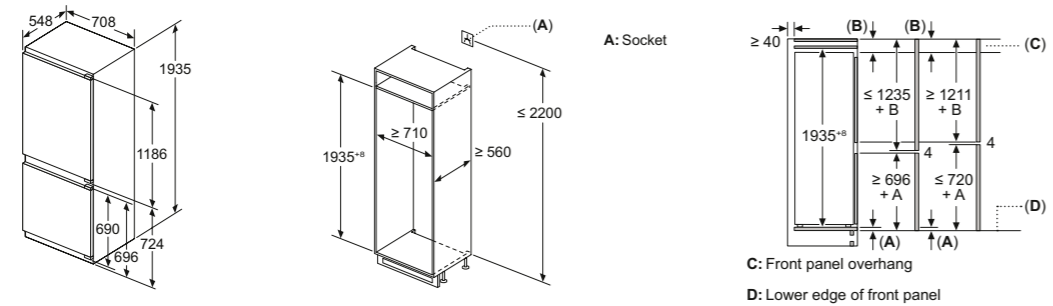
Wine cabinet KU20WVHF0G



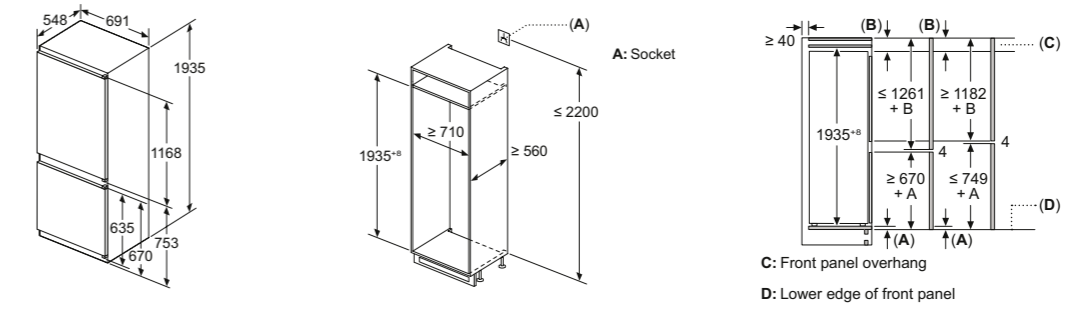
Wine cabinet KU21WAHG0G



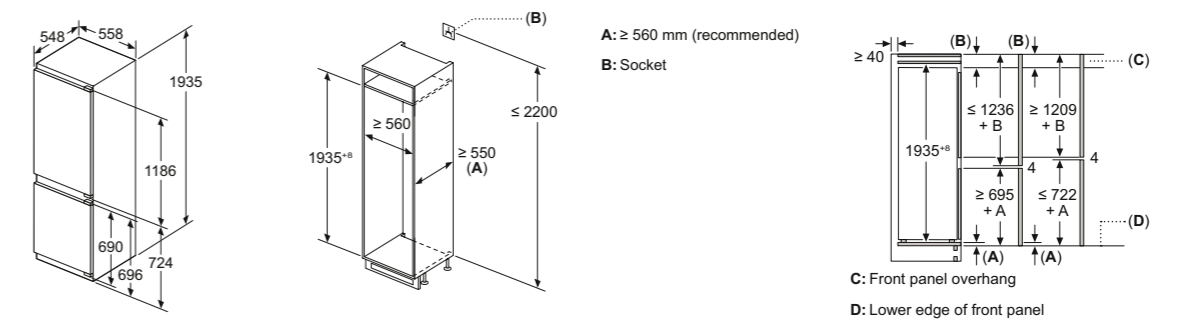
noFrost XXL bottom fridge freezer KB96NADDOG



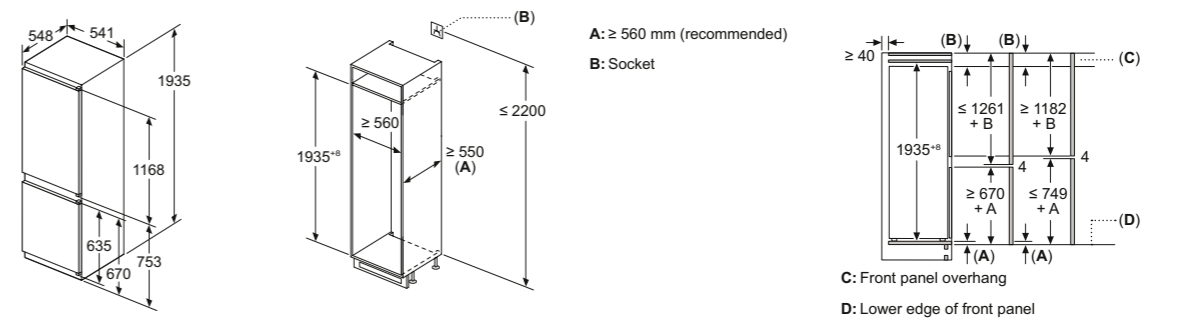
noFrost XXL bottom fridge freezer KB96NNSE0



noFrost XL bottom fridge freezer KI96NVFD0

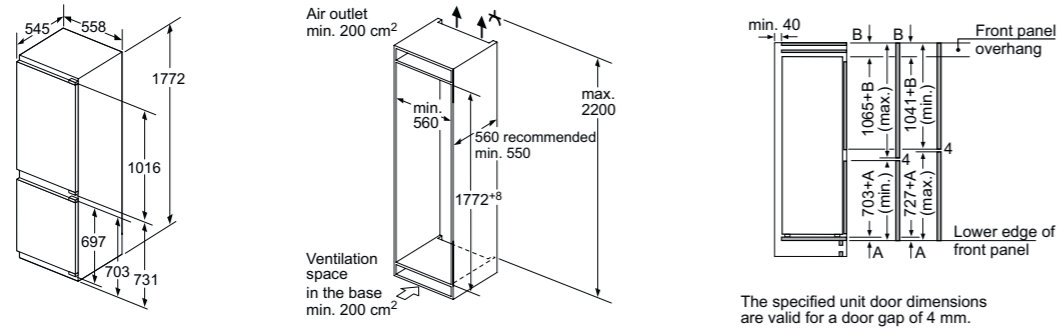


noFrost XL bottom fridge freezer KI96NNSE0



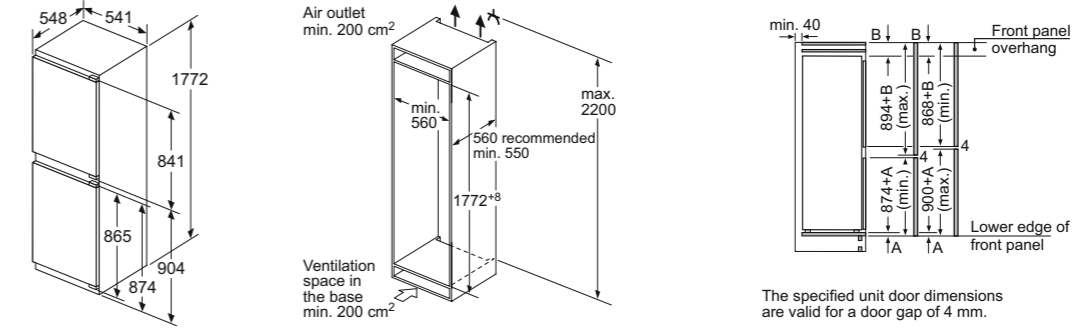
Cooling technical diagrams

noFrost bottom fridge freezer KI86NADD0



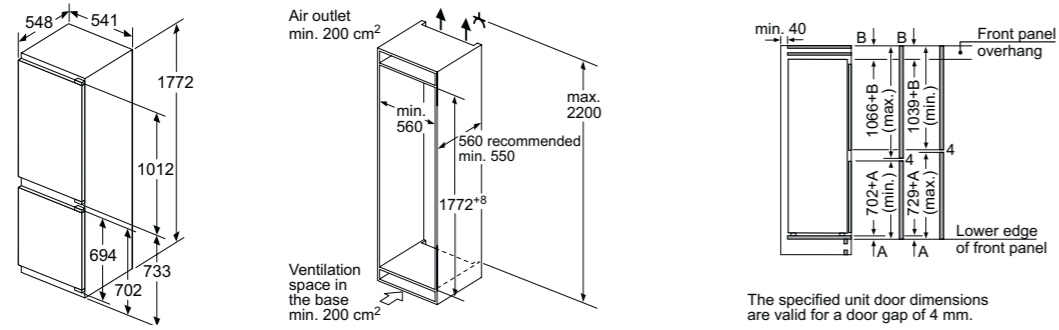
The specified unit door dimensions are valid for a door gap of 4 mm.

noFrost bottom fridge freezers KI85NNFE0G



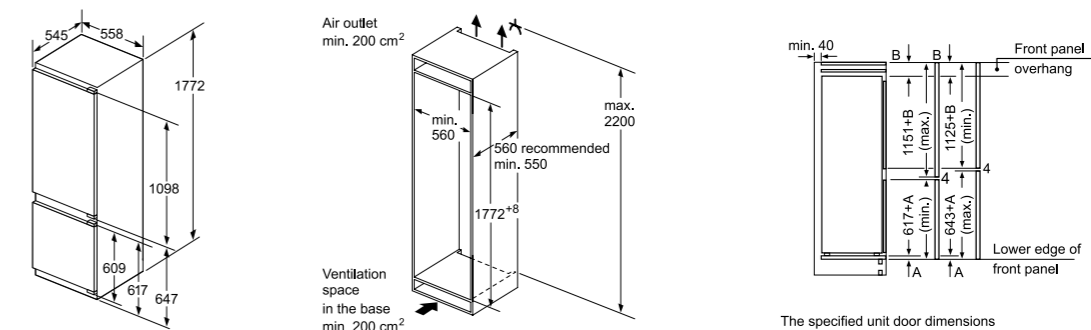
The specified unit door dimensions are valid for a door gap of 4 mm.

noFrost bottom fridge freezers KI86NHFE0 and KI86NVFE0G



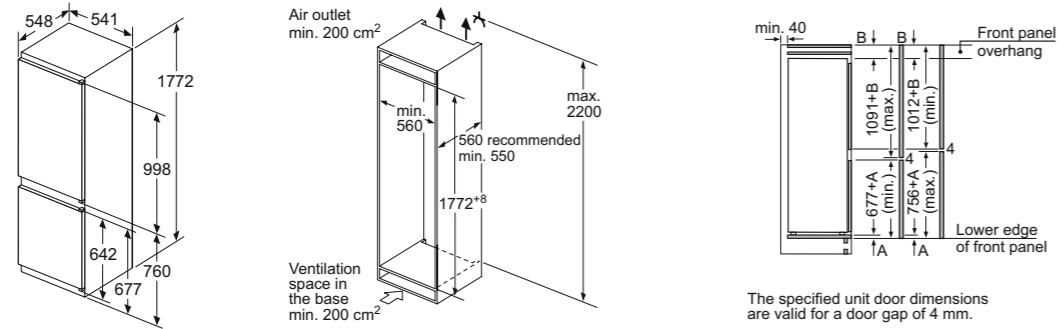
The specified unit door dimensions are valid for a door gap of 4 mm.

lowFrost bottom fridge freezer KI87SAFE0G



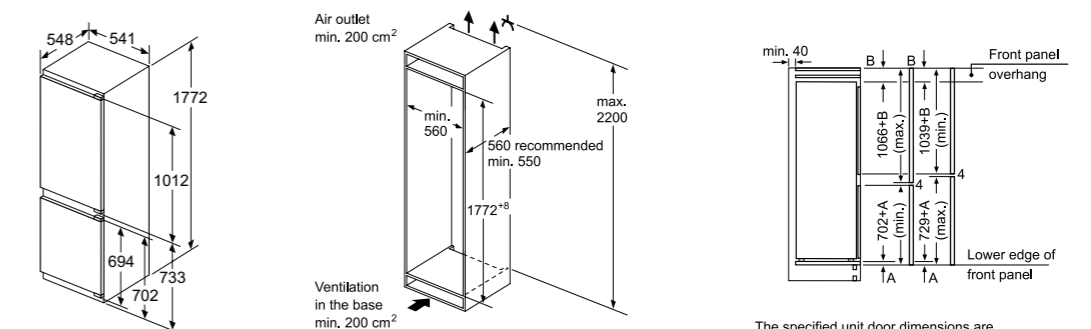
The specified unit door dimensions are valid for a door gap of 4 mm.

noFrost bottom fridge freezers KI86NVSE0G



The specified unit door dimensions are valid for a door gap of 4 mm.

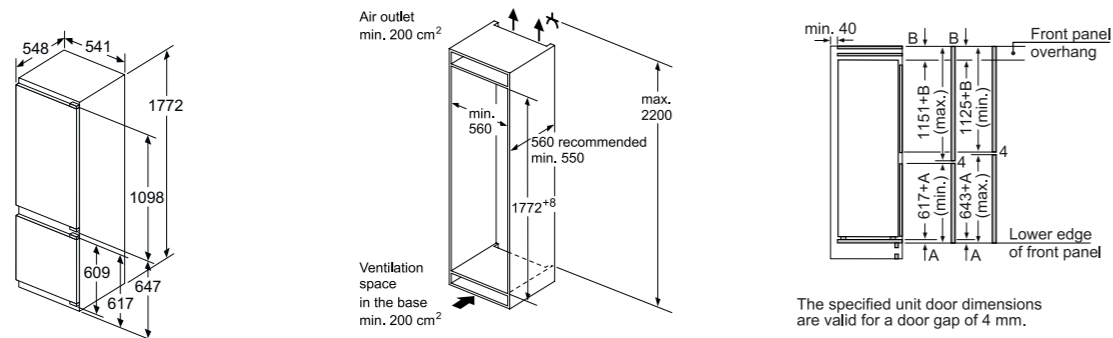
lowFrost bottom fridge freezer KI86VVFE0G



The specified unit door dimensions are valid for a door gap of 4 mm.

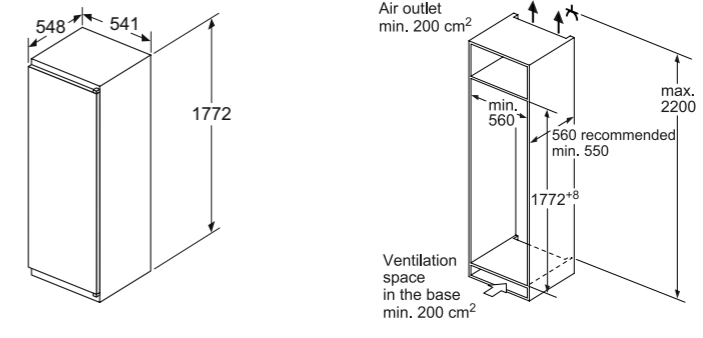
Cooling technical diagrams

lowFrost bottom fridge freezers KI87VVE0G

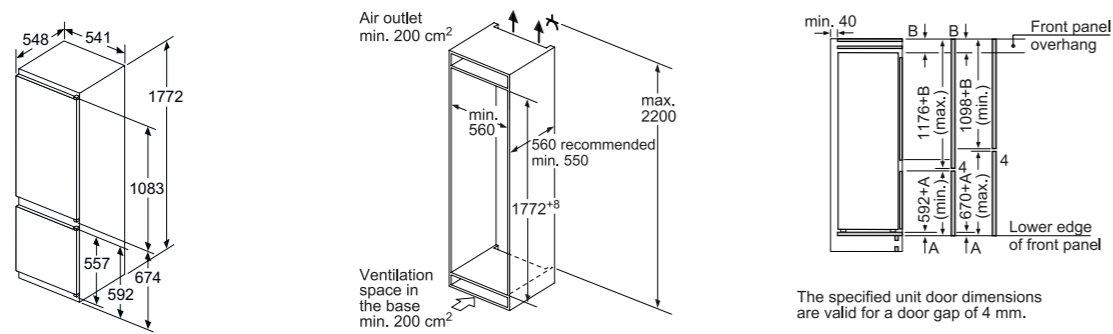


The specified unit door dimensions are valid for a door gap of 4 mm.

177cm fridge KI81RNSE0G

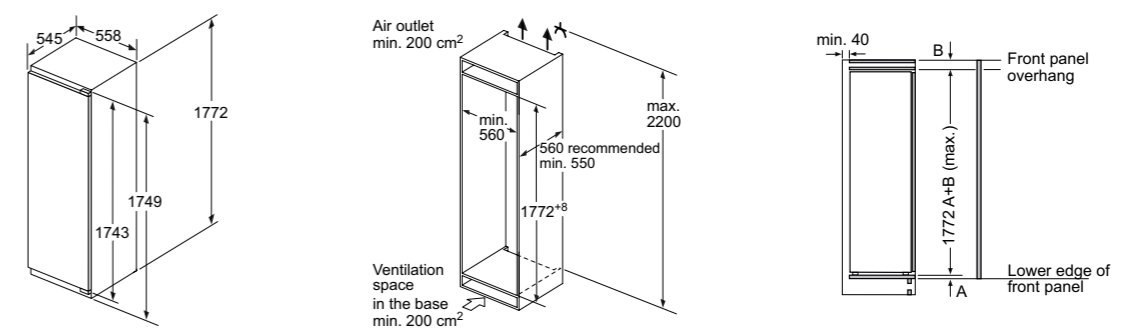


lowFrost bottom fridge freezers KI87VVSE0G and KI87VNSE0G

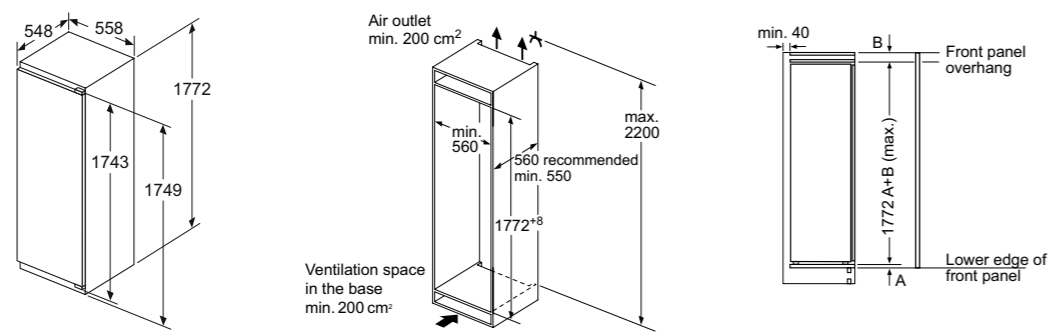


The specified unit door dimensions are valid for a door gap of 4 mm.

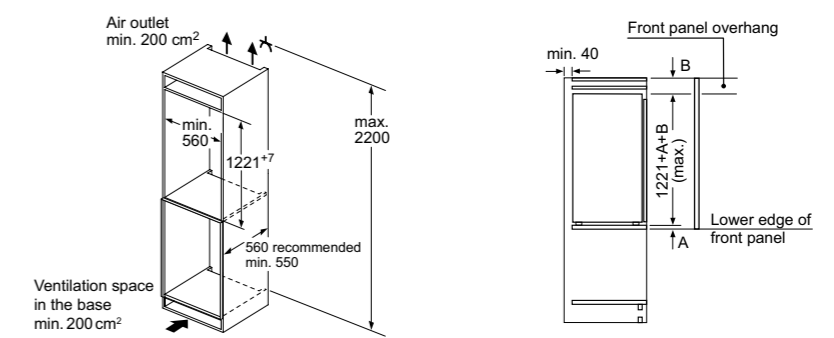
177cm freezers GI81NHCE0G and GI81NVEE0G



177cm fridges KI81RADD0G, KI81RVFE0G and KI82LVFE0

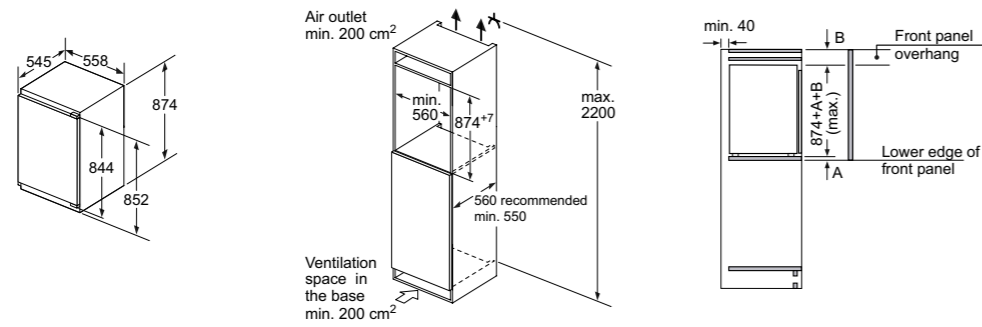


122cm fridge KI41R2FE1

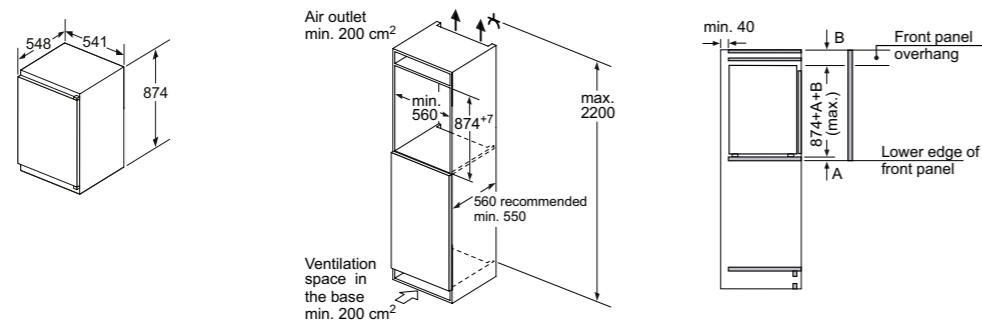


Cooling technical diagrams

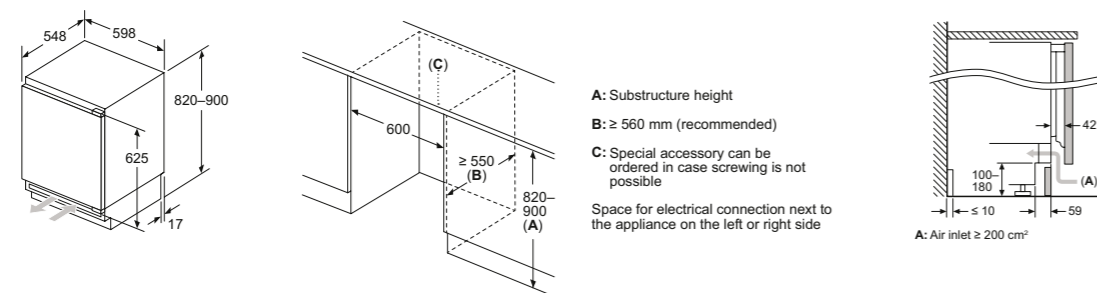
87cm fridge and freezer KI21RVFE0 and GI21VAFE0



87cm fridge KI21RNSE0



82cm built-under fridges and freezer KU22LVFD0G, KU21RVFE0G and GU21NVFE0G



Cooling. Super efficient, super stylish

Elegant, functional and packed with technology, a Siemens freestanding fridge freezer is a talking point in the kitchen.

Whether it is an American Style fridge freezer that has a wow-factor, a side by side fridge and freezer for extra space, or a single appliance, Siemens has a wide range of products to choose from. Our energy efficient appliances are packed with food preservation technology.



Model shown: KF96RSBEA
Multi Door / American style fridge freezer

Siemens freestanding cooling warranties:



5 year warranty

A five year warranty is available on selected freestanding cooling appliances listed in this brochure to protect against manufacturing and material faults during this warranty period.

Offer dates: 01.04.24 – 31.03.25. Online registration required. For full T&Cs and qualifying appliances visit siemens-home.bsh-group.com/uk/customer-service/siemens-warranties



2 year warranty

All other Siemens cooling appliances have a two year manufacturer's warranty as standard to protect against manufacturing or material faults.



10 Year Compressor Drive Warranty

Available on all Siemens freestanding fridge freezers, covers defects in compressor motor.

To find out more about warranty and for registration, please visit: siemens-home.bsh-group.com/uk/customer-service/siemens-warranties

Keeping food fresh for longer:



hyperFresh technology

Set the right conditions to ensure food stays fresh for longer with hyperFresh humidity drawers and near 0°C chiller drawers.



Freshness controlled: hyperFresh
Simply use the stylish control panel to adjust the humidity in the fridge. The hyperFresh drawer with a rippled base allows cool air to circulate easily around fruits and vegetables. As a result, the quality and freshness of the ingredients will be retained.



Shelf life maximised: hyperFresh Plus
The hyperFresh Plus drawer does not only store food, it provides the right conditions to keep ingredients fresh for longer. Whether it is fruits or vegetables, using the drawer will increase shelf life and reduce food wastage. Simply switch between the 2 control settings, and the humidity will be adjusted for optimum storage of food.



Food stays fresh for longer: hyperFresh Premium
Enjoy fresher food with hyperFresh Premium. With a choice of 3 humidity controls, simply select between storing fruits, vegetables, or both. The hyperFresh Premium drawer will regulate how much humidity the food receives. These innovative drawers help to keep in nutrients and minerals to create delicious meals and require fewer trips to the supermarkets, saving time, effort and money. hyperFresh Premium is available in selected Siemens single door fridges only.



Perfectly fresh for fish and meat: hyperFresh near 0°C chiller drawers
The hyperFresh near 0°C chiller drawers, on the hyperFresh and hyperFresh plus models, are especially designed for the storage needs of fish and meat. Keep them fresh in ideal conditions near 0°C to retain the vitamins and minerals for longer. With two separate compartments the transfer of unpleasant smells will be avoided.

hyperFresh Premium models come complete with a larger full-length near 0°C chiller drawer, where fish and meat are stored at the perfect temperature.



Technology that helps make life easier



With noFrost technology, the job of defrosting the freezer never needs to be done again.



noFrost
Defrosting the freezer is now done automatically. Siemens freezers are equipped with intelligent sensor-controlled technology to save the hassle of defrosting the freezer. An air-circulation system guides the humidity to the outside of the refrigerator into an external evaporation tray, and sensors measure the degree of humidity and any frost production – ensuring the appliance is periodically defrosted without the need to turn off the appliance or empty it out. Also, ice no longer forms on the inside of the refrigerator, and the appliance’s energy consumption remains consistently low.



lowFrost
Thanks to the innovative lowFrost technology with the special evaporator, not only is there less ice build up, but also defrosting is much faster than in conventional systems. All lowFrost models have a water drainage system, to allow removal of all thawed water during the defrosting process.

Freezer storage made easy with bigBox.



Big enough for a busy lifestyle, the bigBox has the capacity for storing whole frozen turkeys, an entire leg of lamb, several pizzas, as well as the height to hold dessert glasses upright.

The bigBox provides plenty of space to accommodate and stack everything. And when an even larger space is needed, all the drawers and shelves can be easily removed from the freezer compartment which is ideal for the holidays and entertaining.



Stay connected in the kitchen, with Home Connect.

Smart fridges
Cooling appliances with Home Connect offer the ability to flexibly control Siemens appliances using smart devices, such as a smart phone, tablet or smart speaker. This means appliances can be controlled from anywhere; for example adjusting the fridge temperature to cool down whilst on the way home from the supermarket, or setting the fridge to holiday mode whilst at the airport. Push notifications can also be set up to send an alert if the door has accidentally been left open, or if the temperature has risen above a certain level.

For more information about Home Connect visit <https://www.siemens-home.bsh-group.com/uk/inspiration/innovation/connected/cooling>

Premium cooling options

for every size and style of kitchen

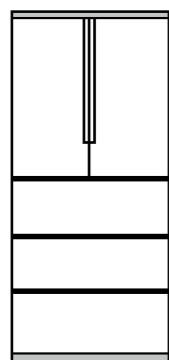
Choose the style and size.

When considering which freestanding appliance to purchase look at, what height space there is available? Consider the width? Is more capacity needed? Is more fridge or freezer space required?

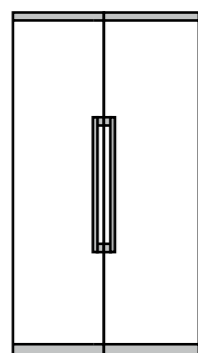
Height and width

Siemens has many different sizes of cooling models to suit varying needs from: 183cm-203cm high and between 60cm and 91cm in width.

French Style / Multi door
183 x 90cm



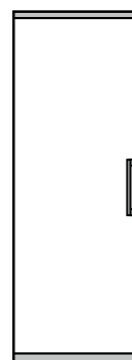
American Style
178 x 91cm



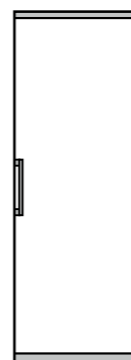
Fridge Freezers
203 x 70cm
203 x 60cm
186 x 60cm



Single Door Fridges
186 x 60cm



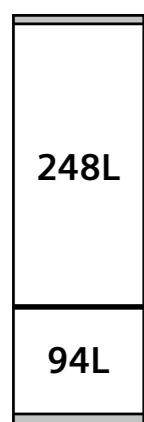
Single Door Freezers
186 x 60cm



Fridge Freezer split options

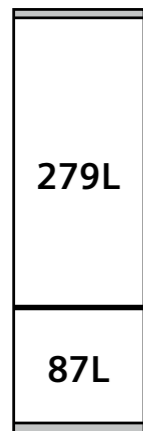
Siemens freestanding fridge freezers are split into two separate compartments so the split proportions can be decided depending on the food usage requirements.

Total Height:
201cm
70/30 door split



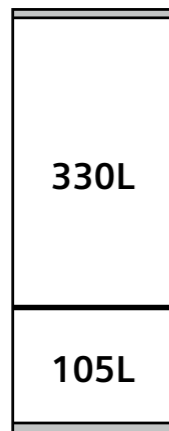
KG39

Total Height:
203cm
70/30 door split



KG39

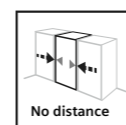
Total Height:
203cm
70/30 door split



KG49



Model shown:
KG49NXXDF



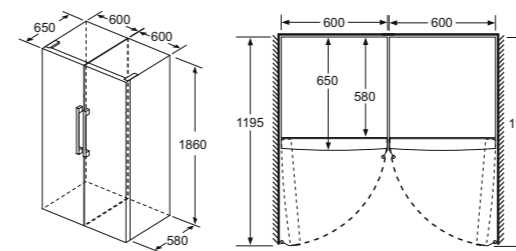
Create the perfect pair.

For extra internal space pair one of the below Siemens upright fridges alongside a Siemens upright freezer to re-create the style of an American fridge freezer with our easy access shelving zone.

For a design statement, combine the Black Steel iQ500 KS36VAXEP (fridge) with the iQ500 GS36NAXEP (freezer).

To complete these looks, a joining strip will need to be purchased to secure the two appliances. These can be bought through our website or through a retailer.

The joining strip product codes are:
KS39ZAL00 – Stainless Steel Easy Clean
KS39ZAX00 – Black Steel



Models shown: iQ500 KS36VAXEP single door fridge combined with iQ500 GS36NAXEP single door freezer using the KS39ZAX00 Black Steel joining strip

Models shown above:

KS36VVEPG (fridge)



GS36NVIEV (freezer)



Joining strip:

KS39ZAL00

Models shown above:

KS36VAXEP (fridge)



GS36NAXEP (freezer)



Tried and tested.

All Siemens fridges and freezers are built to last. Rigorous testing ensures that our products meet all the requirements of our customers. Every single one of our appliances is tested before it leaves the factory. For 24 hours a day, components are tested continuously to the maximum tolerance possible for the equivalent lifetime of the appliance.

Our doors are weighted and then opened and closed by the handle 200,000 times during testing to ensure they are robust (200,000 times is equivalent to opening and closing the door 27 times per day for 20 years). Materials are not only tested for suitability and longevity, we also look at how they sound and feel when we use them.

Make a stylish statement in the kitchen.

Introducing Multi Door / American Style fridge freezers.

From the premium double-width shelving to the sleek outer finishes – the Multi Door / American Style fridge freezers are designed to stand out in the kitchen. Behind the scenes, our cooling technologies such as multiAirFlow and fresh boxes provide the optimum temperatures to keep all food and drink at their best while adjustable shelving and smart compartments make it easy to personalise fridge space and keep shopping organised. Also with noFrost technology, the freezer will never need to be defrosted again.



Model shown: KF96RSBEA Multi Door / American Style fridge freezer



Model shown: KF96DPXEA Multi Door / American Style fridge freezer

Room for more. Refreshment at any time.

Room for more

The KF96RSBEA comes with a full width fridge and pull-out freezer. It even comes with a separate beverage drawer that has premium oak shelving compartments and five different set temperatures for soft drinks, beer, champagne, white wine and red wine. The beverage drawer stores drinks at the ideal temperature, always ready to enjoy. Perfect for busy kitchens.

Refreshment anytime

The new KF96DPXEA is the perfect combination, where freshness meets intelligent design. Featuring a quick ice and water dispenser with bottle fill function that can dispense up to 5kg of ice per day (cubes or crushed). It can also dispense freshly filtered water as needed with the built-in UltraClarityPro water filter. It also features a multi purpose shelf, which can be used as a bottle rack or flat, giving storage flexibility.



Cooling key features

Colour finish options.

Choose from a selection of colour finishes on Siemens cooling appliances. There is an option to suit every kitchen.



Black glass **Metallic silver** **Stainless steel antiFingerprint** **Black steel antiFingerprint** **White**

Handle options.

Depending on preference, choose from stylish quality bar handles or handles that are integrated into the appliance for a more seamless look.



Integrated Vertical **Vertical Bar Handle (Long)** **Vertical Bar Handle (Short)**

Temperature displays.

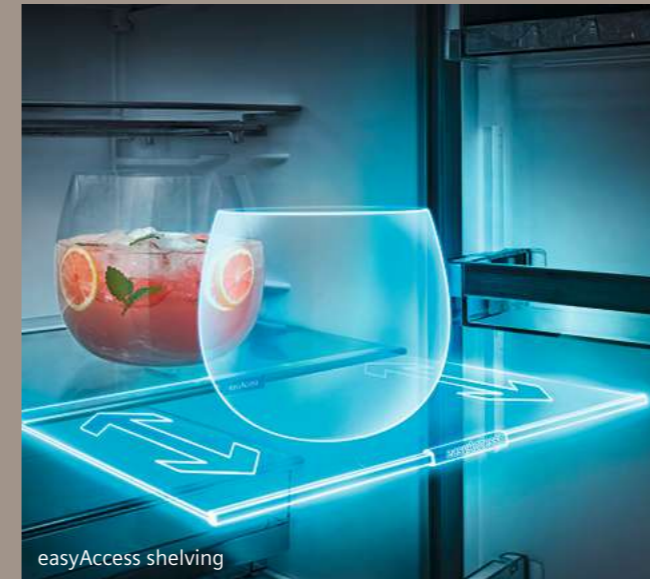
There are options for cooling appliances with a large front display, or with the control hidden on the inside of the appliance as our Siemens cooling range varies from large digital screens visible on the front door of the appliance to internal LED controls.



Exterior Electronic Display

Interior Digital LED Display (iQ300)

Interior Electronic LED Display



easyAccess shelving



easyLift door trays



LED Illumination



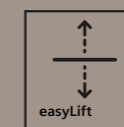
autoAirflow system



Bottle rack



easyAccess shelving zone on single door freezers
Creates additional space whilst delivering the design of an American fridge freezer interior compartment.



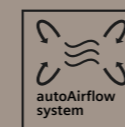
easyLift
Adjustable door trays and glass shelves that can be moved even when full for optimal convenience.



LED Illumination
Integrated seamlessly into the top or the side walls of our cooling appliances, LED lighting is very efficient and gives maximum illumination of the fridge and freezer.



Bottle rack
Available on some models which is the perfect place to store wine of all varieties and make the best use of the fridge space.



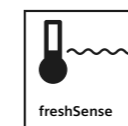
autoAirflow system
This system works with the electronics to optimise the air circulation within the fridge and freezer compartments to ensure even cooling throughout the appliance. This means however groceries are organised, it will cool them quickly no matter where they are placed. The back wall of the appliance has open vents which work with the cooling circuit to draw cold air into each compartment.

Experience intelligent cool



Model shown: KG49NXXDF fridge freezer

Fresh food for longer with sensor controlled cool.



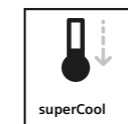
freshSense

Fresh food guaranteed for longer. With conventional fridges, varying surrounding temperatures and the continuous opening of the refrigerator door lead to temperature changes inside the appliance. To ensure this does not affect the food inside, sensors immediately react to any changes. The freshSense sensors activate as soon as a change in temperature is registered and compensates for this change in an instant. Therefore the temperature always remains within the optimum range, and food stays fresh and delicious for longer.



Inverter motor

The intelligent inverter technology is a clever combination of the inverter motor and sensor. The sensors register every slight change in temperature or humidity inside the refrigerator, for example when the door is opened or warm food is stored. This information is then passed to the inverter motor, which adapts its need for energy accordingly. This means food can be cooled intelligently and energy efficiently, and thanks to the high-quality inverter motor, incredibly quietly.



superCool

Ensures that warmer food entering the fridge does not increase the fridge temperature, which can affect other food.



superFreeze

superFreeze makes sure that warmer food added to the freezer does not raise the freezer temperature, stopping food partially defrosting.



Wrap around evaporator

This new technology creates more space in the freezer cavity, allowing for more innovations like bigBox for large food items, plus removable glass drawers.



iceTwister

Simply activate the iceTwister and receive up to 20 ice cubes at once right away. The water tank is very easy to remove for reliable refilling.

Explore more features that work around busy lifestyles.



safetyGlass shelves

All safety glass shelves are made from extra strong, easy-to-clean glass. If something tips over, the spillage is contained and does not spill into the rest of the refrigerator compartment.



Holiday mode




Holiday Mode will ensure that food in the freezer stays cold enough to maintain freshness whilst reducing its energy output. Our fridges also feature a warning alarm that signals when the door has been left open, ensuring that energy is not needlessly wasted and preserving the food inside.

Cooling product overview

Freestanding multi door / American fridge freezer






Product Type	Multi Door / American style fridge freezer	
	1830mm height	
Multi Door / American style fridge freezer	 <p>KF96DPXEA ■ IQ700 • 574 litre capacity • 905mm width • 731mm depth • 2 hyperFresh drawers • noFrost</p>	 <p>KF96RSBEA ■ IQ700 • 572 litre capacity • 905mm width • 736mm depth • 1 hyperFresh drawer • Beverage drawer • noFrost</p>
American style fridge freezer		

Home Connect






Multi Door / American style fridge freezer		American style fridge freezer
1830mm height		1787mm height
 <p>KF96NAXEAG ■ IQ500 • 605 litre capacity • 905mm width • 731mm depth • 2 hyperFresh drawers • noFrost</p>	 <p>KF96NVPEAG ■ IQ300 • 605 litre capacity • 905mm width • 731mm depth • 2 hyperFresh drawers • noFrost</p>	 <p>KA93GAIDP ■ IQ500 • 560 litre capacity • 908mm width • 707mm depth • 1 vegetable Box • noFrost</p>

Cooling product overview

Freestanding fridge freezers

Product Type	Fridge freezers				
	2030mm height				
Fridge freezers					
	KG39NAIAT ■(Q)500 • 363 litre capacity • 600mm width • 665mm depth • 2 hyperFresh drawers • noFrost	KG39NXIBF ■(Q)500 • 363 litre capacity • 600mm width • 665mm depth • 2 hyperFresh drawers • noFrost	KG49NXIDF ■(Q)300 • 440 litre capacity • 700mm width • 667mm depth • 2 hyperFresh drawers • noFrost	KG49NXXDF ■(Q)300 • 440 litre capacity • 700mm width • 667mm depth • 2 hyperFresh drawers • noFrost	KG39NXIBF ■(Q)300 • 363 litre capacity • 600mm width • 665mm depth • 2 hyperFresh drawers • noFrost

Freestanding single door fridges and freezers

Height (mm)	Fridges			Freezers	
	1860mm height			1860mm height	
Single door fridges					
	KG36NXXDF ■(Q)300 • 321 litre capacity • 600mm width • 665mm depth • 2 hyperFresh drawers • noFrost	KS36VVIIEPG ■(Q)500 • 346 litre capacity • 600mm width • 650mm depth • 1 hyperFresh drawer • lowFrost	KS36VAXEP ■(Q)500 • 346 litre capacity • 600mm width • 650mm depth • 1 hyperFresh drawer • 1 vegetable box		
Single door freezers					
				GS36NAXEP ■(Q)500 • 242 litre capacity • 600mm width • 650mm depth • noFrost	GS36NVIEV ■(Q)300 • 242 litre capacity • 600mm width • 650mm depth • noFrost

Wine cabinet



iQ500 KW36KATGA

Freestanding wine cabinet
Grey, glass door



Wine cabinet specifications

APPLIANCE TYPE	FREESTANDING WINE CABINETS
Design family	iQ500
Model number	KW36KATGA
DESIGN FEATURES	
Colour of door panels	Silver
Colour of side panels	Black
Type of glass door	3 glass panels, UV-filtered
Door handle type	Integrated vertical bar handle
Temperature display	Interior / Digital LED
Reversible door, hinged on right	■
Home Connect / Built-in cameras	-
KEY FEATURES – WINE CABINET SECTION	
Range of temperature (0°C)	7 - 19
Temperature zones	2
LED light	LED
Number of shelves	10
Number of oak shelves	8
Number of adjustable shelves	4
Presenter shelf and lighting	■
Capacity in 0.75l (Bordeaux bottles)	199
FUNCTIONS	
Door open warning signal/malfunction	■
Child lock	■
PERFORMANCE & CONSUMPTION	
Energy efficiency class	A G
Energy consumption* (kWh/annum)	155
Refrigerator net capacity (litres)	370
Climate Class ²	SN-ST
Noise level (dB [A] re 1pW)	38
Noise level class	C
Height of product (mm)	1860
Width of product (mm)	600
Depth of product (mm)	610

■ Yes, model has this feature. – Feature not available for this model.

* Actual energy consumption will depend on how the appliance is used and where it is located.

² Climate zone SN = designed to operate in ambient temperature of +10°C to 32°C.

Climate zone ST = designed to operate in ambient temperature of +16°C to 38°C.

Data valid in this table as of April 2024. Subject to modification without prior notice.



Model shown:
KW36KATGA wine cabinet

iQ700 KF96RSBEAMulti Door / American Style fridge freezer
Black glass door, cast iron sides

Multi Door / American Style fridge freezer specifications

APPLIANCE TYPE	FREESTANDING 90CM
Design family	iQ700
Model number	KF96RSBEA
DESIGN FEATURES	
Colour of door panels	Black glass
Colour of side panels	Cast iron
Style of handle	Integrated vertical handle
Colour of handle	Cast iron
noFrost in fridge and freezer	■
Home Connect	■
FOOD FRESHNESS SYSTEM	
hyperFresh	1 x hyperFresh drawer 1 x beverage drawer
KEY FEATURES – FRIDGE SECTION	
Product highlights	LED
superCool function	■
Type of control	Electronic
Number of shelves	5
Number of adjustable shelves	4
Bottle shelves in fridge	Beverage drawer
Number of door bins / shelves	6
Temperature display	Digital LED
Warning signal door open	■
KEY FEATURES – FREEZER SECTION	
superFreeze function	■
Temperature adjustable in freezer	■
Number of ice cube trays	Twist ice box
Ice dispenser features	–
Number of freezer drawers	3
ADDITIONAL INFORMATION	
Energy efficiency class	A B C
Energy consumption ¹ (kWh/annum)	320
Total net capacity (litres)	572
Refrigerator net capacity (litres)	401
Freezer net capacity (litres)	171
Climate class ²	SN-T
Noise level (dB [A] re 1pW)	39
Noise level class	C
Additional accessories included	3 x egg trays
Height of product (mm)	1830
Width of product (mm)	905
Depth of product (mm)	736

■ Yes, model has this feature. – Feature not available for this model.

¹Actual energy consumption will depend on how the appliance is used and where it is located.²Climate zone SN = designed to operate in ambient temperature of +10°C to 32°C. Climate zone T = designed to operate in ambient temperature of +18°C to 43°C.

Data valid in this table as of April 2024. Subject to modification without prior notice.

*5 year warranty - Offer dates: 01.04.24 – 31.03.25. T&C's apply. Online registration required.

iQ700 KF96DPXEAMulti Door / American Style fridge freezer
Black stainless steel

Multi Door / American Style fridge freezer specifications

APPLIANCE TYPE	FREESTANDING 90CM
Design family	iQ700
Model number	KF96DPXEA
DESIGN FEATURES	
Colour of door panels	Black stainless steel
Colour of side panels	Cast iron
Style of handle	Horizontal and vertical integrated handle
Colour of handle	Black
noFrost in fridge and freezer	■
Home Connect	■
FOOD FRESHNESS SYSTEM	
hyperFresh	2 x hyperFresh drawers
KEY FEATURES – FRIDGE SECTION	
Product highlights	LED
superCool function	■
Type of control	Electronic
Number of shelves	5
Number of adjustable shelves	4
Bottle shelves in fridge	1
Number of door bins / shelves	5
Temperature display	Digital
Warning signal door open	■
KEY FEATURES – FREEZER SECTION	
superFreeze function	■
Temperature adjustable in freezer	■
Number of ice cube trays	Automatic ice cube maker
Ice dispenser features	Crushed ice, ice cubes, water, water filter
Number of freezer drawers	6
ADDITIONAL INFORMATION	
Energy efficiency class	A B C
Energy consumption ¹ (kWh/annum)	327
Total net capacity (litres)	574
Refrigerator net capacity (litres)	375
Freezer net capacity (litres)	199
Climate class ²	SN-T
Noise level (dB [A] re 1pW)	39
Noise level class	C
Additional accessories included	1 x connection hose, 3 x egg trays
Height of product (mm)	1830
Width of product (mm)	905
Depth of product (mm)	731

■ Yes, model has this feature. – Feature not available for this model.

¹Actual energy consumption will depend on how the appliance is used and where it is located.²Climate zone SN = designed to operate in ambient temperature of +10°C to 32°C. Climate zone T = designed to operate in ambient temperature of +18°C to 43°C.

Data valid in this table as of April 2024. Subject to modification without prior notice.

*5 year warranty - Offer dates: 01.04.24 – 31.03.25. T&C's apply. Online registration required.



Multi Door / American Style fridge freezer specifications

APPLIANCE TYPE	FREESTANDING 90CM
Design family	iQ500
Model number	KF96NAXEAG
DESIGN FEATURES	
Colour of door panels	Black stainless steel
Colour of sides	Cast iron
Style of handle	Horizontal and vertical integrated handle
Colour of handle	Black
noFrost in fridge and freezer	■
Home Connect	■
FOOD FRESHNESS SYSTEM	
hyperFresh	2 x hyperFresh drawers
KEY FEATURES – FRIDGE SECTION	
Product highlights	LED
superCool function	■
Type of control	Electronic
Number of shelves	4
Number of adjustable shelves	3
Shelves for bottles	–
Number of door bins / shelves	5
Temperature display	Digital
Warning signal door open	■
KEY FEATURES – FREEZER SECTION	
superFreeze function	■
Temperature adjustable in freezer	■
Number of ice cube trays	1
Ice dispenser features	–
Number of freezer drawers	6
ADDITIONAL INFORMATION	
Energy efficiency class	A G E
Energy consumption ¹ (kWh/annum)	333
Total net capacity (litres)	605
Refrigerator net capacity (litres)	405
Freezer net capacity (litres)	200
Climate class ²	SN-T
Noise level (dB [A] re 1pW)	38
Noise level class	C
Additional accessories included	3 x egg trays
Height of product (mm)	1830
Width of product (mm)	905
Depth of product (mm)	731

■ Yes, model has this feature. – Feature not available for this model.

¹ Actual energy consumption will depend on how the appliance is used and where it is located.

² Climate zone SN = designed to operate in ambient temperature of +10°C to 32°C. Climate zone T = designed to operate in ambient temperature of +18°C to 43°C.

Data valid in this table as of April 2024. Subject to modification without prior notice.

*5 year warranty - Offer dates: 01.04.24 – 31.03.25. T&C's apply. Online registration required.

Multi Door / American Style fridge freezer specifications

APPLIANCE TYPE	FREESTANDING 90CM
Design family	iQ300
Model number	KF96NVPEAG
DESIGN FEATURES	
Colour of door panels	Stainless steel
Colour of sides	Chrome Inox-Metallic
Style of handle	Horizontal and vertical integrated handle
Colour of handle	Black
noFrost in fridge and freezer	■
Home Connect	–
FOOD FRESHNESS SYSTEM	
hyperFresh	2 x hyperFresh drawers
KEY FEATURES – FRIDGE SECTION	
Product highlights	LED
superCool function	■
Type of control	Electronic
Number of shelves	3
Number of adjustable shelves	2
Shelves for bottles	–
Number of door bins / shelves	5
Temperature display	Digital
Warning signal door open	■
KEY FEATURES – FREEZER SECTION	
superFreeze function	■
Temperature adjustable in freezer	■
Number of ice cube trays	1
Ice dispenser features	–
Number of freezer drawers	6
ADDITIONAL INFORMATION	
Energy efficiency class	A G E
Energy consumption ¹ (kWh/annum)	333
Total net capacity (litres)	605
Refrigerator net capacity (litres)	405
Freezer net capacity (litres)	200
Climate class ²	SN-T
Noise level (dB [A] re 1pW)	38
Noise level class	C
Additional accessories included	3 x egg trays
Height of product (mm)	1830
Width of product (mm)	905
Depth of product (mm)	731

■ Yes, model has this feature. – Feature not available for this model.

¹ Actual energy consumption will depend on how the appliance is used and where it is located.

² Climate zone SN = designed to operate in ambient temperature of +10°C to 32°C. Climate zone T = designed to operate in ambient temperature of +18°C to 43°C.

Data valid in this table as of April 2024. Subject to modification without prior notice.

*5 year warranty - Offer dates: 01.04.24 – 31.03.25. T&C's apply. Online registration required.

Traditional American Style fridge freezer

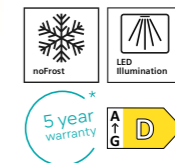


iQ 500 KA93GAIDP

American Style fridge freezer
Stainless steel



Temperature Display: Exterior Digital



American Style fridge freezer specifications

Available from May 2024

APPLIANCE TYPE	FREESTANDING 90CM
Design family	iQ 500
Model number	KA93GAIDP
DESIGN FEATURES	
Colour of door panels	Stainless steel
Colour of sides	Grey
Style of handle	Vertical bar handle
Colour of handle	Silver
noFrost in fridge and freezer	■
Home Connect	-
FOOD FRESHNESS SYSTEM	
hyperFresh	1 x vegetable box
KEY FEATURES – FRIDGE SECTION	
Product highlights	LED
superCool function	■
Type of control	Electronic
Number of shelves	5
Number of adjustable shelves	0
Shelves for bottles	■
Number of door bins / shelves	5
Temperature display	Digital
Warning signal door open	■
KEY FEATURES – FREEZER SECTION	
superFreeze function	■
Temperature adjustable in freezer	■
Number of ice cube trays	Automatic ice maker
Ice dispenser features	Crushed ice, ice cubes, water filter
Number of freezer drawers	2
ADDITIONAL INFORMATION	
Energy efficiency class	A+D
Energy consumption ¹ (kWh/annum)	323
Total net capacity (litres)	560
Refrigerator net capacity (litres)	369
Freezer net capacity (litres)	191
Climate class ²	SN-T
Noise level (dB [A] re 1pW)	42
Noise level class	D
Additional accessories included	1 x connection hose, 3 x egg trays
Height of product (mm)	1787
Width of product (mm)	908
Depth of product (mm)	707

■ Yes, model has this feature. – Feature not available for this model.

¹ Actual energy consumption will depend on how the appliance is used and where it is located.

² Climate zone SN = designed to operate in ambient temperature of +10°C to 32°C. Climate zone T = designed to operate in ambient temperature of +18°C to 43°C.

Data valid in this table as of April 2024. Subject to modification without prior notice.

*5 year warranty - Offer dates: 01.04.24 – 31.03.25. T&C's apply. Online registration required.

For specification details, please visit siemens-home.bsh-group.com/uk and download a full specification sheet.

For the full range of accessories, please visit our online accessory shop at siemens-home.bsh-group.com/uk/shop or call our Spares Department on 0344 892 8999.



Model shown:
KA93GAIDP American Style fridge freezer

Freestanding fridge freezers



iQ300 KG49NXXDF

Freestanding fridge freezer
Black steel



Freestanding fridge freezer
noFrost specifications

APPLIANCE TYPE	FREESTANDING FRIDGE FREEZER NOFROST
Design family	iQ300
Model number	KG49NXXDF
DESIGN FEATURES	
Colour of door panels	Black stainless steel
Colour of sides	Cast iron
Style of handle	Integrated vertical handle
Colour of handle	-
noFrost in fridge and freezer	■
Home Connect	-
FOOD FRESHNESS SYSTEM	
hyperFresh	2 x hyperFresh drawers
KEY FEATURES – FRIDGE SECTION	
Light	LED
superCool function	■
Type of control	Electronic
Number of shelves	5
Number of adjustable shelves	3
Number of door bins / shelves	4
Type of shelves	Safety glass
Temperature display	Digital LED
Warning signal door open	■
Bottle shelves in fridge	■
KEY FEATURES – FREEZER SECTION	
superFreeze function	■
Temperature adjustable in freezer	■
Number of ice cube trays	1
Bottle shelves in fridge	3
ADDITIONAL INFORMATION	
Energy efficiency class	A D
Energy consumption ¹ (kWh/annum)	223
Total net capacity (litres)	440
Freezer net capacity (litres)	129
Climate Class ²	SN-T
Noise level (dB [A] re 1pW)	35
Noise level class	B
Additional accessories included	3 x egg trays 1 x ice cube tray 1 x bottle support
Height of product (mm)	2030
Width of product (mm)	700
Depth of product (mm)	667

■ Yes, model has this feature. – Feature not available for this model.

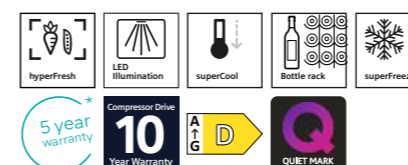
¹Actual energy consumption will depend on how the appliance is used and where it is located.

²Climate zone SN = designed to operate in ambient temperature of +10°C to 32°C.

Climate zone T = designed to operate in ambient temperature of +18°C to 43°C.

Data valid in this table as of April 2024. Subject to modification without prior notice.

*5 year warranty - Offer dates: 01.04.24 – 31.03.25. T&C's apply. Online registration required.



Model shown:
KG49NXXDF fridge freezer



Freestanding fridge freezer noFrost specifications

APPLIANCE TYPE	FREESTANDING FRIDGE FREEZERS NOFROST		
Design family	IQ300	IQ500	IQ500
Model number	KG49NXIDF	KG39NAIAT	KG39NEXBF
DESIGN FEATURES			
Colour of door panels	Stainless steel	Stainless steel	Black stainless steel
Colour of sides	Pearl grey	Pearl grey	Cast iron
Style of handle	Integrated vertical handle	Vertical bar handle	Integrated vertical handle
Colour of handle	-	Inox metallic	-
noFrost in fridge and freezer	■	■	■
Home Connect	-	-	-
FOOD FRESHNESS SYSTEM			
hyperFresh	2 x hyperFresh drawers	2 x hyperFresh drawers	2 x hyperFresh drawers
KEY FEATURES – FRIDGE SECTION			
Light	LED	LED	LED
superCool function	■	■	■
Type of control	Electronic	Electronic	Electronic
Number of shelves	5	5	5
Number of adjustable shelves	3	3	3
Number of door bins / shelves	4	3	3
Type of shelves	Safety glass	Safety glass	Safety glass
Temperature display	Digital LED	Digital LED	Digital LED
Warning signal door open	■	■	■
Bottle shelves in fridge	■	■	■
KEY FEATURES – FREEZER SECTION			
superFreeze function	■	■	■
Temperature adjustable in freezer	■	■	■
Number of ice cube trays	1	1	1
Bottle shelves in fridge	3	3	3
ADDITIONAL INFORMATION			
Energy efficiency class			
Energy consumption ¹ (kWh/annum)	223	104	129
Total net capacity (litres)	440	363	363
Freezer net capacity (litres)	129	103	103
Climate Class ²	SN-T	SN-T	SN-T
Noise level (dB [A] re 1pW)	35	29	33
Noise level class	B	A	B
Additional accessories included	3 x egg trays 1 x ice cube tray 1 x bottle support	3 x egg trays 1 x ice cube tray 1 x bottle support 1 x bottle cooler	3 x egg trays 1 x ice cube tray 1 x bottle support 1 x bottle cooler
Height of product (mm)	2030	2030	2030
Width of product (mm)	700	600	600
Depth of product (mm)	667	665	665

■ Yes, model has this feature. – Feature not available for this model.

¹ Actual energy consumption will depend on how the appliance is used and where it is located.

² Climate zone SN = designed to operate in ambient temperature of +10°C to 32°C.
Climate zone T = designed to operate in ambient temperature of +18°C to 43°C.

Data valid in this table as of April 2024. Subject to modification without prior notice.
*5 year warranty - Offer dates: 01.04.24 – 31.03.25. T&C's apply. Online registration required.



Freestanding fridge freezer noFrost specifications

APPLIANCE TYPE	FREESTANDING FRIDGE FREEZERS NOFROST	
Design family	IQ300	IQ300
Model number	KG39NXIBF	KG36NXXDF
DESIGN FEATURES		
Colour of door panels	Stainless steel	Black stainless steel
Colour of sides	Pearl grey	Cast iron
Style of handle	Integrated vertical handle	Integrated vertical handle
Colour of handle	-	-
noFrost in fridge and freezer	■	■
Home Connect	-	-
FOOD FRESHNESS SYSTEM		
hyperFresh	2 x hyperFresh drawers	2 x hyperFresh drawers
KEY FEATURES – FRIDGE SECTION		
Light	LED	LED
superCool function	■	■
Type of control	Electronic	Electronic
Number of shelves	5	4
Number of adjustable shelves	3	2
Number of door bins / shelves	4	3
Type of shelves	Safety glass	Safety glass
Temperature display	Digital LED	Digital LED
Warning signal door open	■	■
Bottle shelves in fridge	■	■
KEY FEATURES – FREEZER SECTION		
superFreeze function	■	■
Temperature adjustable in freezer	■	■
Number of ice cube trays	1	1
Bottle shelves in fridge	3	3
ADDITIONAL INFORMATION		
Energy efficiency class		
Energy consumption ¹ (kWh/annum)	129	199
Total net capacity (litres)	363	321
Freezer net capacity (litres)	103	103
Climate Class ²	SN-T	SN-T
Noise level (dB [A] re 1pW)	33	103
Noise level class	B	B
Additional accessories included	3 x egg trays 1 x ice cube tray 1 x bottle support	3 x egg trays 1 x ice cube tray 1 x bottle support
Height of product (mm)	2030	1860
Width of product (mm)	600	600
Depth of product (mm)	665	665

■ Yes, model has this feature. – Feature not available for this model.

¹ Actual energy consumption will depend on how the appliance is used and where it is located.

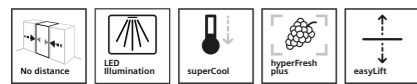
² Climate zone SN = designed to operate in ambient temperature of +10°C to 32°C.
Climate zone T = designed to operate in ambient temperature of +18°C to 43°C.

Data valid in this table as of April 2024. Subject to modification without prior notice.
*5 year warranty - Offer dates: 01.04.24 – 31.03.25. T&C's apply. Online registration required.

Upright single door fridges

iQ 500 KS36VAXEP

Freestanding fridge
Black stainless steel



Freestanding upright single door
fridge specifications

APPLIANCE TYPE	UPRIGHT SINGLE DOOR FRIDGE
Design family	iQ 500
Model number	KS36VAXEP
DESIGN FEATURES	
Colour of door panels	Black stainless steel
Colour of side panels	Cast iron
Style of handle	Vertical bar handle
Colour of handle	Stainless steel
noFrost in fridge and freezer	-
Home Connect	-
FOOD FRESHNESS SYSTEM	
hyperFresh	1 x hyperFresh drawer 1 x vegetable box
KEY FEATURES – FRIDGE SECTION	
Light	LED
superCool function	■
Type of control	Electronic
Number of shelves	7
Number of adjustable shelves	4
Number of door bins / shelves	5
Type of shelves	Safety glass
Temperature display	Digital LED
Warning signal door open	■
Bottle shelves in fridge	■
KEY FEATURES – FREEZER SECTION	
superFreeze function	-
Temperature adjustable in freezer	-
Number of ice cube trays	-
Number of freezer drawers	-
ADDITIONAL INFORMATION	
Energy efficiency class	A G E
Energy consumption ¹ (kWh/annum)	116
Total net capacity (litres)	346
Freezer net capacity (litres)	-
Climate Class ²	SN-T
Noise level (dB [A] re 1pW)	39
Noise level class	C
Additional accessories included	3 x egg trays 1 x bottle support
Height of product (mm)	1860
Width of product (mm)	600
Depth of product (mm)	650

■ Yes, model has this feature. - Feature not available for this model.

¹ Actual energy consumption will depend on how the appliance is used and where it is located.
² Climate zone SN = designed to operate in ambient temperature of +10°C to 32°C.
Climate zone T = designed to operate in ambient temperature of +18°C to 43°C.

Data valid in this table as of April 2024. Subject to modification without prior notice.
*5 year warranty - Offer dates: 01.04.24 – 31.03.25. T&Cs apply. Online registration required.



Freestanding upright single door
fridge specifications

APPLIANCE TYPE	UPRIGHT SINGLE DOOR FRIDGE
Design family	iQ 300
Model number	KS36VVEPG
DESIGN FEATURES	
Colour of door panels	Stainless steel
Colour of side panels	Pearl grey
Style of handle	Vertical bar handle
Colour of handle	Stainless steel
noFrost in fridge and freezer	-
Home Connect	-
FOOD FRESHNESS SYSTEM	
hyperFresh	1 x hyperFresh drawer
KEY FEATURES – FRIDGE SECTION	
Light	LED
superCool function	■
Type of control	Electronic
Number of shelves	7
Number of adjustable shelves	5
Number of door bins / shelves	5
Type of shelves	Safety glass
Temperature display	Digital LED
Warning signal door open	-
Bottle shelves in fridge	■
KEY FEATURES – FREEZER SECTION	
superFreeze function	-
Temperature adjustable in freezer	-
Number of ice cube trays	-
Number of freezer drawers	-
ADDITIONAL INFORMATION	
Energy efficiency class	A G D
Energy consumption ¹ (kWh/annum)	116
Total net capacity (litres)	346
Freezer net capacity (litres)	-
Climate Class ²	SN-T
Noise level (dB [A] re 1pW)	39
Noise level class	C
Additional accessories included	3 x egg trays 1 x bottle support
Height of product (mm)	1860
Width of product (mm)	600
Depth of product (mm)	650

■ Yes, model has this feature. - Feature not available for this model.

¹ Actual energy consumption will depend on how the appliance is used and where it is located.
² Climate zone SN = designed to operate in ambient temperature of +10°C to 32°C.
Climate zone T = designed to operate in ambient temperature of +18°C to 43°C.

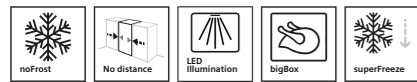
Data valid in this table as of April 2024. Subject to modification without prior notice.
*5 year warranty - Offer dates: 01.04.24 – 31.03.25. T&Cs apply. Online registration required.



Upright single door freezers

iQ 500 GS36NAXEP

Freestanding freezer
Black stainless steel



Freestanding upright single door
fridge specifications

APPLIANCE TYPE	UPRIGHT SINGLE DOOR FREEZER
Design family	iQ 500
Model number	GS36NAXEP
DESIGN FEATURES	
Colour of door panels	Black stainless steel
Colour of side panels	Cast iron
Style of handle	Vertical bar handle
Colour of handle	Stainless steel
noFrost in fridge and freezer	■
Home Connect	-
FOOD FRESHNESS SYSTEM	
hyperFresh	-
KEY FEATURES – FRIDGE SECTION	
Light	-
superCool function	-
Type of control	Electronic
Number of shelves	-
Number of adjustable shelves	-
Number of door bins / shelves	-
Type of shelves	-
Temperature display	Digital LED
Warning signal door open	■
Bottle shelves in fridge	-
KEY FEATURES – FREEZER SECTION	
superFreeze function	■
Temperature adjustable in freezer	■
Number of ice cube trays	Twist ice box
Number of freezer drawers	4
ADDITIONAL INFORMATION	
Energy efficiency class	A+G
Energy consumption ¹ (kWh/annum)	234
Total net capacity (litres)	242
Freezer net capacity (litres)	242
Climate Class ²	SN-T
Noise level (dB [A] re 1pW)	39
Noise level class	C
Additional accessories included	2 x ice blocks 1 x twist ice box
Height of product (mm)	1860
Width of product (mm)	600
Depth of product (mm)	650

■ Yes, model has this feature. - Feature not available for this model.

¹ Actual energy consumption will depend on how the appliance is used and where it is located.
² Climate zone SN = designed to operate in ambient temperature of +10°C to 32°C.
Climate zone T = designed to operate in ambient temperature of +18°C to 43°C.

Data valid in this table as of April 2024. Subject to modification without prior notice.
*5 year warranty - Offer dates: 01.04.24 – 31.03.25. T&Cs apply. Online registration required.



Freestanding upright single door
fridge specifications

APPLIANCE TYPE	UPRIGHT SINGLE DOOR FREEZER
Design family	iQ 300
Model number	GS36NMEV
DESIGN FEATURES	
Colour of door panels	Stainless steel
Colour of side panels	Pearl grey
Style of handle	Vertical bar handle
Colour of handle	Pearl grey
noFrost in fridge and freezer	■
Home Connect	-
FOOD FRESHNESS SYSTEM	
hyperFresh	-
KEY FEATURES – FRIDGE SECTION	
Light	-
superCool function	-
Type of control	Electronic
Number of shelves	-
Number of adjustable shelves	-
Number of door bins / shelves	-
Type of shelves	-
Temperature display	Digital LED
Warning signal door open	-
Bottle shelves in fridge	-
KEY FEATURES – FREEZER SECTION	
superFreeze function	■
Temperature adjustable in freezer	■
Number of ice cube trays	1
Number of freezer drawers	5
ADDITIONAL INFORMATION	
Energy efficiency class	A+G
Energy consumption ¹ (kWh/annum)	234
Total net capacity (litres)	242
Freezer net capacity (litres)	242
Climate Class ²	SN-T
Noise level (dB [A] re 1pW)	39
Noise level class	C
Additional accessories included	3 x ice cube tray
Height of product (mm)	1860
Width of product (mm)	600
Depth of product (mm)	650

■ Yes, model has this feature. - Feature not available for this model.

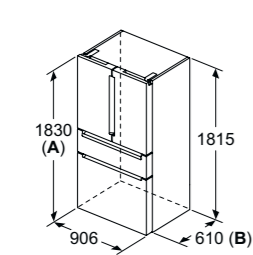
¹ Actual energy consumption will depend on how the appliance is used and where it is located.
² Climate zone SN = designed to operate in ambient temperature of +10°C to 32°C.
Climate zone T = designed to operate in ambient temperature of +18°C to 43°C.

Data valid in this table as of April 2024. Subject to modification without prior notice.
*5 year warranty - Offer dates: 01.04.24 – 31.03.25. T&Cs apply. Online registration required.



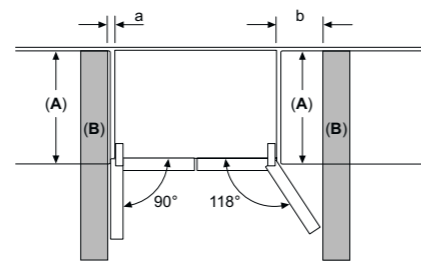
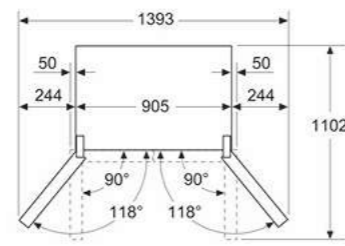
Cooling technical diagrams

Multi Door / American Style fridge freezer KF96RSBEA



A: Front is adjustable from 1830 to 1847 mm, with front levelling feet fully extended

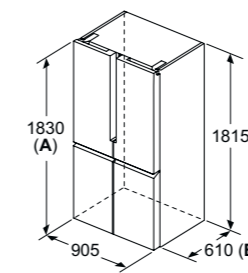
B: Add 25 mm for fixed spacers on back



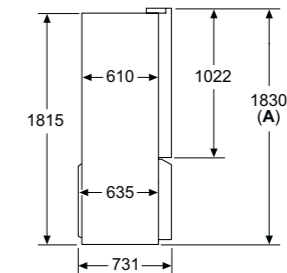
A	a	b
600	0	0
650	0	33
700	45	60
B	45	238

A: Unit depth
B: Wall

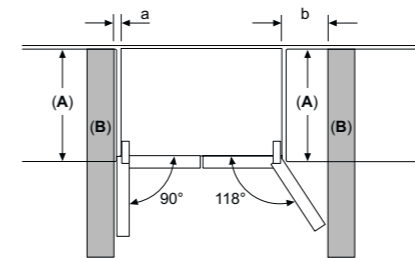
Multi Door / American Style fridge freezers KF96NAXEAG and KF96NVPEAG



A: Front is adjustable from 1830 to 1847, with front levelling feet fully extended
B: Add 25 for fixed spacers on back

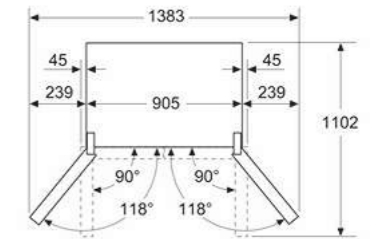


A: Front is adjustable from 1830 to 1847, with front levelling feet fully extended

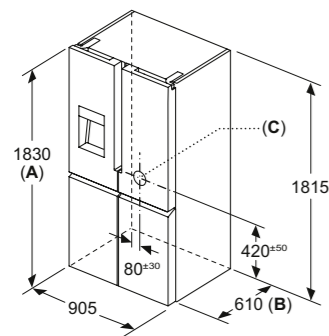


A	a	b
600	0	0
650	0	33
700	45	60
B	45	238

A: Unit depth
B: Wall



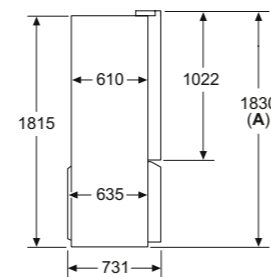
Multi Door / American Style fridge freezer KF96DPXEA



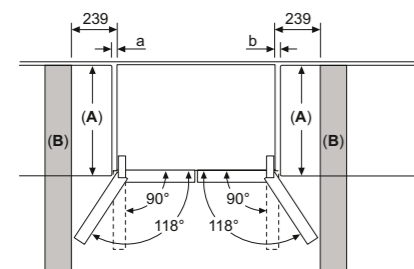
A: Front is adjustable 1830–1847 mm, with front levelling feet fully extended

B: Add 25 mm for fixed spacers on back

C: Water connection position



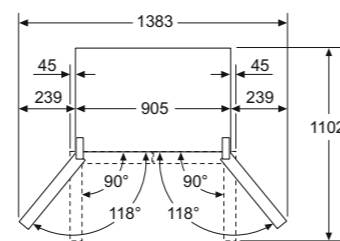
A: Front is adjustable 1830–1847 mm, with front levelling feet fully extended



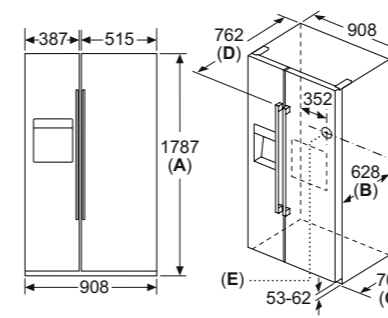
A	a	b
≤ 600	0	0
600 < A ≤ 650	45	45
650 < A ≤ 700	60	60
> 700	239	239

A: Kitchen cabinet or worktop depth

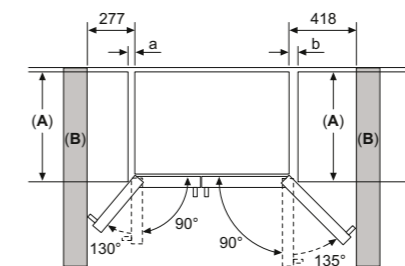
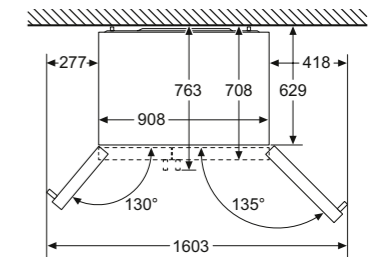
B: Wall
Drawers can be pulled and taken out with door open to 90°



American Style fridge freezer KA93GAIDP



Specifications	
A	Front is adjustable from 1783 to 1792
B	Cabinet depth
C	Depth incl. door, without handle
D	Depth incl. door, with handle
E	Water connection to the appliance



A	a	b
≤ 600	50	50
600 < A ≤ 650	50	50
650 < A ≤ 700	53	96
> 700	277	418

A: Kitchen cabinet or worktop depth

B: Wall
Drawers can be pulled out with door open to 90°

Drawers can be taken out with door completely opened

Innovative features for sparkling results

Siemens built-in dishwashers feature modern design and innovative ideas for seamless living.

Siemens dishwashers are equipped with practical innovations such as varioSpeed Plus, which washes and dries your dishes three times faster than the average cycle, and Zeolith® drying technology that transforms humidity into heat for gentle and effective drying results.

With maximum flexibility from adjustable baskets and foldable racks, and stylish innovations such as sideLight and timeLight floor projection, they provide the perfect balance between modern design and innovative technology. The ideal solution for family dinners or hosting parties for friends, as they ensure dishes and glasses are left sparkling clean.



Model shown: SN87TX00CE
fully integrated dishwasher

Siemens built-in dishwasher warranties:



studioLine 5 Year Warranty

A Five Year Warranty is available on all built-in studioLine cooling appliances listed in this brochure to protect against manufacturing and material faults during this warranty period.



5 year warranty

A five year warranty is available on all built-in dishwasher models listed in this brochure to protect against manufacturing and material faults during this warranty period.

Offer dates: 01.04.24 – 31.03.25. Online registration required. For full T&Cs and qualifying appliances visit [siemens-home.bsh-group.com/uk/customer-service/siemens-warranties](https://www.siemens-home.bsh-group.com/uk/customer-service/siemens-warranties)



10 Year Anti-Rust Warranty

All Siemens dishwashers purchased from the 1st January 2012 onwards have a 10 Year Anti-Rust Warranty to protect against rust in the inner cavity of the appliance.



Lifetime AquaStop Warranty

All Siemens built-in dishwashers listed in this brochure have a lifetime AquaStop warranty to protect against water damage caused by a defective AquaStop system.

To find out more about warranty and for registration, please visit: [siemens-home.bsh-group.com/uk/customer-service/siemens-warranties](https://www.siemens-home.bsh-group.com/uk/customer-service/siemens-warranties)

Speed, performance and efficiency built-in: studioLine dishwashers



Setting new standards for speed, cleaning performance and energy efficiency, studioLine dishwashers boast trend-setting technology and first-class features.

Delivering faster results without compromising on quality. Our A-rated dishwashers are designed to save energy, reduce carbon footprint, and help contribute to a greener world. Proof that performance and sustainability can go hand in hand.

Revolutionary technologies, like Zeolith®, ensure brilliant and energy efficient drying results.

emotionLight Pro helps create the perfect atmosphere with customisable illumination. There are 256 different colour variants to choose from.

They will seamlessly integrate into any kitchen design, and offer added planning flexibility with the varioHinge, available in 81.5cm and 86.5cm height options.

All studioLine dishwashers work with the Home Connect app, so you can control or personalise settings using voice or your smart device.

Made in Germany
Experience a high standard of quality with our 60cm studioLine dishwashers which are made in Germany.

5 year warranty
A 5 year warranty is available on Siemens studioLine appliances protecting against any manufacturing, material faults or defects during this warranty period. See our terms and conditions page 362 for further information.



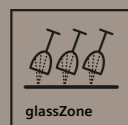


Model shown: SN87TX00CE fully integrated dishwasher with blue emotionLight

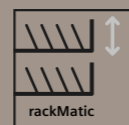
Key dishcare features

All our dishwashers feature glass care technology, they regulate the degree of hardness in the water to help optimise the protection of glasses, as soft water can cause glass corrosion.

The priority zone for gentle and thorough washing of the most valuable glasses.



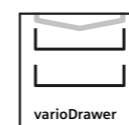
glassZone
Thanks to the glassZone, even the most valuable of glasses can go in the dishwasher with peace of mind. The six integrated nozzles ensure continuous but gentle water supply which enables thorough cleaning without damaging sensitive materials. In addition, integrated soft anti-slip elements give a secure hold, protect against mechanical stress and prevent damage to glass rims.



rackMatic™
Available across all storage solutions, this feature conveniently allows the user to raise and lower the height of the top basket to create more or less space, even when the dishwasher is loaded.



Storage solutions for added flexibility and better results.



varioDrawer
By adding a third shelf for cutlery, varioDrawer removes the need for a cutlery basket and creates more space.



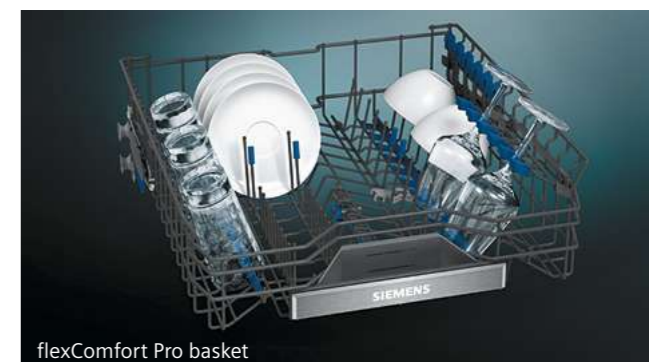
varioFlex basket system
The varioFlex basket has 2 flexible areas in the top rack and 4 in the bottom, providing extra flexibility within the dishwasher to create more space for larger items.



flexComfort basket system
These baskets have the ability to fold down certain compartments within the cavity for extra room – the top rack has 2 areas that can be adjusted for extra flexibility whilst the bottom basket has 8 areas that can be adjusted to create more space so the inside of your dishwasher is constantly adaptable. Anti-slip elements and stemware support hold have also been added, meaning it has never been as easy to load your dishwasher.



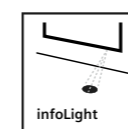
flexComfort Pro basket system
The flexComfort Pro basket system is designed to hold larger plates and allows you to create extra space for pots and pans with ease. Choose from up to 6 flexible areas in the top rack and up to 8 flexible areas in the bottom basket to create extra space. Blue touchpoints inside the baskets indicate all the adjustment options available at a glance, and the easyGlide wheels on the upper basket make loading the dishwasher even easier. Other features such as anti-slip elements and stemware support hold means you can easily and securely load your glassware and get on with your day, chore free.



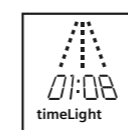


Model shown: SN87TX00CE
fully integrated dishwasher with blue emotionLight

Floor projection displays.



infoLight
Projects a beam of light onto the floor to show the dishwasher is running. This prevents needing to open the door while the cycle is still active to see if it is finished.



timeLight
Useable on any colour surface, the innovative timeLight projects the remaining time and other essential dishwasher cycle information onto the floor, making it easy to check on the cycle status.

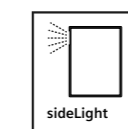
With quiet dishwashers, this solution shows the dishwasher is running and how long is left at a glance, to avoid having to open the door mid-cycle to check.



Light up the dishwasher.



emotionLight
Creating a relaxed ambiance, the emotionLight uses LED lights to reflect off brilliantly-cleaned glasses and create a cool blue glow emanating from inside the dishwasher when the door is open and switching off again when closed.



sideLight
With the sideLight, it is easy to immediately see whether the washing programme is still running. During operation, the blue light strip illuminates the furniture gap on the left hand side of the dishwasher. Only available on selected models.



Added kitchen convenience.



autoOpen dry
Gentle drying thanks to autoOpen dry. During the drying process, the door opens automatically allowing dishes to naturally dry without the need for additional energy.



Silence programme
When the Silence programme is selected the dishwasher's noise level is reduced by 2-3dB. This is achieved by decreasing water pressure and extending run time.

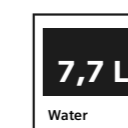


Silence on Demand
If silence is needed during the wash cycle, the dishwasher can be paused for up to 30 minutes by using Silence on Demand with Home Connect. This can be activated via the app or voice control.

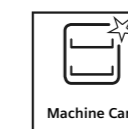


Hygiene Plus
Great for cleaning chopping boards, food containers and utensils. It heats up to extra high temperature in the final rinse for maximum hygiene, regardless of the chosen cycle.*

*Not on delicate programme.



Water consumption
Our built-in dishwashers' lowest water usage programme is 7.7L per cycle* if the Eco 50 programme is selected, for the most resource efficient option.
*Based on SN95ZX61CG



Machine Care with Siemens dishwashers
For excellent results when washing and drying, looking after the dishwasher correctly is important. All of our integrated Siemens dishwashers include the Machine Care Programme.

This programme is designed to be used together with a dishwasher cleaning detergent and provides a short, high temperature, high pressure wash designed to remove limescale and grease build up inside the dishwasher and outlet pipes. The dishwasher will send a reminder every 30 cycles or so to run this programme, to keep the appliance running as efficiently as possible.

Discover
top of the range displays

Multiple choices for display type to suit every need.

Black touch control with TFT display and real-time clock

The clear, high resolution touch controlled TFT display makes it easy to select programmes and settings and check the dishwasher status at a glance. Thanks to the real-time clock, it is now possible to set the exact time the dishes will be ready, for extra convenience. Perfect for delivering warm plates to the dinner table.



Model shown: SN87TX00CE fully integrated dishwasher

Black touch control with LED display

With the same top of the range sleek black touch control panel, it has a clear LED display screen which displays the programme setting and duration time.



Model shown: SN95ZX61CG fully integrated dishwasher

Black / Stainless Steel touch control button and LED display

The two zone design is stylish and functional, with direct button selection and a white LED display, providing clear status information. When a programme and option is selected a blue LED illuminates under the button.



Model shown: SX73HX10VG fully integrated extra height 86.5cm dishwasher

Black push button control with toggle and LED display

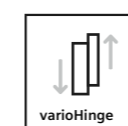
With black buttons, a toggle screen and an LED screen which displays programme settings and duration time, this easy to use interface is practical and stylish.



Model shown: SN61HX03KG fully integrated dishwasher

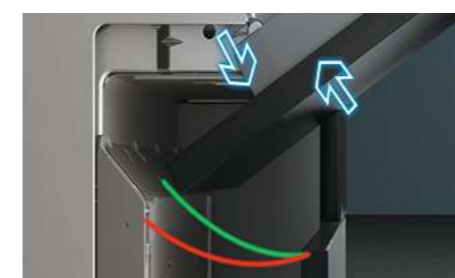
varioHinge. The ideal solution for extra long cabinet doors.

varioHinge enables the furniture panel to slide up the appliance door as it opens, avoiding collision with the plinth.



Siemens has six built-in 60cm dishwasher models – SN97T800CE studioLine, SX97T800CE studioLine, SN95YX02CG, SN95ZX61CG, SN73HX10VG, SX73HX10VG – plus a 45cm dishwasher SR93EX24MG - with varioHinge.

varioHinge ensures flexible dishwasher installation inline with the design of the kitchen. Perfect for cabinet doors in handle-less kitchens, or designs with low baseboards and longer cabinet panels as the varioHinge allows the cabinet door to be pushed upwards when opened to avoid the door catching. The varioHinge reduces the bottom gap between cabinet doors too for a seamless finish to the kitchen. These appliances are suitable for use with a 50mm plinth.



- ✓ Attractive design for high installation thanks to minimal gap size made possible by varioHinge.
- ✓ With varioHinge, a lower plinth height is possible.



Dishwashers with varioHinge – high installation

and seamlessly fitted
varioHinge options

Live in the moment with the help of a smart dishwasher.

There are more important things in life than worrying about washing dishes and replenishing dishwasher tabs. Siemens smart dishwashers provide more efficient results, additional programmes and enhanced control.

There are a number of great features to choose from in the Home Connect app, such as Speed on Demand and Silence on Demand. The app allows the selection of favourite programmes and option combinations to provide the flexibility to alter wash cycle options from anywhere at anytime.

Perfectly tailored dishcare

The Intelligent Programme adapts the dish washing process to individual needs. After the programme is finished, the results and duration can be rated via the Home Connect app. From this, the dishwasher will automatically adapt the settings and offer several alternatives, such as more energy efficient options. It also has the option to monitor water and energy consumption.

Never run out of dishwasher tabs again

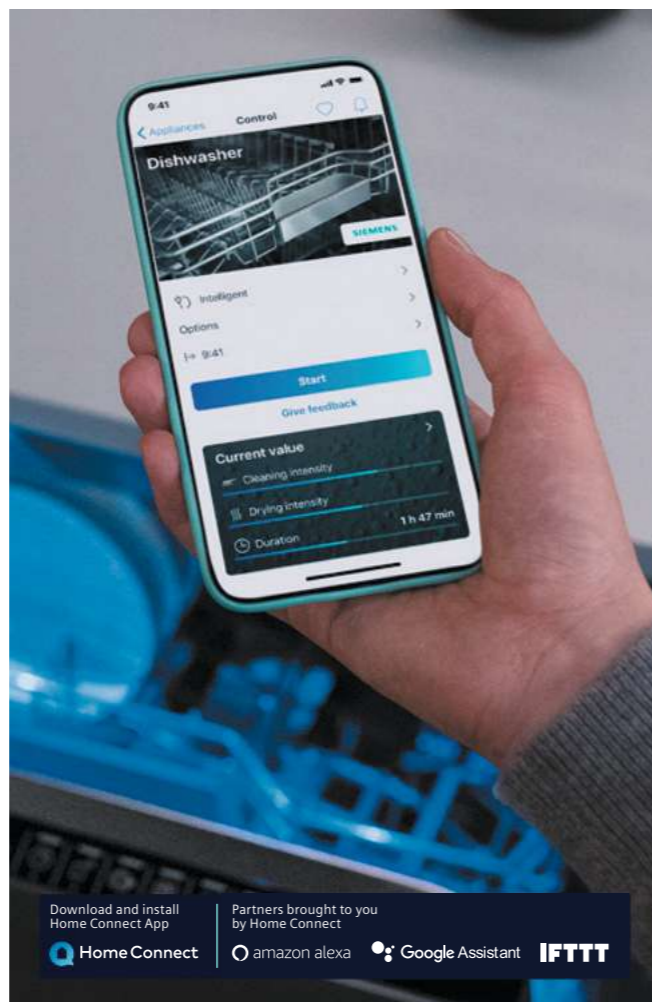
By linking a smart dishwasher with the Smart Finish auto-replenishment service, there will never be a situation where there is no dishwasher tablets again. The Smart Finish service keeps track of tablet stock and will automatically reorder more when it is running low.

Always use the perfect programme

By using the Home Connect app to start a programme, it will be easy to see a detailed description of each programme, as well as energy and water usage indicators. The choice is either pick the best programme for the specific load or let our Programme Assistant help pick the recommended option based on the requirements.

Programme Download

Paired with the Home Connect app Siemens' dishwashers can always be kept up to date with software updates. They can even be personalised by downloading free additional programmes available via the Home Connect app. Whether it is more intense programmes, intelligent programmes or even faster programmes, there are additional programmes – up to 10 depending on the model - available to suit everyone's need. Once downloaded they can also be added to favourites for even quicker access.

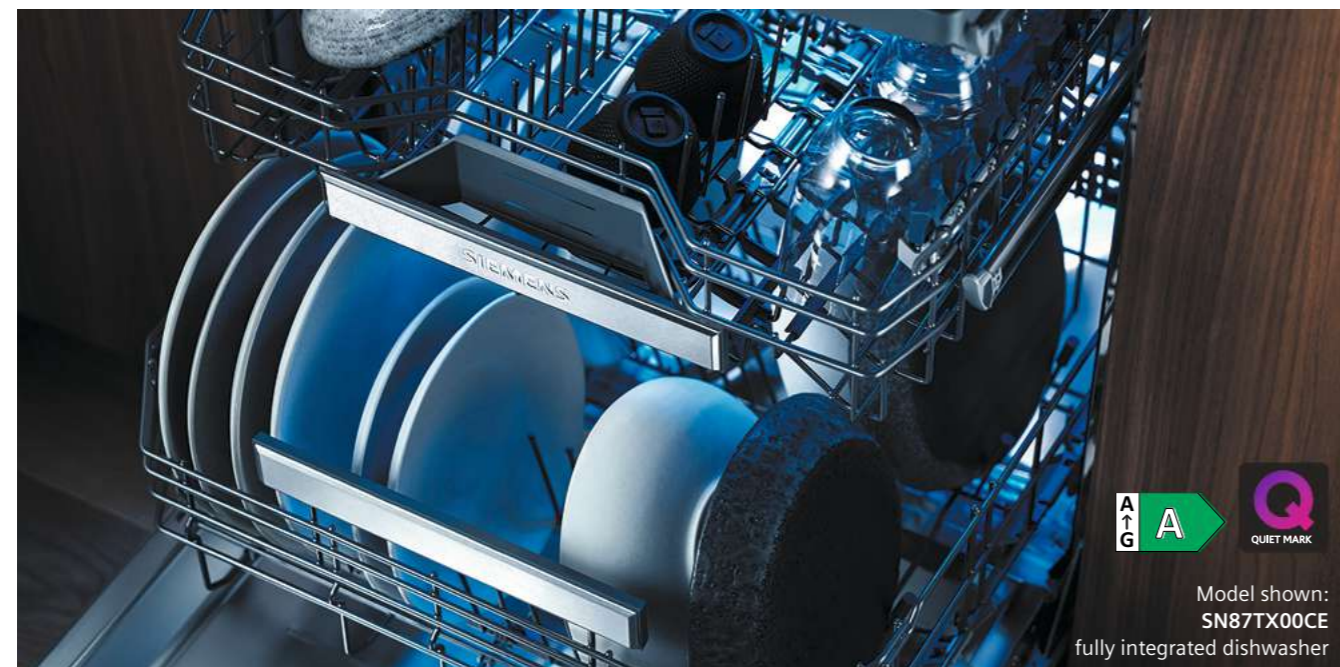


Learn more about Home Connect by visiting Siemens Home UK: www.siemens-home.bsh-group.com/uk

Or scan the QR code to learn more about our smart dishwasher appliances.



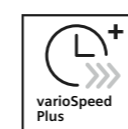
Download and install Home Connect App
Partners brought to you by Home Connect
Home Connect | amazon alexa | Google Assistant | IFTTT



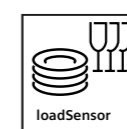
Model shown: SN87TX00CE fully integrated dishwasher



Features available on all built-in dishwasher models.



varioSpeed Plus
Use the varioSpeed Plus button to run the dishwasher significantly faster without compromising on wash quality.



loadSensor
The loadSensor feature helps to ensure that dishes are cleaned thoroughly by ensuring that the optimum amount of water is flowing through the dishes during the cycle.



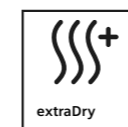
Speed on demand
An advanced functionality of varioSpeed Plus that cleans and dries the dishes in the shortest possible time for individual needs. This option can be selected, even if the programme is running, via the Home Connect App.



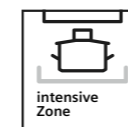
Favourites
The Favourite button makes using the dishwasher even more personal. Simply enter the most used combination of programmes and options, and then start them conveniently at the touch of a button, via the Home Connect app or via a smart watch.



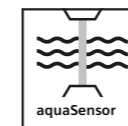
dosageAssist
Quickly and evenly dissolves dishwasher tablets throughout the entire machine, leaving no mess to clean at the end of the cycle. This also prevents the tablet getting stuck in the dishware to ensure no cleaning product residue is left after the cycle.



extraDry
The extraDry option can be added to any programme and will extend the drying cycle. This can be useful for harder to dry loads.



intensiveZone
Delicate items can be cleaned together in the same wash as pots and pans. The intensiveZone increases the spray pressure and temperature in the bottom basket to handle burnt on pans, whilst more delicate items can be washed safely in the top basket.



aquaSensor
Ensures that the optimum temperature is used depending on how dirty the dishes are, so that they are left perfectly clean all year round.



Heat exchanger
Protects glasses from cracking by using gentle water heating. Heat generated during the wash cycle is used to pre-heat the rinsing water to stop glasses being put under stress.

A modern handleless kitchen.












openAssist
With door openAssist, fully integrated dishwashers can be opened by touching the front of the unit to make loading and unloading easy. This removes the need for a handle and is the ideal choice for designer kitchens. With this feature, it is also possible to implement a child lock so that the appliance requires two gentle touches before opening.







Dishwasher product overview

Fully integrated dishwasher range

Display type	studioLine 60cm dishwasher	studioLine 60cm dishwasher	60cm dishwasher	60cm dishwasher	60cm dishwasher
	81.5cm width	86.5cm width	81.5cm width	81.5cm width	81.5cm width
	varioHinge	varioHinge	varioHinge	varioHinge	varioHinge
 Touch control + TFT	 <p>SN97T800CE Black</p> <ul style="list-style-type: none"> 14 place settings 9.5 litres varioDrawer Zeolith autoOpen dry flexComfort Pro sideLight (Blue) door openAssist glassZone emotionLight Pro 	 <p>SX97T800CE Black</p> <ul style="list-style-type: none"> 14 place settings 9.5 litres varioDrawer Zeolith autoOpen dry flexComfort Pro sideLight (Blue) door openAssist glassZone emotionLight Pro 			
 Touch control + LED			 <p>SN95YX02CG Black</p> <ul style="list-style-type: none"> 14 place settings 9.5 litres varioDrawer Zeolith autoOpen dry flexComfort sideLight (Blue) door openAssist glassZone 	 <p>SN95ZX61CG Black</p> <ul style="list-style-type: none"> 13 place settings 7.7 litres varioDrawer Zeolith flexComfort sideLight (Blue) door openAssist glassZone 	
 Push buttons + LED					 <p>SN73HX10VG Black / Stainless Steel</p> <ul style="list-style-type: none"> 14 place settings 9 litres varioDrawer varioFlex infoLight (Blue) Polinox
 Toggle control + LED					

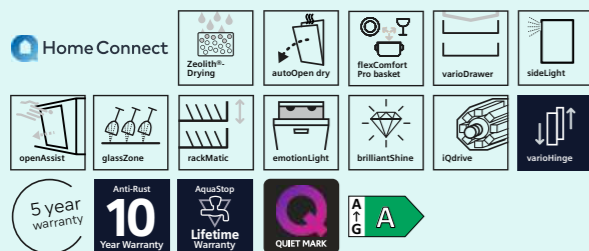
Home Connect

60cm dishwasher	45cm dishwasher	60cm dishwasher	60cm dishwasher	60cm dishwasher	60cm dishwasher	60cm dishwasher
86.5cm width	81.5cm width	81.5cm width	81.5cm width	81.5cm width	81.5cm width	81.5cm width
varioHinge	varioHinge	Fixed hinge	Fixed hinge	Fixed hinge	Fixed hinge	Fixed hinge
		 <p>SN87TX00CE Black</p> <ul style="list-style-type: none"> 14 place settings 9.5 litres varioDrawer Zeolith autoOpen dry flexComfort Pro timeLight (White) door openAssist glassZone 				
				 <p>SN85EX07CG Black</p> <ul style="list-style-type: none"> 14 place settings 9 litres varioDrawer autoOpen dry flexComfort timeLight (White) door openAssist glassZone 		
	 <p>SX73HX10VG Black / Stainless Steel</p> <ul style="list-style-type: none"> 14 place settings 9 litres varioDrawer varioFlex infoLight (Blue) Polinox 	 <p>SR93EX24MG Black / Stainless Steel</p> <ul style="list-style-type: none"> 10 place settings 8.9 litres varioDrawer varioFlex infoLight (Blue) autoOpen dry door openAssist 				
				 <p>SN61HX03KG Black</p> <ul style="list-style-type: none"> 13 place settings 9 litres varioFlex infoLight (blue) 	 <p>SN61HX02TG Black</p> <ul style="list-style-type: none"> (available July 2024) 13 place settings 9 litres vario infoLight (blue) Polinox 	 <p>SN61IX12TG Black</p> <ul style="list-style-type: none"> (disc Dec 2024) 12 place settings 10.5 litres vario infoLight (blue) Polinox

studioLine 60cm dishwashers

iQ 700 SX97T800CE

60cm fully integrated dishwasher



studioLine 60cm fully integrated dishwasher specifications

APPLIANCE TYPE	60CM FULLY INTEGRATED DISHWASHER
Design family	iQ 700
Model number	SX97T800CE
Control panel colour	Black
Height (cm) / Hinge type	86.5 / varioHinge
DESIGN FEATURES	
Drying system	Zeolith / autoOpen dry
Home Connect Wi-Fi connectivity	■
Control panel type	Touch control + TFT
Basket description	flexComfort Pro
varioDrawer (3rd loading level)	varioDrawer
Status indicator	sideLight (Blue)
Door openAssist	■
glassZone	■
Glass care technology	■
Anti-slip protection / stemware support upper basket	■ / ■
Adjustable upper basket	rackMatic™ 3-stage
Number of flip tines in upper / lower basket	6 / 8
Cup shelves upper / lower baskets	2 / 2
Cutlery holder lower basket	-
Largest loadable dish upper / lower basket (cm)	23 / 33
aquaSensor	■
Real-time clock	■
Start delay time max hours	24
Emotion light (interior lighting)	emotionLight Pro
End of cycle indicator	Acoustic
Salt / Rinse aid light indicator	■ / ■
Self cleaning filter system	■
Flood protection system	AquaStop 24h
Safety features	Door lock
PROGRAMMES / FUNCTIONS	
List of programmes	Intelligent 40°C, Eco 50°C, Auto 45-65°C, Intensive 70°C, Speed 60°C, brilliantShine 40°C, Silence 50°C, Favourite, Machine Care
Additional operational options	Remote Start, Shine & Dry, intensiveZone, Hygiene Plus, varioSpeed Plus
TECHNICAL INFORMATION	
Reference programme for measurements	Eco 50°C
Energy efficiency class ¹	A
Energy ² / water ³ (kWh / litres)	54 / 9.5
Load capacity (place settings)	14
Programme duration ⁴ (h:min)	4:55
Noise level (dB [A] re 1pW)	43
Noise efficiency class	B
Noise level (silence programme) (dB [A] re 1pW)	41
Length of electrical supply cord (cm)	175
Length inlet / outlet hose (cm)	165 / 190
Maximum height for installation (mm)	925
Maximum height adjustability feet (mm)	60
Maximum width for installation (mm)	600
Height of the product (mm)	865
Width / Depth of the product (mm)	598 / 550
Net weight / Gross weight (kg)	45 / 47
Water softener ⁵	■
Maximum accepted water hardness (°DH)	50
Maximum temperature for water intake (°C)	60
Interior cavity	Stainless steel
Included accessories	Steam protection plate, decorative strips (stainless steel)

■ Yes, model has this feature. – Feature not available for this model.

¹ On an energy-efficiency class scale from A to G.

² Energy consumption in kWh/100 operating cycles (using Eco programme).

³ Water consumption in litres/operating cycle (using Eco programme).

⁴ Duration of Eco programme.

⁵ We would recommend our dishwashers are connected to the mains water supply where possible. However, they may also be connected to an external water softener as long as the water softener produces softened water of less than 1.1 mmol/litre (7.0°e) and the water softener in the appliance is turned off. Please contact product advice for further information. Water pressure required: 0.5-10 Bar. Flow rate: 10 litres per minute. Inlet valve connected directly to 3/4" screwed joint.

Data valid in this table as of April 2024. Subject to modification without prior notice.



studioLine 60cm fully integrated dishwasher specifications

APPLIANCE TYPE	60CM FULLY INTEGRATED DISHWASHER
Design family	iQ 700
Model number	SN97T800CE
Control panel colour	Black
Height (cm) / Hinge type	81.5 / varioHinge
DESIGN FEATURES	
Drying system	Zeolith / autoOpen dry
Home Connect Wi-Fi connectivity	■
Control panel type	Touch control + TFT
Basket description	flexComfort Pro
varioDrawer (3rd loading level)	varioDrawer
Status indicator	sideLight (Blue)
Door openAssist	■
glassZone	■
Glass care technology	■
Anti-slip protection / stemware support upper basket	■ / ■
Adjustable upper basket	rackMatic™ 3-stage
Number of flip tines in upper / lower basket	6 / 8
Cup shelves upper / lower baskets	2 / 2
Cutlery holder lower basket	-
Largest loadable dish upper / lower basket (cm)	21 / 30
aquaSensor	■
Real-time clock	■
Start delay time max hours	24
Emotion light (interior lighting)	emotionLight Pro
End of cycle indicator	Acoustic
Salt / Rinse aid light indicator	■ / ■
Self cleaning filter system	■
Flood protection system	AquaStop 24h
Safety features	Door lock
PROGRAMMES / FUNCTIONS	
List of programmes	Intelligent 40°C, Eco 50°C, Auto 45-65°C, Intensive 70°C, Speed 60°C, brilliantShine 40°C, Silence 50°C, Favourite, Machine Care
Additional operational options	Remote Start, Shine & Dry, intensiveZone, Hygiene Plus, varioSpeed Plus
TECHNICAL INFORMATION	
Reference programme for measurements	Eco 50°C
Energy efficiency class ¹	A
Energy ² / water ³ (kWh / litres)	54 / 9.5
Load capacity (place settings)	14
Programme duration ⁴ (h:min)	4:55
Noise level (dB [A] re 1pW)	43
Noise efficiency class	B
Noise level (silence programme) (dB [A] re 1pW)	41
Length of electrical supply cord (cm)	175
Length inlet / outlet hose (cm)	165 / 190
Maximum height for installation (mm)	875
Maximum height adjustability feet (mm)	60
Maximum width for installation (mm)	600
Height of the product (mm)	815
Width / Depth of the product (mm)	598 / 550
Net weight / Gross weight (kg)	44 / 46
Water softener ⁵	■
Maximum accepted water hardness (°DH)	50
Maximum temperature for water intake (°C)	60
Interior cavity	Stainless steel
Included accessories	Steam protection plate, decorative strips (stainless steel)

■ Yes, model has this feature. – Feature not available for this model.

¹ On an energy-efficiency class scale from A to G.

² Energy consumption in kWh/100 operating cycles (using Eco programme).

³ Water consumption in litres/operating cycle (using Eco programme).

⁴ Duration of Eco programme.

⁵ We would recommend our dishwashers are connected to the mains water supply where possible. However, they may also be connected to an external water softener as long as the water softener produces softened water of less than 1.1 mmol/litre (7.0°e) and the water softener in the appliance is turned off. Please contact product advice for further information. Water pressure required: 0.5-10 Bar. Flow rate: 10 litres per minute. Inlet valve connected directly to 3/4" screwed joint.

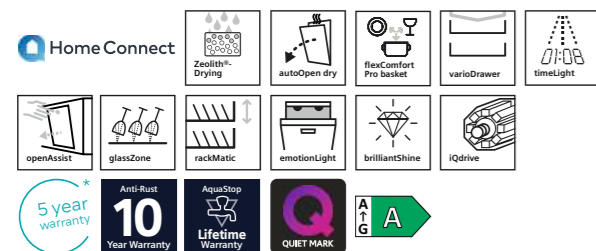
Data valid in this table as of April 2024. Subject to modification without prior notice.



60cm dishwashers

iQ 700 SN87TX00CE

60cm fully integrated dishwasher



flexComfort Pro basket system

flexComfort Pro baskets create extra room for pots and pans. With an optimised lower basket design for large plates and adjustable sides highlighted with blue touchpoints, the dishwasher can adapt to any load quickly and easily.

varioDrawer included

Selected models include a varioDrawer, providing a third loading level for cutlery and removing the need for a cutlery basket. This creates more room for large pots and pans below and includes space for small items such as ladles and espresso cups.

60cm fully integrated dishwasher specifications

APPLIANCE TYPE	60CM FULLY INTEGRATED DISHWASHER
Design family	iQ 700
Model number	SN87TX00CE
Control panel colour	Black
Height (cm) / Hinge type	81.5 / Fixed
DESIGN FEATURES	
Drying system	Zeolith / autoOpen dry
Home Connect Wi-Fi connectivity	■
Control panel type	Touch control + TFT
Basket description	flexComfort Pro
varioDrawer (3rd loading level)	varioDrawer
Status indicator	timeLight (White)
Door openAssist	■
glassZone	■
Glass care technology	■
Anti-slip protection / stemware support upper basket	■ / ■
Adjustable upper basket	rackMatic™ 3-stage
Number of flip tines in upper / lower basket	6 / 8
Cup shelves upper / lower baskets	2 / 2
Cutlery holder lower basket	-
Largest loadable dish upper / lower basket (cm)	21 / 30
aquaSensor	■
Real-time clock	■
Start delay time max hours	24
Emotion light (interior lighting)	■
End of cycle indicator	Acoustic
Salt / Rinse aid light indicator	■ / ■
Self cleaning filter system	■
Flood protection system	AquaStop 24h
Safety features	Door lock
PROGRAMMES / FUNCTIONS	
List of programmes	Intelligent 40°C, Eco 50°C, Auto 45-65°C, Intensive 70°C, Speed 60°C, brilliantShine 40°C, Silence 50°C, Favourite, Machine Care
Additional operational options	Remote Start, Shine & Dry, intensiveZone, Hygiene Plus, varioSpeed Plus
TECHNICAL INFORMATION	
Reference programme for measurements	Eco 50°C
Energy efficiency class ¹	A
Energy ² / water ³ (kWh / litres)	54 / 9.5
Load capacity (place settings)	14
Programme duration ⁴ (h:min)	4:55
Noise level (dB [A] re 1pW)	43
Noise efficiency class	B
Noise level (silence programme) (dB [A] re 1pW)	41
Length of electrical supply cord (cm)	175
Length inlet / outlet hose (cm)	165 / 190
Maximum height for installation (mm)	875
Maximum height adjustability feet (mm)	60
Maximum width for installation (mm)	600
Height of the product (mm)	815
Width / Depth of the product (mm)	598 / 550
Net weight / Gross weight (kg)	43 / 45
Water softener ⁵	■
Maximum accepted water hardness (°DH)	50
Maximum temperature for water intake (°C)	60
Interior cavity	Stainless steel
Included accessories	Steam protection plate

■ Yes, model has this feature. – Feature not available for this model.

¹ On an energy-efficiency class scale from A to G.

² Energy consumption in kWh/100 operating cycles (using Eco programme).

³ Water consumption in litres/operating cycle (using Eco programme).

⁴ Duration of Eco programme.

⁵ We would recommend our dishwashers are connected to the mains water supply where possible. However, they may also be connected to an external water softener as long as the water softener produces softened water of less than 1.1 mmol/litre (7.0°e) and the water softener in the appliance is turned off. Please contact product advice for further information. Water pressure required: 0.5-10 Bar. Flow rate: 10 litres per minute. Inlet valve connected directly to 3/8" screwed joint.

Data valid in this table as of April 2024. Subject to modification without prior notice.
*5 year warranty - Offer dates: 01.04.24 – 31.03.25. T&C's apply. Online registration required.



60cm fully integrated dishwasher specifications

APPLIANCE TYPE	60CM FULLY INTEGRATED DISHWASHERS			
Design family	iQ 500	iQ 500	iQ 500	iQ 300
Model number	SN95YX02CG	SN95ZX61CG	SN85EX07CG	SK73HX10VG
Control panel colour	Black	Black	Black	Black / Stainless Steel
Height (cm) / Hinge type	81.5 / varioHinge	81.5 / varioHinge	81.5 / Fixed	86.5 / varioHinge
DESIGN FEATURES				
Drying system	Zeolith / autoOpen dry	Zeolith	autoOpen dry / Heat exchanger	Heat exchanger
Home Connect Wi-Fi connectivity	■	■	■	■
Control panel type	Touch control + LED	Touch control + LED	Touch control + LED	Push buttons + LED
Basket description	flexComfort	flexComfort	flexComfort	varioFlex
varioDrawer (3rd loading level)	varioDrawer	varioDrawer	varioDrawer	varioDrawer
Status indicator	sideLight (Blue)	sideLight (Blue)	timeLight (White)	infoLight (Blue)
Door openAssist	■	■	■	-
glassZone	■	■	■	-
Glass care technology	■	■	■	■
Anti-slip protection / stemware support upper basket	■ / ■	■ / ■	■ / ■	- / -
Adjustable upper basket	rackMatic™ 3-stage	rackMatic™ 3-stage	rackMatic™ 3-stage	rackMatic™ 3-stage
Number of flip tines in upper / lower basket	2 / 8	2 / 8	2 / 8	2 / 4
Cup shelves upper / lower baskets	2 / 2	2 / 2	2 / 2	2 / -
Cutlery holder lower basket	-	-	-	-
Largest loadable dish upper / lower basket (cm)	21 / 30	21 / 30	21 / 30	21 / 30
aquaSensor	■	■	■	■
Real-time clock	-	-	-	-
Start delay time max hours	24	24	24	24
Emotion light (interior lighting)	■	■	■	-
End of cycle indicator	Acoustic	Acoustic	Acoustic	Acoustic
Salt / Rinse aid light indicator	■ / ■	■ / ■	■ / ■	■ / ■
Self cleaning filter system	■	■	■	■
Flood protection system	AquaStop 24h	AquaStop 24h	AquaStop 24h	AquaStop 24h
Safety features	Door lock	Door lock	Door lock	Door lock
PROGRAMMES / FUNCTIONS				
List of programmes	Intelligent 40°C, Eco 50°C, Auto 45-65°C, Eco 50°C, Speed 60°C, brilliantShine 40°C, Silence 50°C, Favourite, Machine Care	Eco 50°C, Auto 45-65°C, Intensive 70°C, Speed 60°C, Speed 45°C, brilliantShine 40°C, Silence 50°C, Favourite, Machine Care	Eco 50°C, Auto 45-65°C, Intensive 70°C, Speed 65°C, Speed 45°C, Glass 40°C, Silence 50°C, Favourite, Machine Care	Eco 50°C, Auto 45-65°C, Intensive 70°C, Speed 65°C, Speed 45°C, Favourite, Machine Care
Additional operational options	Remote Start, Shine & Dry, intensiveZone, varioSpeed Plus	Remote Start, Shine & Dry, intensiveZone, varioSpeed Plus	Remote Start, intensiveZone, Half Load, varioSpeed Plus	Remote Start, intensiveZone, Half Load, varioSpeed Plus
TECHNICAL INFORMATION				
Reference programme for measurements	Eco 50°C	Eco 50°C	Eco 50°C	Eco 50°C
Energy efficiency class ¹	A	C	B	D
Energy ² / water ³ (kWh / litres)	54 / 9.5	74 / 7.7	65 / 9	84 / 9
Load capacity (place settings)	14	13	14	14
Programme duration ⁴ (h:min)	4:55	3:45	3:35	3:45
Noise level (dB [A] re 1pW)	44	44	42	46
Noise efficiency class	B	B	B	B
Noise level (silence programme) (dB [A] re 1pW)	43	42	41	-
Length of electrical supply cord (cm)	175	175	175	175
Length inlet / outlet hose (cm)	165 / 190	165 / 190	165 / 190	165 / 190
Maximum height for installation (mm)	875	875	875	925
Maximum height adjustability feet (mm)	60	60	60	60
Maximum width for installation (mm)	600	600	600	600
Height of the product (mm)	815	815	815	865
Width / Depth of the product (mm)	598 / 550	598 / 550	598 / 550	598 / 550
Net weight / Gross weight (kg)	47 / 49	44 / 46	39 / 41	35 / 39
Water softener ⁵	■	■	■	■
Maximum accepted water hardness (°DH)	50	50	50	50
Maximum temperature for water intake (°C)	60	60	60	60
Interior cavity	Stainless steel	Stainless steel	Stainless steel	Stainless steel/Polinox
Included accessories	Steam protection plate	Steam protection plate	Steam protection plate	Steam protection plate

■ Yes, model has this feature. – Feature not available for this model.

¹ On an energy-efficiency class scale from A to G.

² Energy consumption in kWh/100 operating cycles (using Eco programme).

³ Water consumption in litres/operating cycle (using Eco programme).

⁴ Duration of Eco programme.

⁵ We would recommend our dishwashers are connected to the mains water supply where possible. However, they may also be connected to an external water softener as long as the water softener produces softened water of less than 1.1 mmol/litre (7.0°e) and the water softener in the appliance is turned off. Please contact product advice for further information. Water pressure required: 0.5-10 Bar. Flow rate: 10 litres per minute. Inlet valve connected directly to 3/8" screwed joint.

Data valid in this table as of April 2024. Subject to modification without prior notice.
*5 year warranty - Offer dates: 01.04.24 – 31.03.25. T&C's apply. Online registration required.

60cm fully integrated dishwasher specifications

APPLIANCE TYPE	60CM FULLY INTEGRATED DISHWASHERS			
Design family	iQ300	iQ100	iQ100	iQ100
Model number	SN73HX10VG	SN61HX03KG	SN61HX02TG	SN61HX12TG
Control panel colour	Black / Stainless Steel	Black	Black	Black
Height (cm) / Hinge type	81.5 / varioHinge	81.5 / Fixed	81.5 / Fixed	81.5 / Fixed
Availability			From July 2024	Discontinues December 2024
DESIGN FEATURES				
Drying system	Heat exchanger	Heat exchanger	Heat exchanger	Inherent heat
Home Connect Wi-Fi connectivity	■	■	■	■
Control panel type	Push buttons + LED	Toggle control + LED	Toggle control + LED	Toggle control + LED
Basket description	varioFlex	varioFlex	vario	vario
varioDrawer (3rd loading level)	varioDrawer	-	-	-
Status indicator	infoLight (Blue)	infoLight (Blue)	infoLight (Blue)	infoLight (Blue)
Door openAssist	-	-	-	-
glassZone	-	-	-	-
Glass care technology	■	■	■	■
Anti-slip protection / stemware support upper basket	- / -	- / -	- / -	- / -
Adjustable upper basket	rackMatic™ 3-stage	rackMatic™ 3-stage	Adjustable when empty	Adjustable when empty
Number of flip tines in upper / lower basket	2 / 4	2 / 4	- / 2	- / 2
Cup shelves upper / lower baskets	2 / -	2 / -	2 / -	2 / -
Cutlery holder lower basket	-	■	■	■
Largest loadable dish upper / lower basket (cm)	21 / 30	27 / 30	27 / 30	27 / 30
aquaSensor	■	■	■	■
Real-time clock	-	-	-	-
Start delay time max hours	24	9	9	9
Emotion light (interior lighting)	-	-	-	-
End of cycle indicator	Acoustic	Acoustic	Acoustic	Acoustic
Salt / Rinse aid light indicator	■ / ■	■ / ■	■ / ■	■ / ■
Self cleaning filter system	■	■	■	■
Flood protection system	AquaStop 24h	AquaStop 24h	AquaStop 24h	AquaStop 24h
Safety features	Door lock	Door lock	Door lock	Door lock
PROGRAMMES / FUNCTIONS				
List of programmes	Eco 50°C, Auto 45-65°C, Intensive 70°C, Speed 65°C, Speed 45°C, Favourite, Machine Care	Eco 50°C, Auto 45-65°C, Intensive 70°C, Speed 65°C, Favourite, Machine Care	Eco 50°C, Auto 45-65°C, Intensive 70°C, Speed 65°C, Favourite, Machine Care	Eco 50°C, Auto 45-65°C, Intensive 70°C, Speed 65°C, Favourite, Machine Care
Additional operational options	Remote Start, intensiveZone, Half Load, varioSpeed Plus	Remote Start, intensiveZone, Half Load, varioSpeed Plus	Remote Start, intensiveZone, Half Load, varioSpeed Plus	Remote Start, intensiveZone, Half Load, varioSpeed Plus
TECHNICAL INFORMATION				
Reference programme for measurements	Eco 50°C	Eco 50°C	Eco 50°C	Eco 50°C
Energy efficiency class ¹	A D	A D	A D	A C
Energy ² / water ³ (kWh / litres)	85 / 9	84 / 9	84 / 9	92 / 10.5
Load capacity (place settings)	14	13	13	12
Programme duration ⁴ (h:min)	4:30	4:30	4:30	4:30
Noise level (dB [A] re 1pW)	46	42	46	48
Noise efficiency class	C	B	C	C
Noise level (silence programme) (dB [A] re 1pW)	-	-	-	-
Length of electrical supply cord (cm)	175	175	175	175
Length inlet / outlet hose (cm)	165 / 190	165 / 190	165 / 190	165 / 190
Maximum height for installation (mm)	875	875	875	875
Maximum height adjustability feet (mm)	60	60	60	60
Maximum width for installation (mm)	600	600	600	600
Height of the product (mm)	815	815	815	815
Width / Depth of the product (mm)	598 / 550	598 / 550	598 / 550	598 / 550
Net weight / Gross weight (kg)	35 / 39	31 / 34	30 / 33	31 / 33
Water softener ⁵	■	■	■	■
Maximum accepted water hardness (°DH)	50	50	50	35
Maximum temperature for water intake (°C)	60	60	60	60
Interior cavity	Stainless steel / Polinox	Stainless steel	Stainless steel/Polinox	Stainless steel/Polinox
Included accessories	Steam protection plate	Steam protection plate	Steam protection plate	Steam protection plate

■ Yes, model has this feature. - Feature not available for this model.

¹ On an energy-efficiency class scale from A to G.

² Energy consumption in kWh/100 operating cycles (using Eco programme).

³ Water consumption in litres/operating cycle (using Eco programme).

⁴ Duration of Eco programme.

⁵ We would recommend our dishwashers are connected to the mains water supply where possible. However, they may also be connected to an external water softener as long as the water softener produces softened water of less than 1.1 mmol/litre (7.0°e) and the water softener in the appliance is turned off. Please contact product advice for further information.

Water pressure required: 0.5-10 Bar. Flow rate: 10 litres per minute. Inlet valve connected directly to 3/4" screwed joint.

Data valid in this table as of April 2024. Subject to modification without prior notice.

*5 year warranty - Offer dates: 01.04.24 - 31.03.25. T&Cs apply. Online registration required.

45cm slimline dishwasher

iQ300 SR93EX24MG

45cm slimline fully integrated dishwasher



Slimline

Slimline dishwashers are perfect for kitchens with limited space. Despite the reduced size, they still benefit from exciting features such as door openAssist and speed programmes.

Our 45cm dishwasher has a two tone design with features including varioHinge, Home Connect, Speed on demand (via Home Connect app) and the Favourite programme (can set programme and option choice as favourite via the Home Connect app).

Speed on demand

The programme be sped up at any time during the wash cycle, even if the programme has started unlike, varioSpeed+ (this would need to be selected before the start of the programme). Speed on Demand can be activated using the Home Connect app.

45cm slimline fully integrated dishwasher specifications

APPLIANCE TYPE	45CM FULLY INTEGRATED DISHWASHER
Design family	iQ300
Model number	SR93EX24MG
Control panel colour	Black / Stainless Steel
Height (cm) / Hinge type	81.5 / varioHinge
DESIGN FEATURES	
Drying system	Heat exchanger / autoOpen dry
Home Connect Wi-Fi connectivity	■
Control panel type	Push buttons + LED
Basket description	varioFlex
varioDrawer (3rd loading level)	varioDrawer
Status indicator	infoLight (Blue)
Door openAssist	■
glassZone	-
Glass care technology	■ / -
Anti-slip protection / stemware support upper basket	■ / -
Adjustable upper basket	rackMatic™ 3-stage
Number of flip tines in upper / lower basket	2 / 2
Cup shelves upper / lower baskets	1 / 1
Cutlery holder lower basket	-
Largest loadable dish upper* / lower basket (cm)	21 / 30
aquaSensor	■
Real-time clock	-
Start delay time max hours	24
Emotion light (interior lighting)	-
End of cycle indicator	Acoustic
Salt / Rinse aid light indicator	■ / ■
Self cleaning filter system	■
Flood protection system	AquaStop 24h
Safety features	Door lock
PROGRAMMES / FUNCTIONS	
List of programmes	Eco 50°C, Auto 45-65°C, Intensive 70°C, Speed 65°C, Speed 45°C, Favourite, Machine Care
Additional operational options	Remote Start, intensiveZone, Hygiene Plus, varioSpeed Plus
TECHNICAL INFORMATION	
Reference programme for measurements	Eco 50 °C
Energy efficiency class ¹	A C
Energy ² / water ³ (kWh / litres)	59 / 8.9
Load capacity (place settings)	10
Programme duration ⁴ (h:min)	3:15
Noise level (dB [A] re 1pW)	44
Noise efficiency class	B
Noise level (silence programme) (dB [A] re 1pW)	-
Length of electrical supply cord (cm)	175
Length inlet / outlet hose (cm)	165 / 205
Maximum height for installation (mm)	875
Maximum height adjustability feet (mm)	60
Maximum width for installation (mm)	450
Height of the product (mm)	815
Width / Depth of the product (mm)	448 / 550
Net weight / Gross weight (kg)	32 / 34
Water softener ⁵	■
Maximum accepted water hardness (°DH)	50
Maximum temperature for water intake (°C)	60
Interior cavity	Stainless steel
Included accessories	Steam protection plate

■ Yes, model has this feature. - Feature not available for this model.

¹ On an energy-efficiency class scale from A to G.

² Energy consumption in kWh/100 operating cycles (using Eco programme).

³ Water consumption in litres/operating cycle (using Eco programme).

⁴ Duration of Eco programme.

⁵ We would recommend our dishwashers are connected to the mains water supply where possible. However, they may also be connected to an external water softener as long as the water softener produces softened water of less than 1.1 mmol/litre (7.0°e) and the water softener in the appliance is turned off. Please contact product advice for further information. Water pressure required: 0.5-10 Bar. Flow rate: 10 litres per minute. Inlet valve connected directly to 3/4" screwed joint.

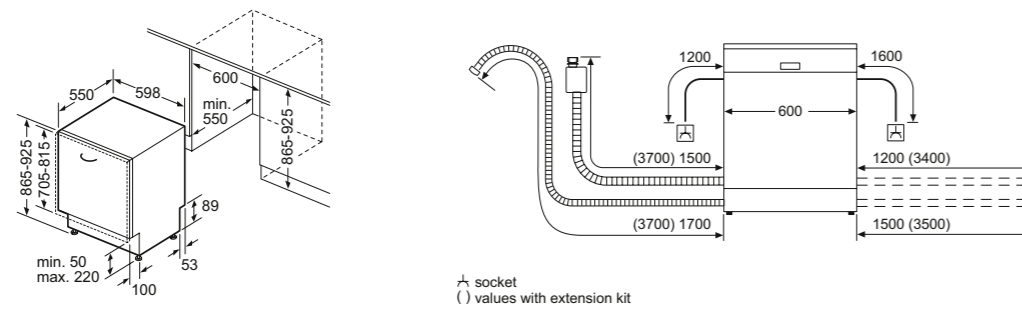
*Largest loadable dish height in upper basket will be smaller when varioDrawer is installed.

Data valid in this table as of April 2024. Subject to modification without prior notice.

*5 year warranty - Offer dates: 01.04.24 - 31.03.25. T&Cs apply. Online registration required.

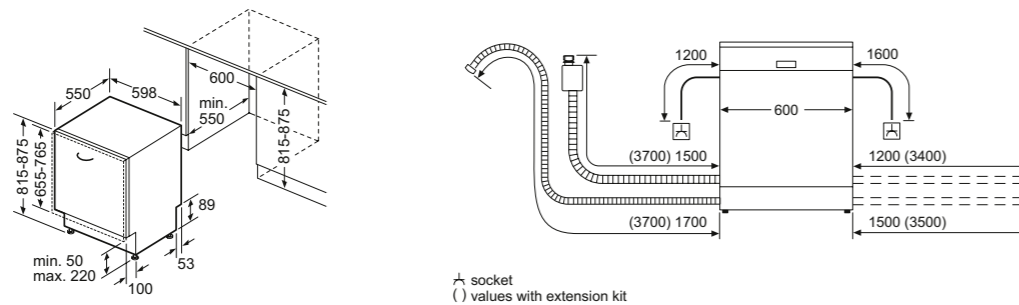
Dishwasher technical diagrams

studioLine fully integrated dishwasher SX97T800CE



socket
() values with extension kit

studioLine fully integrated dishwasher SN97T800CE

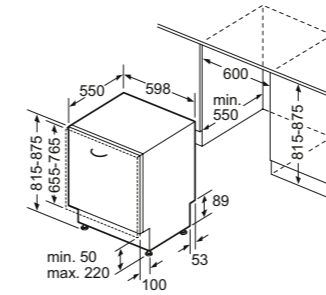


socket
() values with extension kit

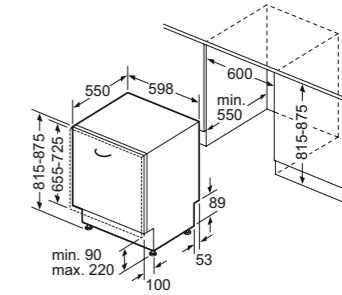
Fully integrated dishwasher accessories

		SN97T800CE	SX97T800CE
Decorative strips stainless steel 81,5cm	SZ30BI01	■	
Decorative strips stainless steel 86,5cm	SZ30BI11		■
Connection rail for divided furniture	SZ38BI00	■	■
Inlet and outlet hose extension 2m	SZ72010	■	■
Silver polishing cassette	SZ73001	■	■
Panel strips, elevated installation 81.5cm	SZ73035	■	■
Panel strips, elevated installation 86.5cm	SZ73045	■	■
Adjustable cutlery basket – full size dishwashers	SZ73100	■	■
Wine glass holder accessory (Glass secure tray)	SZ73300	■	■
Rack insert for stemware dishwasher	SZ73640	■	■

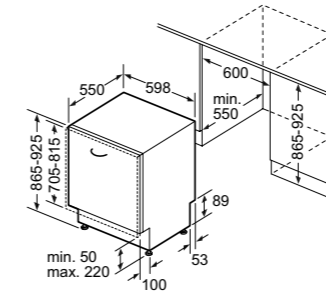
Fully integrated dishwashers SN95YX02CG, SN95ZX61CG, SN73HX10VG



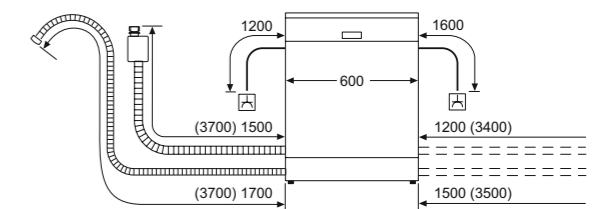
Fully integrated dishwashers SN87TX00CE, SN85EX07CG, SN61HX03KG, SN61HX02TG and SN61IX12TG



Fully integrated dishwasher SX73HX10VG

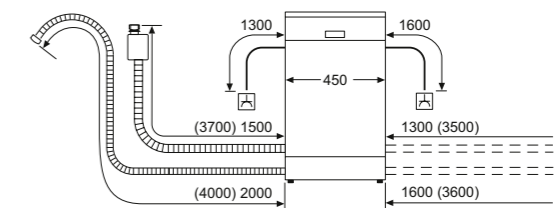
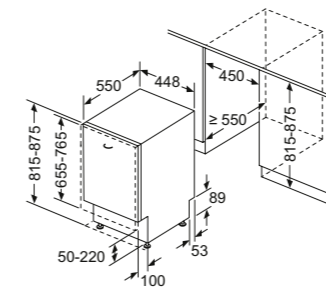


For all 60CM dishwashers



socket
() values with extension kit

45cm fully integrated dishwasher SR93EX24MG



socket
() values with extension kit

Fully integrated dishwasher accessories

		SN87TX00CE	SN95YX02CG	SN95ZX61CG	SN85EX07CG	SX73HX10VG	SN73HX10VG	SN61HX03KG	SN61HX02TG	SN61IX12TG	SR93EX24MG
Aqua stop extension	SZ72010	■	■	■	■	■	■	■	■	■	■
Silver polishing cassette	SZ73001	■									
Split door furniture front connection rails – For fullsize and slimline models	SZ38BI00	■	■	■	■	■	■	■	■	■	■
Decor strip - For full size Polinox base models, 81.5cm height	SZ30BI02						■	■	■	■	■
Decor strip - For full size and slimline Stainless Steel base models, 81.5cm height	SZ30BI01	■	■	■	■		■				
Decor strip - For full size Stainless Steel base models, 86.5cm height	SZ30BI11										
Decor strip - For full size Stainless Steel base models installed off the ground, 81.5cm height	SZ73035	■	■	■	■						
Decor strip - For full size Stainless Steel base models installed off the ground, 86.5cm height	SZ73045										
Door attachment – brushed steel	SZ73056	■			■				■	■	
Drop hinge for tall cabinets	SZ73010	■			■				■	■	
Adjustable cutlery basket - full size dishwashers	SZ73100	■	■	■	■	■	■	■	■	■	
Adjustable cutlery basket - slimline dishwashers	SZ73145										■
Wine glass holder accessory (Glass secure tray)	SZ73300	■	■	■	■	■	■	■	■	■	■
Rack insert for stemware dishwasher	SZ73640	■	■	■	■	■	■	■	■	■	■

Cutting-edge innovations for extra shine

Siemens freestanding dishwashers take full advantage of the latest technologies.

Designed to fit in around busy lifestyles, our standard 60cm freestanding dishwashers feature efficient, time saving and environmentally conscious programmes, sure to make dishes shine. With a sleek and stylish design, both inside and out, Siemens dishwashers are designed to complement the home.



Freestanding
Dishwashers

Siemens freestanding dishwasher warranties:



5 year warranty

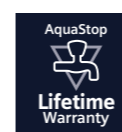
A five year warranty is available on all freestanding dishwasher models listed in this brochure to protect against manufacturing and material faults during this warranty period.

Offer dates: 01.04.24 – 31.03.25. Online registration required. For full T&Cs and qualifying appliances visit [siemens-home.bsh-group.com/uk/customer-service/siemens-warranties](https://www.siemens-home.bsh-group.com/uk/customer-service/siemens-warranties)



10 Year Anti-Rust Warranty

All Siemens dishwashers purchased from the 1st January 2012 onwards have a 10 Year Anti-Rust Warranty to protect against rust in the inner cavity of the appliance.



Lifetime AquaStop Warranty

All Siemens freestanding dishwashers listed in this brochure have a lifetime AquaStop warranty to protect against water damage caused by a defective AquaStop system.

To find out more about warranty and for registration, please visit: [siemens-home.bsh-group.com/uk/customer-service/siemens-warranties](https://www.siemens-home.bsh-group.com/uk/customer-service/siemens-warranties)

Dishwashing key features

Welcome to a new era of dishwashing with brilliantShine.



Our new 60cm dishwashers feature the brilliantShine programme – a one touch solution that combines the Glass 40°C programme and the Shine & Dry option to ensure glassware is always left sparkling clean.

Straight from dishwasher to table, Shine & Dry provides streak-free, shining glasses. Harnessing the power of Zeolith® at its best, the special drying cycle also works just as well on plastics, pots and pans, saving time as there is no longer a need to give them an extra towel dry. The brilliantShine programme with Zeolith® Drying produces sparkling glasses to be proud of, keeping glassware ready to shine for any guests, even unexpected ones.

There are three factors in dishwashing that influence the shine of glassware: temperature, cycle time, and the use of detergent. The new brilliantShine programme offers three intelligent solutions that take care of these factors:

- Zeolith® drying uses a Zeolite mineral that absorbs moisture and converts it into a gentle heat.
- The Shine & Dry option swills all residues of detergent with extra rinsing water, resulting in streak-free, shining glassware.
- The Glass 40°C programme ensures that glassware is not exposed to excessive temperatures or spray pressures, and keeps the cycle time shorter.

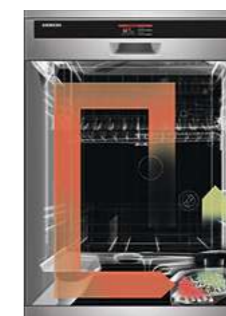
Zeolith®: Super efficient drying technology.



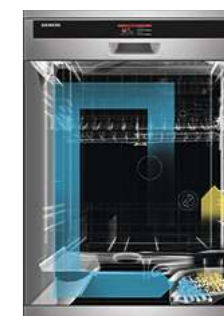
Using advanced drying technologies, Siemens dishwashers keep energy consumption to a minimum. Zeolith®, a form of zeolite mineral, has the astonishing ability to absorb moisture and convert it to heat. The heat produced naturally by the Zeolith® is used for the drying cycle. No additional energy is therefore required to heat up the contents of the dishwasher for the drying process (as with a standard drying system). This leads to excellent drying results, with less energy usage than models without Zeolith® technology.

Zeolith® is stored in the depths of the dishwasher. It regenerates itself and keeps working for the lifetime of the machine, so it never needs replacing. Combine this with the economy 50°C programme to get brilliant results with minimal energy.

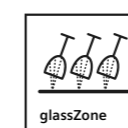
Drying phase
Zeolith® absorbs moisture and converts it to heat energy.



Cleaning phase
As the mineral is heated during the cleaning cycle, it is recharged and ready to absorb moisture once more.



The new priority zone for gentle and thorough washing of the most valuable glasses.



glassZone
With glassZone, even the most valuable of glasses can go in the dishwasher with peace of mind. The six integrated nozzles ensure continuous but gentle water supply to enable thorough cleaning without damaging sensitive materials. In addition, integrated soft anti-slip elements give a secure hold to protect against mechanical stress and prevent damage to glass rims.





Dishwashing key features

The Home Connect app helps take minds off the household chores.

By connecting the dishwasher to the Home Connect App, programmes and options can be easily selected to start the dishwasher from wherever and whenever. The app enables out of home appliance control so dishes can be ready exactly when needed – which is perfect for busy lifestyles. When the cycle has finished, the Home Connect App will send a push notification to say so.

There are a number of great features which can be selected through the Home Connect app, such as Speed on Demand, Silence on Demand and autoOpen Dry. It is also possible to set a Favourite programme and alter the wash cycle options from anywhere.

easyStart menu

The easyStart feature on the Home Connect app helps with finding the correct setting for the load quickly and easily. By answering a few simple questions, the app will suggest the optimum programme for the load. It is easy to adjust the dishwasher settings via the app on a smartphone or tablet to keep it running at maximum efficiency.

Home Connect partner Services

It is also possible to use our partner services, such as Amazon Alexa, Google Assistant and IFTTT to manage the dishwasher. With Amazon Alexa, the appliance can be controlled via voice – just ask Alexa.

To keep on top of dishwasher tablet stock, automatic tablet replenish can be used through Smart Reorder within the Amazon Alexa app. The feature is easy to set up and saves having to worry about running out of tablets again.

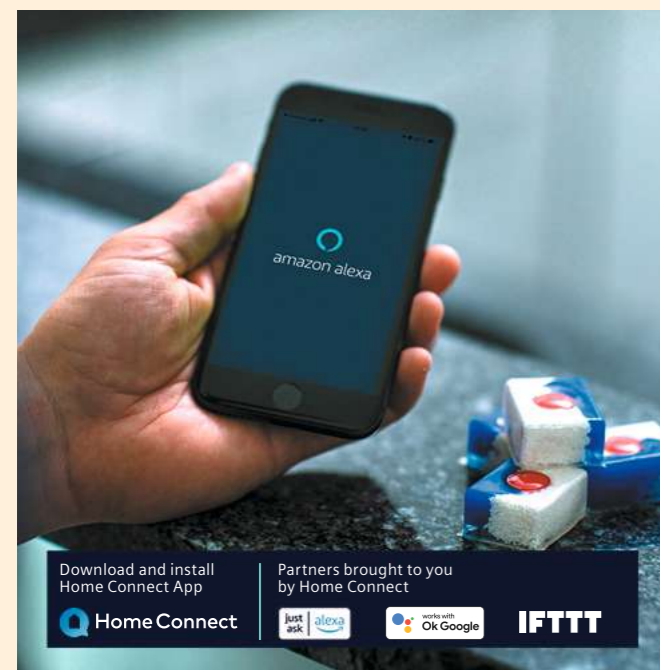
Setting the water settings has never been easier too. Whether the area experiences hard or soft water, it can be easily set within the app in seconds.

IFTTT technology enables the integration of the Home Connect App with a wider array of connected devices. With customised applets, it is even easier to bring a smart home to life. For example, the lights can be set to flash when the dishwasher cycle finishes.

Programme Download

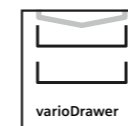
Paired with the Home Connect app Siemens' dishwashers can always be kept up to date with software updates. They can even be personalised by downloading free additional programmes available via the Home Connect app. Whether it is more intense programmes, intelligent programmes or even faster programmes, there are additional programmes – up to 10 depending on the model - available to suit everyone's need. Once downloaded they can also be added to favourites for even quicker access.

Learn more about Home Connect by visiting Siemens Home UK: www.siemens-home.bsh-group.com/uk



Download and install Home Connect App
Partners brought to you by Home Connect
Home Connect | alexa | Ok Google | IFTTT

Basket systems for added flexibility and better results.



varioDrawer

By adding a third shelf for cutlery, varioDrawer removes the need for a cutlery basket and creates more space.



varioFlex basket system

The varioFlex basket has 2 flexible areas in the top rack and 4 in the bottom, providing extra flexibility within the dishwasher to create more space for those larger items.



flexComfort basket system

These baskets have the ability to fold down certain compartments within the cavity for extra room. The top rack has 2 areas that can be adjusted for extra flexibility. The bottom basket has 8 areas that can be adjusted to create more space so the inside of the dishwasher is constantly adaptable. Anti-slip elements and stemware support hold have also been added, meaning it has never been as easy to load the dishwasher.



flexComfort Pro basket system

The flexComfort Pro basket system is designed to hold larger plates and allows easy creation of space for pots and pans. Choose from up to 6 flexible areas in the top rack and up to 8 flexible areas in the bottom basket to create extra space. Blue touchpoints inside the baskets indicate all the adjustment options available at a glance, and the easyGlide wheels on the upper basket make loading the dishwasher even easier. Other new features such as anti-slip elements and stemware support hold means it is easy to securely load glassware.



varioDrawer



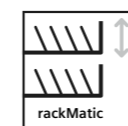
varioFlex basket



flexComfort basket



flexComfort Pro basket



rackMatic™ 3-stage

Available across all storage solutions, this feature conveniently allows the user to raise and lower the height of the top basket to create more or less space, even when the dishwasher is loaded.



Let the dishwasher do the work, with the automatic programme sensor.



auto 45°-65° Automatic programme

Doing the dishes is now easier than ever before with sensor technology included in every one of our dishwashing appliances. From soiled pots and pans to delicate plates – every item gets the right care and treatment.

For example, the autoProgramme sensor gives brilliant results at the push of a button. As soon as the autoProgramme is activated, the aqua sensor automatically measures the cloudiness of the water to precisely adapt the amount and temperature of water needed for optimal cleaning. The sensor controls the entire washing and drying process and automatically adjusts water consumption, water temperature and cycle time to suit each load. The sensor control unit steers the whole washing and drying process to deliver brilliant results every time.

Model shown left: SN27T100CE 60cm freestanding dishwasher

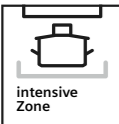



Enhanced performance and sparkling results


Model shown: SN25Z107CE
60cm dishwasher

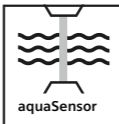



Standard features on all freestanding models.


- 


intensiveZone
Delicate items and pots and pans can be cleaned together in the same wash. The intensiveZone option increases the spray pressure and temperature in the bottom basket to handle burnt on pans, whilst delicate items can be washed safely in the top basket.
- 


Favourite
The Favourite button makes the dishwasher even more personal. By entering the most used combination of dishwashing programmes and options, they can be conveniently started at the touch of a button, via the Home Connect app or via the Alexa voice assistant.
- 


Silence programme
When the Silence programme is selected the dishwashers noise level is reduced by 2-3dB. This is achieved by decreasing water pressure and extending run time.
- 

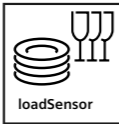
aquaSensor
Makes sure that the optimum temperature is used depending on how dirty the dishes are, meaning that dishes are perfectly clean the first time round.
- 


Silence on demand
With the Home Connect App, it is possible to pause the dishwasher for up to 30 minutes by selecting Silence on Demand via the Home Connect App if silence is needed during the washing cycle.
- 

Heat exchanger
Protect glasses from cracking with gentle water heating. Heat generated during the wash cycle is used to pre-heat the rinsing water to stop glasses being put under stress.
- 

varioSpeed Plus
Use the varioSpeed Plus button to run the dishwasher significantly faster without compromising on wash quality.
- 

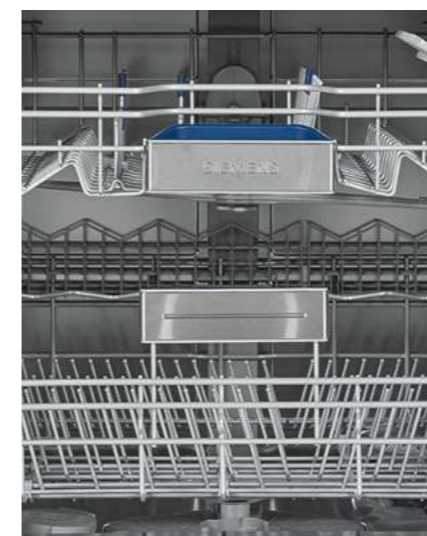
extraDry
The extraDry option can be added to any programme and will extend the drying cycle. This can be useful for harder to dry loads.
- 

Speed on demand
An advanced functionality of varioSpeed Plus that cleans and dries the dishes in the shortest possible time for individual needs. This option can be activated, even when a programme is already running, within the Home Connect app.
- 

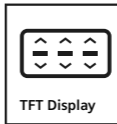
loadSensor
By monitoring that the optimum amount of water is flowing through the dishwasher throughout the cycle, the loadSensor helps to ensure that dishes are cleaned thoroughly.
- 


dosageAssist
Quickly and evenly dissolves dishwasher tablets throughout the entire machine, leaving no mess to clean at the end of the cycle.

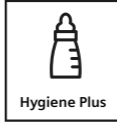
Highlight features, available on selected freestanding models.




Machine Care with Siemens dishwashers
For excellent results when washing and drying, it is important that the dishwasher is looked after correctly. All of our freestanding Siemens dishwashers include the Machine Care Programme. This is designed to be used together with a dishwasher cleaning detergent and provides a short, high temperature, high pressure wash designed to remove limescale and grease build up inside the dishwasher and outlet pipes. The dishwasher will send a reminder every 30 cycles or so to run this programme, to keep the appliance running as efficiently as possible.

- 

TFT display with real-time clock
The clear, touch control high resolution TFT display makes it easy to select programmes and settings and check the status of the dishwasher at a glance. Thanks to the real-time clock, it is now possible to set the exact time the dishes will be ready by, for extra convenience. Perfect for delivering warm plates to the dinner table.
- 

autoOpen dry
Gentle drying thanks to autoOpen dry. During the drying process, the door opens automatically and gently. This allows the natural drying of the dishes without the need for additional energy.
- 






Hygiene Plus
The Hygiene Plus setting is ideal for chopping boards and food containers. It heats up to extra high temperature in the final rinse for maximum hygiene.
- 

emotionLight
The emotionLight uses LED lights to create a cool blue glow emanating from inside your dishwasher.



Dishwasher product overview

Freestanding 60cm dishwasher range

Display type	60cm dishwasher	60cm dishwasher
 <p>Top edge touch control + TFT</p>	 <p>iQ 700 SN27T100CE Stainless steel antiFingerprint</p> <ul style="list-style-type: none"> • 14 place settings • 9.5 litres water consumption • varioDrawer • autoOpen dry • flexComfort Pro • Zeolith • glassZone 	
 <p>Touch control + LED</p>		 <p>iQ 500 SN25Z107CE Stainless steel antiFingerprint</p> <ul style="list-style-type: none"> • 14 place settings • 9 litres water consumption • varioDrawer • flexComfort • Zeolith • glassZone
 <p>Push buttons + LED</p>		

Home Connect

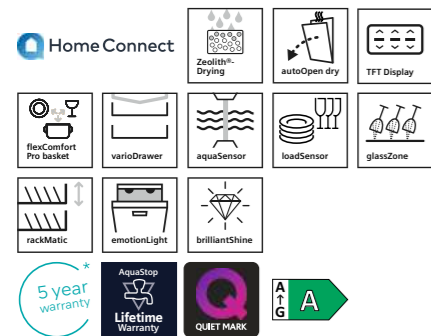
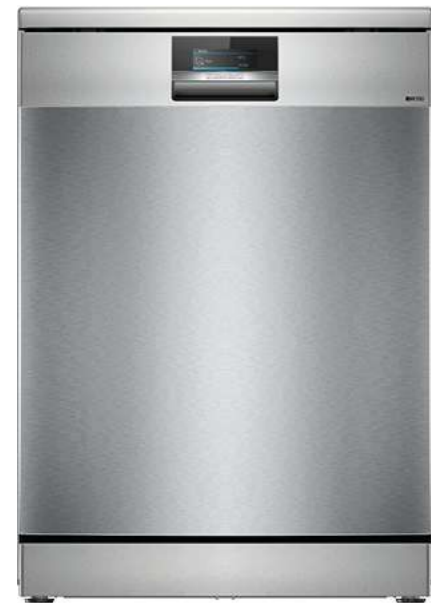
60cm dishwasher	60cm dishwasher	60cm dishwasher
 <p>iQ 300 SN23EC03ME Black steel antiFingerprint</p> <ul style="list-style-type: none"> • 14 place settings • 9 litres water consumption • varioDrawer • autoOpen dry • varioFlex 	 <p>iQ 300 SN23EI03ME Stainless steel antiFingerprint</p> <ul style="list-style-type: none"> • 14 place settings • 9 litres water consumption • varioDrawer • autoOpen dry • varioFlex 	 <p>iQ 300 SN23EW03ME White</p> <ul style="list-style-type: none"> • 14 place settings • 9 litres water consumption • varioDrawer • autoOpen dry • varioFlex

60cm dishwashers

iQ 700 SN27T100CE

60cm freestanding dishwasher
Stainless steel antiFingerprint

600mm



60cm freestanding dishwasher
specifications

APPLIANCE TYPE	60CM FREESTANDING DISHWASHER
Design family	iQ 700
Model number	SN27T100CE
Colour	Stainless steel
DESIGN FEATURES	
Drying system	Zeolith / autoOpen dry
Home Connect Wi-Fi connectivity	■
Control panel type	Top edge touch control + TFT
Basket description	flexComfort Pro
varioDrawer (3rd loading level)	■
glassZone	■
Glass care technology	■
Anti-slip protection / stemware support upper basket	■ / ■
Adjustable upper basket	rackMatic™ 3-stage
Number of flip tines in upper / lower basket	6 / 8
Cup shelves upper / lower baskets	2 / 2
Cutlery holder lower basket	-
Largest loadable dish upper / lower basket (cm)	21 / 30
aquaSensor	■
Real-time clock	■
Start delay time max hours	24
Time remaining indicator	■
Emotion light (interior lighting)	■
End of cycle indicator	Acoustic
Salt / Rinse aid light indicator	■ / ■
Self cleaning filter system	■
Flood protection system	AquaStop 24h
Safety features	Door lock
PROGRAMMES / FUNCTIONS	
List of programmes	Intelligent 40°C, Eco 50°C, Auto 45-65°C, Intensive 70°C, Speed 60°C, brilliantShine 40°C, Silence 50°C, Favourite, Machine Care
Additional special options	Remote Start, Shine & Dry, intensiveZone, Hygiene Plus, varioSpeed Plus
TECHNICAL INFORMATION	
Reference programme for measurements	Eco 50°C
Energy efficiency class ¹	
Energy ² / water ³ (kWh / litres)	54 / 19.5
Load capacity (place settings)	14
Programme duration ⁴ (h:min)	4:55
Noise level (dB [A] re 1pW)	44
Noise efficiency class	B
Noise level (silence programme) (dB [A] re 1pW)	42
Maximum height adjustability feet (mm)	2
Depth with open door 90 degree (cm)	115.5
Length of electrical supply cord (cm)	175
Length inlet / outlet hose (cm)	165 / 190
Height of the product with removable top (cm)	84.5
Height of the product without removable top (cm)	81.5
Width / Depth of the product (cm)	60 / 60
Net weight / Gross weight (kg)	54 / 56
Water softener ⁵	■
Maximum accepted water hardness (°DH)	50
Maximum temperature for water intake (°C)	60
Interior cavity	Stainless steel

■ Yes, model has this feature. – Feature not available for this model.

¹ On an energy-efficiency class scale from A to G.

² Energy consumption in kWh/100 operating cycles (using Eco programme).

³ Water consumption in litres/operating cycle (using Eco programme).

⁴ Duration of Eco programme.

⁵ We would recommend our dishwashers are connected to the mains water supply where possible. However, they may also be connected to an external water softener as long as the water softener produces softened water of less than 1.1 mmol/litre (7.0°e) and the water softener in the appliance is turned off. Please contact product advice for further information. Water pressure required: 0.5-10 Bar. Flow rate: 10 litres per minute. Inlet valve connected directly to ¾" screwed joint.

Data valid in this table as of April 2024. Subject to modification without prior notice.

*5 year warranty - Offer dates: 01.04.24 – 31.03.25. T&C's apply. Online registration required.



60cm freestanding dishwasher
specifications

APPLIANCE TYPE	60CM FREESTANDING DISHWASHERS			
Design family	iQ 500	iQ 300	iQ 300	iQ 300
Model number	SN25Z107CE	SN23EC03ME	SN23E103ME	SN23E103ME
Colour	Stainless steel	Black steel	Stainless steel	White
DESIGN FEATURES				
Drying system	Zeolith	autoOpen dry / Heat exchanger	autoOpen dry / Heat exchanger	autoOpen dry / Heat exchanger
Home Connect Wi-Fi connectivity	■	■	■	■
Control panel type	Touch control + LED	Push buttons + LED	Push buttons + LED	Push buttons + LED
Basket description	flexComfort	varioFlex	varioFlex	varioFlex
varioDrawer (3rd loading level)	■	■	■	■
glassZone	■	-	-	-
Glass care technology	■	■	■	■
Anti-slip protection / stemware support upper basket	■ / ■	- / -	- / -	- / -
Adjustable upper basket	rackMatic™ 3-stage	rackMatic™ 3-stage	rackMatic™ 3-stage	rackMatic™ 3-stage
Number of flip tines in upper / lower basket	2 / 8	2 / 4	2 / 4	2 / 4
Cup shelves upper / lower baskets	2 / 2	2 / -	2 / -	2 / -
Cutlery holder lower basket	-	-	-	-
Largest loadable dish upper / lower basket (cm)	21 / 30	21 / 30	21 / 30	21 / 30
aquaSensor	■	■	■	■
Real-time clock	-	-	-	-
Start delay time max hours	24	24	24	24
Time remaining indicator	■	■	■	■
Emotion light (interior lighting)	■	-	-	-
End of cycle indicator	-	-	-	-
Salt / Rinse aid light indicator	■ / ■	■ / ■	■ / ■	■ / ■
Self cleaning filter system	■	■	■	■
Flood protection system	AquaStop 24h	AquaStop 24h	AquaStop 24h	AquaStop 24h
Safety features	Control panel lock, door lock	Control panel lock, door lock	Control panel lock, door lock	Control panel lock, door lock
PROGRAMMES / FUNCTIONS				
List of programmes	Eco 50°C, Auto 45-65°C, Intensive 70°C, Speed 60°C, Speed 45°C, brilliantShine 40°C, Silence 50°C, Favourite, Machine Care	Eco 50°C, Auto 45-65°C, Intensive 70°C, Speed 65°C, Speed 45°C, Favourite, Machine Care	Eco 50°C, Auto 45-65°C, Intensive 70°C, Speed 65°C, Speed 45°C, Favourite, Machine Care	Eco 50°C, Auto 45-65°C, Intensive 70°C, Speed 65°C, Speed 45°C, Favourite, Machine Care
Additional special options	Remote Start, Shine & Dry, intensiveZone, varioSpeed Plus	Remote Start, intensiveZone, Half Load, varioSpeed Plus	Remote Start, intensiveZone, Half Load, varioSpeed Plus	Remote Start, intensiveZone, Half Load, varioSpeed Plus
TECHNICAL INFORMATION				
Reference programme for measurements	Eco 50°C	Eco 50°C	Eco 50°C	Eco 50°C
Energy efficiency class ¹				
Energy ² / water ³ (kWh / litres)	65 / 9	65 / 9	65 / 9	65 / 9
Load capacity (place settings)	14	14	14	14
Programme duration ⁴ (h:min)	3:35	3:35	3:35	3:35
Noise level (dB [A] re 1pW)	40	42	42	42
Noise efficiency class	B	B	B	B
Noise level (silence programme) (dB [A] re 1pW)	39	-	-	-
Maximum height adjustability feet (mm)	2	2	2	2
Depth with open door 90 degree (cm)	115.5	115.5	115.5	115.5
Length of electrical supply cord (cm)	175	175	175	175
Length inlet / outlet hose (cm)	165 / 190	165 / 190	165 / 190	165 / 190
Height of the product with removable top (cm)	84.5	84.5	84.5	84.5
Height of the product without removable top (cm)	81.5	81.5	81.5	81.5
Width / Depth of the product (cm)	60 / 60	60 / 60	60 / 60	60 / 60
Net weight / Gross weight (kg)	55 / 56	52 / 54	52 / 54	52 / 54
Water softener ⁵	■	■	■	■
Maximum accepted water hardness (°DH)	50	50	50	50
Maximum temperature for water intake (°C)	60	60	60	60
Interior cavity	Stainless steel	Stainless steel	Stainless steel	Stainless steel

■ Yes, model has this feature. – Feature not available for this model.

¹ On an energy-efficiency class scale from A to G.

² Energy consumption in kWh/100 operating cycles (using Eco programme).

³ Water consumption in litres/operating cycle (using Eco programme).

⁴ Duration of Eco programme.

⁵ We would recommend our dishwashers are connected to the mains water supply where possible. However, they may also be connected to an external water softener as long as the water softener produces softened water of less than 1.1 mmol/litre (7.0°e) and the water softener in the appliance is turned off. Please contact product advice for further information. Water pressure required: 0.5-10 Bar. Flow rate: 10 litres per minute. Inlet valve connected directly to ¾" screwed joint.

Data valid in this table as of April 2024. Subject to modification without prior notice.

*5 year warranty - Offer dates: 01.04.24 – 31.03.25. T&C's apply. Online registration required.

Laundry care, high performance with state-of-the-art technology

Siemens' built-in laundry range is intelligently designed and quietly efficient to make laundry easier and less of a chore.

Our machines are the perfect blend of cutting-edge technology and innovative design. Siemens built-in washing machines and washer dryers seamlessly integrate into any space - and with a focus on efficiency and convenience, they quietly deliver beautifully clean clothes.



Built-in
Laundry appliances

Siemens home laundry warranties:



5 year warranty

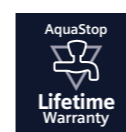
A five year warranty is available on the built-in washing machine listed in this brochure to protect against manufacturing and material faults during this warranty period.

Offer dates: 01.04.24 – 31.03.25. Online registration required. For full T&Cs and qualifying appliances visit siemens-home.bsh-group.com/uk/customer-service/siemens-warranties



2 year warranty

A two year warranty is available on all Siemens built-in washer dryers listed in this brochure to protect against manufacturing and material faults during this warranty period.



AquaStop Lifetime Warranty

Selected Siemens laundry appliances have a lifetime AquaStop warranty to protect against water damage caused by a defective AquaStop system. For models with this warranty please check the matrix.



iQdrive® Motor 10 Year Warranty

The iQdrive® Motor Warranty is available on selected laundry machines to protect against any defects to the iQdrive® motor. For models with this warranty please check the laundry matrix.

To find out more about warranty and for registration, please visit: siemens-home.bsh-group.com/uk/customer-service/siemens-warranties

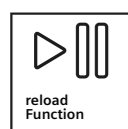
Laundry care key features



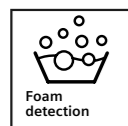
Our laundry appliances are designed to make laundry easier and less of a chore. They can be neatly concealed behind the door, maintaining clean lines and modern aesthetics. With a range of key features, doing laundry has never been more convenient.



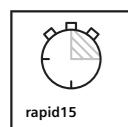
Model shown above: **WI14W502GB**



reload
The reload function is the perfect solution when an extra item needs to be added to the load. Once the icon is displayed, the washing machine can be paused and extra items can easily be added in.



Foam detection
Detects if too much foam has been created in the wash, if so, it will adjust the drum movement and add an extra rinse cycle if necessary.



rapid15
Washes, rinses and spins lightly soiled clothing in just 15 minutes. Designed for those with busy lifestyles.

Extremely quiet washing machines
Thanks to the brushless iQdrive motor and antiVibration side panels, Siemens built-in washing machines are particularly quiet in their class.

Extremely quiet washer dryers
Our washer dryers are designed to be as quiet as possible while still offering excellent performance and results when washing and drying.



Wool programme
An exceptionally gentle woollen hand wash programme. The drum is set to provide a cradle motion, with only an occasional rotation, giving a soft wash action. A special spin phase finishes the cycle.



Shirts/Blouses
The ideal programme for a week's worth of shirts, offering a reduced spin to reduce ironing. Suitable for up to 2kg worth of washing, this cycle is designed to run for just over an hour.



Mixed fabrics
Perfect for the mid-week wash of a mixture of cottons, and hard-wearing or easy-care fabrics. Load up to 4kg worth of garments with a running time of just 49 minutes.



Delicates/silk
This gentle programme is perfect for those delicate, washable fabrics, e.g. silk, satin, synthetics or blended fabrics (e.g. curtains). Cool temperatures, gentle spinning between the rinse cycles, and reduced final spin speeds reduce creases dramatically.

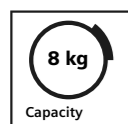


Model shown: **WI14W502GB**

The complete laundry solution with features that fit around any lifestyle

Features specific to integrated washing machines.

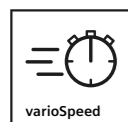
Check model for available functions.



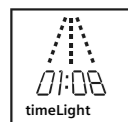
Capacity
The large 8kg drum capacity is the perfect size to hold more laundry and reduce the number of loads to wash.



Drum Clean
An automatic alert after 20 washes to run the Drum Clean programme on a 90°C or 60°C wash keeps the appliance clean and odour free.



varioSpeed
This feature can automatically detect when time can be saved. The smart sensor identifies load volume and textile kind, to adapt the washing machine's programme time efficiently to suit the specific load, delivering perfectly clean laundry in up to 55% less time.



timeLight
Stay in control. The timeLight projects the remaining cycle time and programme status onto any floor surface to keep the consumer informed at a glance, and is visible without opening the cabinet door.

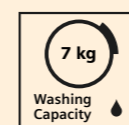


Model shown: WI14W502GB



Features specific to integrated washer dryers.

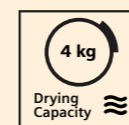
Check model for available functions.



Washing capacity
The large 7kg washing capacity ensures clothes can be washed with fewer loads.



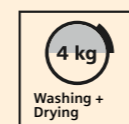
ActiveWater™
Helps to reduce water consumption thanks to a 2-step automatic load adjustment system.



Drying capacity
The 4kg drying capacity ensures clothes can be dried effectively.



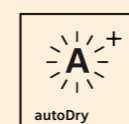
Fluff removal programme
A ten minute fluff removal cycle on washer dryers that removes fluff deposits in the machine. A light indicates when this is needed.



Washing + Drying
The continuous washing and drying cycle is suitable for loads up to 4kg. This cycle will first wash clothes on the chosen setting and once finished, will automatically switch to drying the clothes for ease and speed.



Outdoor
Specialised programme for washing waterproof clothing with membrane technology to protect the fabric and seams. For use with outdoor fabric detergent.

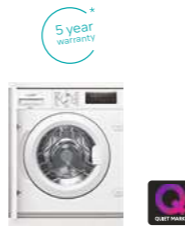
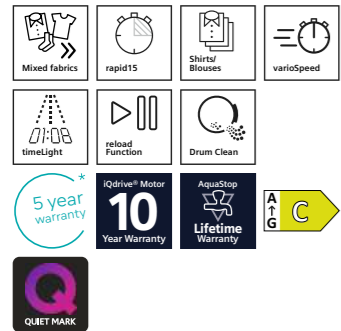


autoDry
Gently dries laundry to the exact degree of dryness desired.

Washing machines

iQ 700 WI14W502GB

Built-in washing machine
White 1400rpm spin speed



Integrated washing machine specifications

APPLIANCE TYPE	BUILT-IN WASHING MACHINE
Design family	iQ 700
Model number	WI14W502GB
PROGRAMMES / FUNCTIONS	
Standard Washing Programmes	
Eco 40-60	■
Cottons	■
Easy-care programme	■
Wool programme	■
Delicates/silk	■
Mixed fabrics	■
Additional Programmes	
rapid15/rapid30 ¹	■
rapid60	■
Outdoor (waterproofing)	■
Shirts/blouses	■
Duvet	■
Dark Wash	■
Hygiene 60°C	■
Reduced noise wash	■
Spin/Drain	■
Rinse	■
Options	
Extra rinse	■
Prewash	■
Variable temperature	■
Variable spin	■
varioSpeed	■
ADDITIONAL FEATURES	
timeLight	■
iQDrive®	■
AquaStop	■
reload	■
Foam detection	■
Drum Clean	■
PERFORMANCE & CONSUMPTION	
Energy efficiency class ¹	A++
Load capacity (kg)	1 - 8
Energy ² / Water ³ (kWh / litres)	62 / 45
Programme duration ⁴ (h:mm)	3:26
Maximum spin speed (rpm) ⁵	1400
Spin efficiency class	B
Noise level (dB [A] re 1pW)	66
Noise emission class	A
Drum volume (litres)	55
TECHNICAL INFORMATION	
Dimensions of the product: H x W x D (inc. hinge and 19mm door) (mm)	818 x 596 x 544 (574)
Door opening angle	130°
Depth with door open 90° (mm)	956
Height adjustable by (mm)	12
Length of electrical supply cord (mm)	2100
Length of supply hose / drain hose (mm)	220 / 220
Door hinge (door porthole)	Left-hand
Cabinet colour	White
OPTIONAL ACCESSORY FOR WASHING MACHINE	
Floor securing component	WX975600

■ Yes, model has this feature. – Feature not available for this model.

¹ On an energy-efficiency class scale from A to G. ² Energy consumption in kWh/100 operating cycles (using Eco 40-60 programme). ³ Water consumption in litres/operating cycle (using Eco 40-60 programme). ⁴ Duration of Eco 40-60 programme. ⁵ The specified value is rounded.

Data valid in this table as of April 2024. Subject to modification without prior notice.
⁶ 5 year warranty - Offer dates: 01.04.24 – 31.03.25. T&C's apply. Online registration required.

Washer dryers

iQ 500 WK14D543GB

Built-in washer dryer
White 1400rpm spin speed



Integrated washer dryer specifications

APPLIANCE TYPE	BUILT-IN WASHER DRYERS	
Design family	iQ 500	iQ 300
Model number	WK14D543GB	WK14D322GB
PROGRAMMES / FUNCTIONS		
Standard Washing Programmes		
Eco 40-60	■	■
Cottons	■	■
Easy-care programme	■	■
Wool programme	■	■
Delicates/silk	■	■
Rinse/Spin	■	■
Drain/Spin	■	■
Additional Programmes		
Hygiene	■	-
rapid15	■	-
Night wash	■	-
Shirts/blouses	■	-
Outdoor	■	-
Mixed fabrics	■	-
Drying programmes		
Gentle dry	■	■
Intensive dry	■	■
Fluff removal programme	■	■
Options		
flexiTime	■	■
Easy iron	■	■
Intensive	■	■
Water Plus	■	■
Rinse hold	■	■
Prewash	■	■
Variable spin / Variable temperature	■ / ■	■ / -
ADDITIONAL FEATURES		
autoDry	■	-
AquaStop	■	-
Foam detection	■	■
autoLoad	■	■
Time delay	24h	24h
PERFORMANCE & CONSUMPTION		
Energy efficiency class washing and drying ¹	A++	A++
Energy efficiency class washing ²	A++	A++
Energy ³ / Water ⁴ washing and drying (kWh / litres)	266 / 68	266 / 68
Energy ³ / Water ⁴ washing (kWh / litres)	77 / 44	77 / 44
Load capacity washing and drying / washing (kg)	4 / 7	4 / 7
Programme duration ⁵ washing and drying / washing (h:mm)	5:30 / 2:50	5:30 / 2:50
Spin efficiency class	B	B
Spin speed ⁶ (rpm)	1400	1400
Noise level (dB [A] re 1pW)	72	72
Noise emission class	A	A
Drum volume (litres)	52	52
TECHNICAL INFORMATION		
Dimensions of the product: H x W x D (inc. hinge and 19mm door) (mm)	820 x 595 x 560 (584)	820 x 595 x 560 (584)
Door opening angle	95°	95°
Depth with door open 90° (mm)	960	960
Height adjustable by (mm)	15	15
Length of electrical supply cord (mm)	2200	2200
Length of supply hose / drain hose (mm)	200 / 200	200 / 200
Door hinge (door porthole)	Left-hand	Left-hand
Cabinet colour	White	White

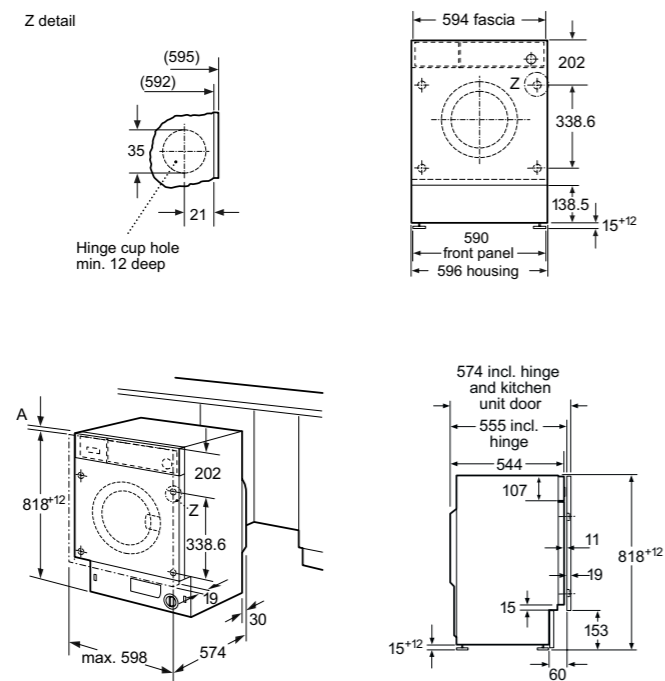
■ Yes, model has this feature. – Feature not available for this model.

¹⁻² On an energy-efficiency class scale from A to G. ³ Energy consumption in kWh/100 complete operating cycles (using Eco 40-60 programme). ⁴ Water consumption in litres/complete operating cycle (using Eco 40-60 programme). ⁵ Energy consumption in kWh/100 wash cycles (using Eco 40-60 programme). ⁶ Water consumption in litres/wash cycle (using Eco 40-60 programme). ⁷ Duration of Eco 40-60 programme, complete operating cycle / wash cycle. ⁸ The specified value is rounded.

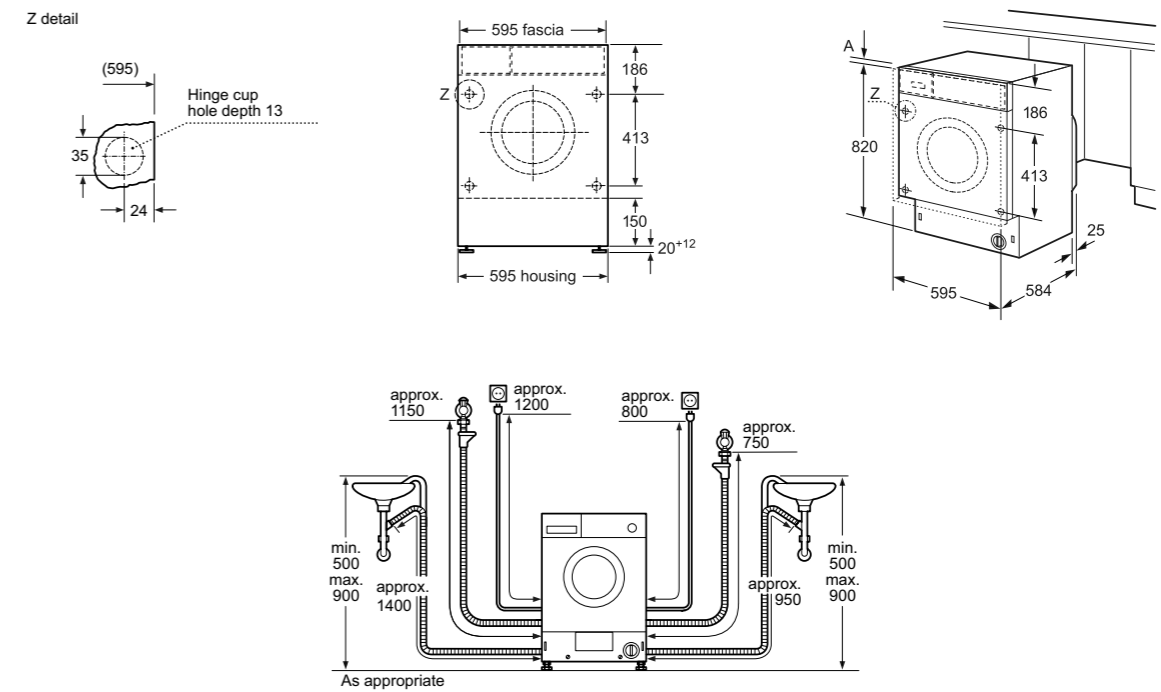
Data valid in this table as of April 2024. Subject to modification without prior notice.

Laundry appliance technical diagrams

Integrated washing machine W114W502GB



Integrated washer dryers WK14D543GB and WK14D322GB



Welcome to a freestanding range with a host of intelligent laundry solutions

Siemens' freestanding washing machines, washer dryers and tumble dryers deliver outstanding results every time.

Sleek, streamlined, and stylish, Siemens freestanding laundry appliances not only look great in the home, they perform perfectly too. With state-of-the-art technology Siemens freestanding washing machines are extremely energy efficient, easy to use, and most importantly designed to save time and resources.

All Siemens freestanding tumble dryers feature sensor drying, which provides uniform drying results, and makes over-drying a thing of the past, meaning laundry is easier and less of a chore.

Siemens freestanding washer dryers combine the innovative functions of the modern washing machines and dryers in one appliance to save effort, time and space. Conveniently control both washing and drying cycles, at the touch of a button, with the large display and clear operation on these intelligent appliances.



Freestanding
Laundry appliances

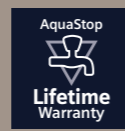
Siemens home laundry warranties:



5 year warranty

A five year warranty is available on all freestanding washing machine, washer dryer and tumble dryer models listed in this brochure to protect against manufacturing and material faults during this warranty period.

Offer dates: 01.04.24 – 31.03.25. Online registration required. For full T&Cs and qualifying appliances visit [siemens-home.bsh-group.com/uk/customer-service/siemens-warranties](https://www.siemens-home.bsh-group.com/uk/customer-service/siemens-warranties)



Lifetime AquaStop Warranty

Selected Siemens laundry appliances have a lifetime AquaStop warranty to protect against water damage caused by a defective AquaStop system. For models with this warranty please check the matrix.



iQdrive® 10 Year Warranty

The iQdrive® Motor Warranty is available on all washing machines to protect against any defects to the iQdrive® motor.

To find out more about warranty and for registration, please visit: [siemens-home.bsh-group.com/uk/customer-service/siemens-warranties](https://www.siemens-home.bsh-group.com/uk/customer-service/siemens-warranties)



Models shown: WG56B2A1GB washing machine and WQ46B2C9GB tumble dryer

Rethink laundry care with the Siemens Intelligent Utility Room

When space is no issue, a dedicated utility room can offer more convenience, efficiency, and organisation.

All the laundry essentials - detergents, fabric softeners, ironing board – can be found in one organised, easy-to-access place. A laundry room offers ample storage, helping to keep the home clutter-free and laundry essentials at one's fingertips.

Above all, a laundry room is a time-saver. With everything needed in one place to wash, dry, fold, and iron in record time.

Our advanced laundry technology further delivers control, convenience and flexibility to the process with appliances designed to not only clean clothes but also to automate as much of the process as possible to free time for more important tasks.



Siemens laundry appliances are designed to be intelligent and efficient, knowing exactly when to start a wash cycle to maximise energy efficiency, and when to adjust water levels based on the load size to preserve resources. They dispense the optimal dosage of detergent, ensuring excellent results. With the Home Connect app, stay informed and educated on the best programmes to save resources or time, and easily access the most frequently used programmes. A laundry room that truly adapts to individual needs.

Even with limited space for laundry appliances, these washing machines, tumble dryers and washer dryers still seamlessly fit into an everyday kitchen. Our appliances are equipped with great features, offering convenience and efficiency as the standard.

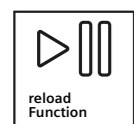
Laundry key features



Siemens laundry appliances are full of innovative features designed to effortlessly maintain the quality and appearance of clothes.

Time saving programmes, a targeted stainRemoval feature, reduced ironing cycles, and the smart connection between the washer and dryer, simplify every aspect of doing laundry.

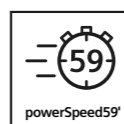
A new level of convenience.



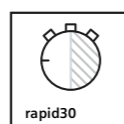
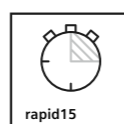
reload
The reload function allows the machine to be paused and the door opened, to add any extra item to the load at the next safe opportunity while a programme is running.



antiVibration
Having antiVibration technology built-in to the design of the machine makes the appliance more stable, which, in turn, makes it quieter.



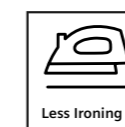
powerSpeed 59 system
With the powerSpeed system, the laundry gets evenly soaked and heated up much faster and more consistently, for more thorough washing. Suited for up to 5kg of cottons or blended fabrics, the powerSpeed 59 result is achieved by a second pump that feeds the water into the drum at the beginning of the washing process. In parallel, the detergent is mixed with water and gets sprayed into the centre of the load, shortening the run time to only 59 minutes and increasing the wash performance.



rapid15 and rapid30
Need a clean shirt an hour before leaving the house? The rapid15 and rapid30 washing programmes are the perfect solution. These innovative features wash, rinse and spin clothes in under an hour.



Drum interior light
The drum is lit after switching on the appliance, after opening and closing the door, and after starting the programme for extra convenience. The light switches off automatically.



Less Ironing option
At the touch of a button, 'Less Ironing' can be added to a selected programme. This ensures the machine gently and evenly drains the water and reduces the spin speed, helping to keep creases to a minimum.



Outdoor
Specialised programme for washing waterproof clothing with membrane technology to protect the fabric and seams. For use with outdoor fabric detergent.



Outdoor/waterproof
This programme can be used to apply a waterproof treatment to breathable fabrics, prolonging the life of high-quality functional clothing like winter jackets, fleeces and ski wear.



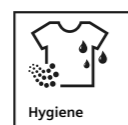
Efficient laundry care, intuitively

Siemens washing machines take the hassle out of doing laundry.

Our machines take full advantage of the latest technology and innovation, and are designed to make laundry less of a chore.



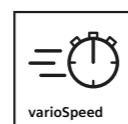
Automatic programmes
Whether normal or delicate items – the automatic programme's 'Auto' function adjusts the entire wash cycle to suit various laundry needs for optimum effect. Perfect for hard-wearing fabrics this mode will even add extra detergent if the washing is heavily soiled.



Hygienically clean laundry: The hygiene programme
The hygiene programme is particularly suitable for people with allergies.



Meets the highest hygiene standards: The Drum Clean programme
An automatic alert after 20 washes notifies when to run the Drum Clean programme on a 90°C or 60°C wash which keeps the appliance clean and odour free.



Get perfectly clean laundry in up to 65%* less time with varioSpeed
Available on all our washing machines, this feature can automatically detect when time can be saved. The smart sensors identify load volume and type of textile, hence adapting the washing machine's process time efficiently to suit the specific load.

*Difference between the duration of the Easy Care Programme 40°C and the duration of the Easy Care Programme 40°C in combination with the varioSpeed option.



Download and install Home Connect App
Partners brought to you by Home Connect
Home Connect | just ask alexa | works with Google Home | IFTTT

Take a load off with Home Connect.

Siemens' smart washing machines, with Home Connect, have exciting features that provide more flexibility and choice when doing laundry.

Optimal dosing of detergent

i-Dos accurately dispenses detergent based on fabric type, water hardness and degree of soiling. With the detergent scan on the Home Connect app, the intelligentDosing can even be further optimised. Simply scan the chosen detergent and fabric softener and Home Connect will set up the ideal dosage settings perfectly, only using the exact amount of detergent needed, every time.

Match the laundry programme to specific needs

Use the Home Connect app to guide programme selection. Home Connect gives a description of each programme, and an indication of its energy and water consumption, so the best decisions are made for certain laundry needs. Home Connect also enables the washing machine and the dryer to work together. The dryer automatically chooses the right programme and the most suitable drying target based on the load washed in the washing machine.

Connected partners

With our connected partners - Amazon Alexa, Google Home and IFTTT - any living space can be turned into a fully connected home. Speak to appliances simply by asking Amazon Alexa or Google Home voice assistant. With the IFTTT app, Home Connect appliances can be connected to a wider range of smart devices. Set up applets and digital commands to create bespoke solutions such as programming smart lights to flash when the laundry cycle ends.

For more information about Home Connect, visit Siemens Home UK: siemens-home.bsh-group.com/uk

Or scan the QR code to learn more about our smart laundry appliances.





Washing machine key features

Clear display for easy selection.

All our models feature easy to use, intuitive LED displays to provide a full overview and make operation effortless.



Display shown: **WG46G2Z9GB** iQ500 washing machine



Display shown: **WG56B2A1GB** iQ700 washing machine

Just add laundry with i-Dos.



The i-Dos system automatically determines how much detergent is needed for each wash load, based on the weight of the laundry and programme used. Once the laundry is placed in the drum the intelligent washing machine will automatically determine the optimum allocation of detergent.

The built-in drawer conveniently holds enough liquid detergent for around 20 washes which removes the need to measure and fill the container for every wash. As the correct amount of liquid detergent is used every time, clothes will receive the perfect wash whilst saving time, water and detergent. Resulting in hassle-free laundry and perfectly clean clothes. With Home Connect, the detergent scan feature will even further adjust the dosing based on the detergent used.

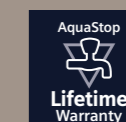


Tough on stains, gentle on clothes.



With the stainRemoval system, tough stains can be removed effortlessly without the need for specialist products or pre-washing. After loading clothes in the machine, up to 16 stain treatments* are available to select from.

Whether it is red wine or coffee, dirt or grass, blood or even cosmetics, our stainRemoval system automatically optimises the wash settings to remove individual stains from laundry. The system tailors the wash according to the nature of the stain, creating the perfect balance between the mechanical drum action, water level, wash time and temperature, thus, saving time, money on buying specialist products and removing the need for pre-washing. Unforeseen accidents need not ruin clothes anymore.



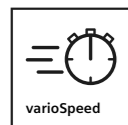
Fast and efficient washing machines with added peace of mind.

*Offer dates: 01.04.24 – 31.03.25. Online registration required. For full T&Cs and qualifying appliances visit [siemens-home.bsh-group.com/uk/customer-service/siemens-warranties](https://www.siemens-home.bsh-group.com/uk/customer-service/siemens-warranties)

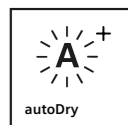
*16 stain treatments available on Home Connect models.

A breath of fresh air: Siemens Washer Dryers

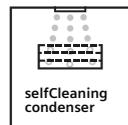
Enjoy the luxury of complete laundry care without needing a lot of space.



varioSpeed
Get perfectly clean laundry in up to 65%* less time. This feature can automatically detect when time can be saved. The smart sensor identifies load volume and textile kind, hence adapting the washing machine's process time efficiently to suit the specific load.



autoDry
autoDry technology prevents overheating or uneven drying. Sensors precisely measure and control the temperature and moisture of laundry, preventing it from shrinking.



selfCleaning condenser (Washer Dryers and Tumble Dryer)
An automatic selfCleaning condenser is integrated into many Siemens laundry appliances helping to keep the condenser lint free. This sensor-controlled programme is intuitive and collects lint during each drying cycle. The result is a continually lint-free condenser that helps to keep energy consumption constantly low at all times. The fluff just needs to be removed from the lint filter after every cycle.

*Difference between the duration of the Easy Care Programme 40°C and the duration of the Easy Care Programme 40°C in combination with the varioSpeed option.



Fast and efficient washer dryers with added peace of mind.

*Offer dates: 01.04.24 – 31.03.25. Online registration required. For full T&Cs and qualifying appliances visit [siemens-home.bsh-group.com/uk/customer-service/siemens-warranties](https://www.siemens-home.bsh-group.com/uk/customer-service/siemens-warranties)

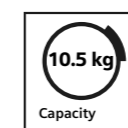


The i-Dos system automatically determines how much detergent is needed for each wash load, based on the weight of the laundry and programme used. Once the laundry is placed in the drum the intelligent washing machine will automatically determine the optimum allocation of detergent.

The built-in drawer conveniently holds enough liquid detergent for around 20 washes which removes the need to measure and fill the container for every wash. As the correct amount of liquid detergent is used every time, clothes will receive the perfect wash whilst saving time, water and detergent. Resulting in hassle-free laundry and perfectly clean clothes.



Wash&Dry60
With just one push of the button, the washer dryer perfectly washes and carefully dries up to 1kg of laundry in only 60 minutes. Perfect for when clothes need to be prepared quickly.



The 10.5kg washer dryer
The 10.5kg washer dryer model provides ultimate convenience. Ideal for families, achieve everything in one go with the ability to wash and dry a larger-than-average load.



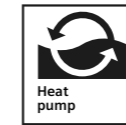
smartFinish
The smartFinish programme uses gentle steam to reduce wrinkles, cutting down ironing time. Even badly wrinkled shirts and blouses are significantly smoothed out.



Model shown: WN54G1A1GB



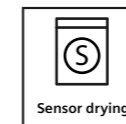
Intelligent drying: Siemens Tumble Dryers



High-performance and highly-efficient (Tumble Dryers only)

Be fascinated by the state-of-the-art technology of Siemens heat pump dryers. Heat pump dryers are condensation dryers equipped with a special heat pump technology. In contrast to classic condensation dryers, energy in the form of heat is not discharged into the environment; instead it is retained for the drying process.

Siemens heat pump dryers achieve impressive energy values and consume significantly less energy than condensation dryers. Our heat pump dryers can also be set up, like all condensation dryers, in multiple places within the home, since the condensed water is collected in a separate container integrated into the appliance. Alternatively, if preferred, the water can be drained out if plumbing allows.



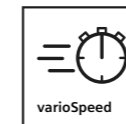
Sensor drying

All Siemens tumble dryers feature sensor drying, which provides uniform drying results, and makes over-drying a thing of the past. Sensors in the drum continually monitor the residual moisture in the laundry. They detect when the load has reached the selected drying level, and move the programme to the final cool-down period.



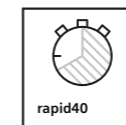
A lot less ironing

The Less Ironing option extends the anti-crease phase period at the end of the cycle by up to 120 minutes leading to fewer creases in laundry – so less time is spent ironing.



varioSpeed

This feature can automatically detect when time can be saved. The smart sensor identifies load volume and textile kind to adapt the tumble dryer's programme time efficiently to suit the specific load.



The rapid40 drying programme

With this programme, washing will be perfectly dry in only 40 minutes, thanks to optimised temperature control and a customised cool-down phase.



Wool or shoe drying basket

To further protect garments and materials during the drying process, Siemens iQ500 and iQ700 tumble dryers come with a drying basket. Warm air is then gently passed around the garments, rather than tumbling them.

With the latest technology built into our appliances, Siemens offers energy-efficient and stunning looking appliances for stylish kitchens and utility spaces.



Take the guess work out of drying

Home Connect enables the washer and dryer to work together. The dryer automatically chooses the right programme and the most suitable drying target based on the load washed in the washing machine. intelligentDry guarantees precise drying results with maximum protection. Let Home Connect do the thinking.



Stacking kit



Wool drying basket



Shoe drying basket

Stacking kits

Not only helping to stabilise the dryer on top of the washing machine, the shelf allows the easy loading and unloading of the dryer.

Product codes: WZ27410 (standard) / WZ27400 (with pull-out shelf).







State-of-the-art technology is at the heart of all Siemens tumble dryers.

*Offer dates: 01.04.24 – 31.03.25. Online registration required. For full T&Cs and qualifying appliances visit [siemens-home.bsh-group.com/uk/customer-service/siemens-warranties](https://www.siemens-home.bsh-group.com/uk/customer-service/siemens-warranties)

Laundry appliance product overview

Freestanding washing machine and tumble dryer range

Washing machine	Tumble dryer	Washing machine	Tumble dryer
			
iQ 700 WG56B2ATGB Silver inox <ul style="list-style-type: none"> 10kg capacity 1600 spin i-Dos intelligent dosing Detergent Scan smartFinish Mini Load powerSpeed 59 varioSpeed Reload function iQDrive® stainRemoval System 	iQ 700 WQ46B2CXGB Silver inox <ul style="list-style-type: none"> 9kg capacity Heat pump smartFinish intelligentDry selfCleaning condenser varioSpeed 	iQ 700 WG56B2A1GB White <ul style="list-style-type: none"> 10kg capacity 1600 spin i-Dos intelligent dosing Detergent Scan smartFinish Mini Load powerSpeed 59 varioSpeed Reload function iQDrive® stainRemoval System 	iQ 700 WQ46B2C9GB White <ul style="list-style-type: none"> 9kg capacity Heat pump smartFinish intelligentDry selfCleaning condenser varioSpeed

Home Connect

Washing machine	Washing machine	Tumble dryer	Tumble dryer
			
iQ 500 WG56G2Z0GB* (Available from July 2024) White <ul style="list-style-type: none"> 10kg capacity 1600 spin smartFinish varioSpeed Reload function iQDrive® stainRemoval System 	iQ 500 WQ46G2Z1GB* (Available from June 2024) White <ul style="list-style-type: none"> 9kg capacity 1600 spin smartFinish varioSpeed Reload function iQDrive® stainRemoval System 	iQ 500 WQ45G209GB White <ul style="list-style-type: none"> 9kg capacity Heat pump selfCleaning condenser 	iQ 300 WT45N203GB White <ul style="list-style-type: none"> 8kg capacity Condenser

*Please note this is not the final product image

Freestanding washer dryer range

Washer dryer	Washer dryer
	
iQ 700 WN54C2ATGB Silver <ul style="list-style-type: none"> 10.5kg/6kg capacity 1400 spin speed i-Dos intelligent dosing Detergent Scan iQDrive® varioSpeed Reload facility autoDry selfCleaning condenser smartFinish Outdoor/waterproofing 	iQ 500 WN54G1A1GB (Available from May 2024) White <ul style="list-style-type: none"> 10.5kg/6kg capacity 1400 spin speed i-Dos intelligent dosing Detergent Scan iQDrive® varioSpeed Reload facility autoDry selfCleaning condenser smartFinish

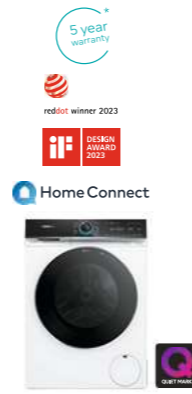
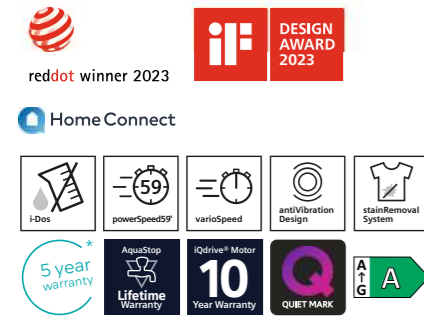


Models shown:
 WG56B2A1GB washing machine and
 WQ46B2C9GB tumble dryer

Washing machines

iQ700 WG56B2A1GB

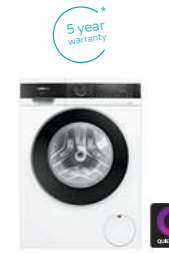
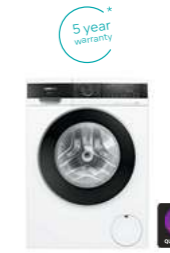
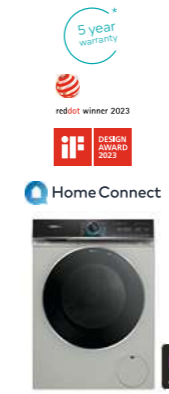
Freestanding washing machine
White 1600rpm spin speed



Freestanding washing machine specifications

APPLIANCE TYPE	FREESTANDING WASHING MACHINE
Design family	iQ700
Model number	WG56B2A1GB
Colour	White
KEY FEATURES	
smartFinish	■
Detergent Scan	■
Mini Load	■
Home Connect	■
i-Dos intelligent dosing system	■
powerSpeed 59 ¹	■
varioSpeed	■
Reload function	■
iQDrive®	■
antiVibration design	■
stainRemoval System	■
ADDITIONAL FEATURES	
Variable temperature / Variable spin	■ / ■
Drum interior light	■
Display	LED
Control panel lock	■
Delay start by (h)	24
Drum Clean programme	via APP
Water protection system	AquaStop
STANDARD PROGRAMMES	
Eco 40-60	■
Cottons	■
Easy Care / Mixed	■ / ■
Delicate/Silk / Wool	■ / ■
ADDITIONAL PROGRAMMES / FUNCTIONS	
Auto programme	■
Hygiene	via APP
Rapid 15' / Rapid 30'	■ / ■
Shirts	via APP
Outdoor / Outdoor (waterproofing)	- / ■
Dark Wash/Easy Care Plus	via APP
Lingerie / Towels	- / -
Curtains / Duvet	- / via APP
Rinse / Spin / Drain	■ / - / -
Spin/Drain	■
Prewash	■
Extra Rinse / Rinse hold	■ / ■
Water Plus / Soak	■ / ■
Reduced ironing / Reduced noise	■ / ■
Memory programmes	■
PERFORMANCE	
Energy efficiency class ¹	A
Load capacity (kg)	1-10
Energy ² / Water ³ (kWh / litres)	51 / 49
Programme duration ⁴ (h:mm)	3:55
Maximum spin speed (rpm) ⁵	1600
Spin efficiency class	A
Noise level (dB [A] re 1pW)	72
Noise emission class	A
Duration of Quick Wash programme (minutes)	15/30
TECHNICAL INFORMATION	
Dimensions: H x W x D (inc. door porthole) (mm)	848 x 598 x 590 (638)
Door opening angle	188°
Depth with door open 90° (mm)	1090
Height adjustable by (mm)	12
Length of supply / drain hose (mm)	1500 / 1500
Length of mains cable (mm)	1600
Door hinge	Left-hand
Drum type	waveDrum
Drum Volume (litres)	70
ACCESSORIES	
Floor securing component	WX975600

■ Yes, model has this feature. - Feature not available for this model.
¹ On an energy-efficiency class scale from A to G. ² Energy consumption in kWh/100 operating cycles (using Eco 40-60 programme). ³ Water consumption in litres/operating cycle (using Eco 40-60 programme). ⁴ Duration of Eco 40-60 programme. ⁵ The specified value is rounded.
Data valid in this table as of April 2024. Subject to modification without prior notice.
***5 year warranty - Offer dates: 01.04.24 - 31.03.25. T&C's apply. Online registration required.**

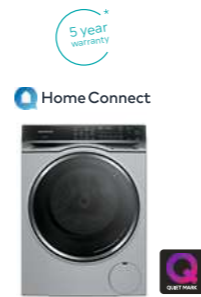


Freestanding washing machine specifications

APPLIANCE TYPE	FREESTANDING WASHING MACHINES		
	iQ700	iQ500	iQ500
Model number	WG56B2ATGB	WG56G2Z0GB	WG46G2Z1GB
Colour	Silver inox	White	White
KEY FEATURES			
smartFinish	■	■	■
Detergent Scan	■	-	-
Mini Load	■	-	-
Home Connect	■	-	-
i-Dos intelligent dosing system	■	-	-
powerSpeed 59 ¹	■	-	-
varioSpeed	■	■	■
Reload function	■	■	■
iQDrive®	■	■	■
antiVibration design	■	■	■
stainRemoval System	■	■	■
ADDITIONAL FEATURES			
Variable temperature / Variable spin	■ / ■	■ / ■	■ / ■
Drum interior light	■	■	■
Display	LED	LED	LED
Control panel lock	■	■	■
Delay start by (h)	24	24	24
Drum Clean programme	via APP	■	■
Water protection system	AquaStop	Multiple water protection	Multiple water protection
STANDARD PROGRAMMES			
Eco 40-60	■	■	■
Cottons	■	■	■
Easy Care / Mixed	■ / ■	■ / ■	■ / ■
Delicate/Silk / Wool	■ / ■	■ / ■	■ / ■
ADDITIONAL PROGRAMMES / FUNCTIONS			
Auto programme	■	-	-
Hygiene	via APP	■	■
Rapid 15' / Rapid 30'	■ / ■	■ / ■	■ / ■
Shirts	via APP	■	■
Outdoor / Outdoor (waterproofing)	via APP / ■	■ / -	■ / -
Dark Wash / Easy Care Plus	via APP	-	-
Lingerie / Towels	- / via APP	- / -	- / -
Curtains / Duvet	- / -	- / -	- / -
Rinse / Spin / Drain	■ / - / -	■ / - / -	■ / - / -
Spin/Drain	■	■	■
Prewash	■	■	■
Extra Rinse / Rinse hold	■ / ■	■ / ■	■ / ■
Water Plus / Soak	■ / ■	■ / -	■ / -
Reduced ironing / Reduced noise	■ / ■	■ / -	■ / -
Memory programmes	■	-	-
PERFORMANCE			
Energy efficiency class ¹	A	A	A
Load capacity (kg)	1-10	1-10	1-9
Energy ² / Water ³ (kWh / litres)	51 / 49	51 / 52	49 / 50
Programme duration ⁴ (h:mm)	3:55	3:55	3:40
Maximum spin speed (rpm) ⁵	1600	1600	1600
Spin efficiency class	A	A	A
Noise level (dB [A] re 1pW)	72	74	74
Noise emission class	A	B	B
Duration of Quick Wash programme (minutes)	15/30	15/30	15/30
TECHNICAL INFORMATION			
Dimensions: H x W x D (inc. door porthole) (mm)	848 x 598 x 590 (638)	845 x 598 x 590 (636)	845 x 598 x 590 (636)
Door opening angle	188°	165°	165°
Depth with door open 90° (mm)	1090	1073	1073
Height adjustable by (mm)	12	12	12
Length of supply / drain hose (mm)	1500 / 1500	1500 / 1500	1500 / 1500
Length of mains cable (mm)	1600	2100	2100
Door hinge	Left-hand	Left-hand	Left-hand
Drum type	waveDrum	waveDrum	waveDrum
Drum Volume (litres)	70	70	70
ACCESSORIES			
Floor securing component	WX975600	WX975600	WX975600

■ Yes, model has this feature. - Feature not available for this model.
¹ On an energy-efficiency class scale from A to G. ² Energy consumption in kWh/100 operating cycles (using Eco 40-60 programme).
³ Water consumption in litres/operating cycle (using Eco 40-60 programme). ⁴ Duration of Eco 40-60 programme. ⁵ The specified value is rounded.
Data valid in this table as of April 2024. Subject to modification without prior notice.
***5 year warranty - Offer dates: 01.04.24 - 31.03.25. T&C's apply. Online registration required.**

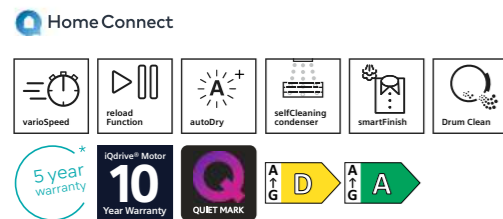
Washer dryers



Available from May 2024

iQ700 WN54C2ATGB

Freestanding washer dryer
Silver 1400rpm spin speed



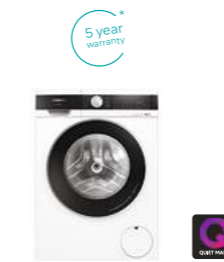
Freestanding washer dryer specifications

APPLIANCE TYPE	FREESTANDING WASHER DRYER
Design family	iQ700
Model number	WN54C2ATGB
Colour	Silver
KEY FEATURES	
i-Dos intelligent dosing system	■
Home Connect	■
iQDrive®	■
varioSpeed	■
Reload facility	■
autoDry function	■
selfCleaning Condenser	■
ADDITIONAL FEATURES	
Time delay/Time remaining	■
Control panel lock	■
Water protection system	AquaStop
PROGRAMMES	
smartFinish	■
Hygiene	■
rapid15'	■
Wash & Dry 60 mins	Wash & Dry 45'
Cottons	■
Easy-care programme	■
Wool programme	■
Delicates/Silk	■
Intensive Dry	-
Gentle Dry	-
myTime Wash & Dry	-
myTime Dry	■
Rinse	■
Spin/Drain	■
Memory	■
Drum Clean	■
Outdoor (Waterproofing)	■
Shirts	■
Mixed Fabrics	■
Reduced noise wash/dry	-
Reduced Ironing	■
Extra Rinse	-
Water level increase option	-
Pre wash	■
Variable Temperature/Spin	■
PERFORMANCE/TECHNICAL INFORMATION	
Energy efficiency class washing and drying ¹	A++ D
Energy efficiency class washing ²	A++ A
Energy ³ / Water ⁴ washing and drying (kWh / litres)	305 / 75
Energy ³ / Water ⁴ washing (kWh / litres)	52 / 50
Load capacity washing and drying / washing (kg)	1-6 / 1-10.5
Programme duration ⁷ washing and drying / washing (h:mm)	8:20 / 4:00
Spin efficiency class	B
Spin speed ⁸ (rpm)	1400
Noise level (dB [A] re 1pW)	70
Noise emission class	A
Dimensions: H x W x D (inc. door porthole) (mm)	848 x 598 x 622 (645)
Door opening angle	125°
Depth with door open 90° (mm)	1142
Height adjustable by (mm)	12
Length of supply / drain hose (mm)	1500 / 1500
Length of mains cable (mm)	2100
Door hinge	Left-hand
Drum type	waveDrum
Drum volume (litres)	65

■ Yes, model has this feature. - Feature not available for this model.

^{1,2} On an energy-efficiency class scale from A to G.
³ Energy consumption in kWh/100 complete operating cycles (using Eco 40-60 programme).
⁴ Water consumption in litres/complete operating cycle (using Eco 40-60 programme).
⁵ Energy consumption in kWh/100 wash cycles (using Eco 40-60 programme).
⁶ Water consumption in litres/wash cycle (using Eco 40-60 programme).
⁷ Duration of Eco 40-60 programme, complete operating cycle / wash cycle.
⁸ The specified value is rounded.

Data valid in this table as of April 2024. Subject to modification without prior notice.
 *5 year warranty - Offer dates: 01.04.24 – 31.03.25. T&C's apply. Online registration required.



Freestanding washer dryer specifications

APPLIANCE TYPE	FREESTANDING WASHER DRYER
Design family	iQ500
Model number	WN54G1A1GB
Colour	White
KEY FEATURES	
i-Dos intelligent dosing system	■
Home Connect	-
iQDrive®	■
varioSpeed	■
Reload facility	■
autoDry function	■
selfCleaning Condenser	■
ADDITIONAL FEATURES	
Time delay/Time remaining	■
Control panel lock	■
Water protection system	Multiple water protection
PROGRAMMES	
smartFinish	■
Hygiene	-
rapid15'	■
Wash & Dry 60 mins	■
Cottons	■
Easy-care programme	■
Wool programme	■
Delicates/Silk	■
Intensive Dry	■
Gentle Dry	■
myTime Wash & Dry	-
myTime Dry	-
Rinse	■
Spin/Drain	■
Memory	-
Drum Clean	-
Outdoor (Waterproofing)	■
Shirts	-
Mixed Fabrics	■
Reduced noise wash/dry	-
Reduced Ironing	■
Extra Rinse	-
Water level increase option	-
Pre wash	■
Variable Temperature/Spin	■
PERFORMANCE/TECHNICAL INFORMATION	
Energy efficiency class washing and drying ¹	A++ D
Energy efficiency class washing ²	A++ A
Energy ³ / Water ⁴ washing and drying (kWh / litres)	306 / 82
Energy ³ / Water ⁴ washing (kWh / litres)	51 / 52
Load capacity washing and drying / washing (kg)	1-6 / 1-10.5
Programme duration ⁷ washing and drying / washing (h:mm)	8:40 / 3:59
Spin efficiency class	B
Spin speed ⁸ (rpm)	1400
Noise level (dB [A] re 1pW)	70
Noise emission class	A
Dimensions: H x W x D (inc. door porthole) (mm)	848 x 598 x 590 (635)
Door opening angle	165°
Depth with door open 90° (mm)	1072
Height adjustable by (mm)	12
Length of supply / drain hose (mm)	1500 / 1500
Length of mains cable (mm)	2100
Door hinge	Left-hand
Drum type	waveDrum
Drum volume (litres)	65

■ Yes, model has this feature. - Feature not available for this model.

^{1,2} On an energy-efficiency class scale from A to G.
³ Energy consumption in kWh/100 complete operating cycles (using Eco 40-60 programme).
⁴ Water consumption in litres/complete operating cycle (using Eco 40-60 programme).
⁵ Energy consumption in kWh/100 wash cycles (using Eco 40-60 programme).
⁶ Water consumption in litres/wash cycle (using Eco 40-60 programme).
⁷ Duration of Eco 40-60 programme, complete operating cycle / wash cycle.
⁸ The specified value is rounded.

Data valid in this table as of April 2024. Subject to modification without prior notice.
 *5 year warranty - Offer dates: 01.04.24 – 31.03.25. T&C's apply. Online registration required.

Tumble dryers

iQ 700 WQ46B2CXGB

Freestanding tumble dryer
Silver inox

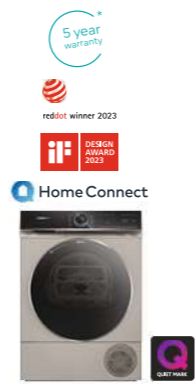


Freestanding tumble dryer specifications

APPLIANCE TYPE	FREESTANDING TUMBLE DRYER
Design family	iQ 700
Model number	WQ46B2CXGB
Colour	Silver inox
KEY FEATURES	
Home Connect	■
Heat pump	■
smartFinish	■
intelligentDry	■
easyClean filter	■
selfCleaning condenser	■
antiVibration design	■
ADDITIONAL FEATURES	
Sensor drying	■
Display	LED
Anti-crease cycle (mins)	120
Time delay / Time Remaining	■
Drum interior light	■
Water container full / Blocked filter warning indicator	■ / ■
Control panel lock	■
PROGRAMMES / FUNCTIONS	
Cotton	■
Easy Care	■
Mixed Fabrics	■
Allergy Plus / Hygiene	■
Lingerie	Via APP
Wool Finish	-
Wool in drying basket (model includes drying basket)	■
Towels	■
Rapid 40 min	■
Jeans	-
Shirts	■
Bed Linen	■
Down Wear	-
Duvet	-
Pillows	-
Outdoor	■
Time programme cold	Via APP
Time programme warm	■
Reduced ironing	■
Memory programme	■
PERFORMANCE	
Energy efficiency class	A+++
Capacity cotton (kg)	9
Condensation efficiency class	B
Condensation efficiency for standard cotton programme – Full and partial load	91%
Noise level (dB [A] re 1pW)	59
TECHNICAL INFORMATION	
Dimensions: H x W x D (inc. door porthole) (mm)	842 x 598 x 613 (651)
Door opening angle	180°
Depth with door open 90° (mm)	1105
Height adjustable by (mm)	15
Length of mains cable (mm)	1450
Door hinge	Right-hand reversible
Can be used with drain set	■
Drain set included	■
Cycle time Cotton, Full Load (Label) (min / cycle)	198
Drum volume (litres)	112
Compatible Stacking Kit (Standard / Pull out shelf)	WZ2751X / WZ2750X
OPTIONAL ACCESSORIES FOR TUMBLE DRYERS	
Cover plate	WZ20290
Stacking kit	WZ2751X
Stacking kit with pullout shelf	WZ2750X

■ Yes, model has this feature. – Feature not available for this model.

The programme cotton cupboard dry used at full and partial loads is the standard drying programme to which the information on the energy label refers. This is the most efficient programme in terms of energy consumption for cotton. Annual consumption is based on 160 drying cycles.
Data valid in this table as of April 2024. Subject to modification without prior notice.
*5 year warranty - Offer dates: 01.04.24 – 31.03.25. T&Cs apply. Online registration required.



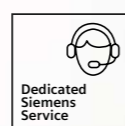
Freestanding tumble dryer specifications

APPLIANCE TYPE	FREESTANDING TUMBLE DRYERS		
Design family	iQ 700	iQ 500	iQ 300
Model number	WQ46B2C9GB	WQ45G209GB	WT45N203GB
Colour	White	White	White
KEY FEATURES			
Home Connect	■	-	-
Heat pump	■	■	-
smartFinish	■	-	-
intelligentDry	■	-	-
easyClean filter	-	-	■
selfCleaning condenser	■	■	-
antiVibration design	■	■	■
ADDITIONAL FEATURES			
Sensor drying	■	■	■
Display	LED	LED	LED
Anti-crease cycle (mins)	120	60	120
Time delay / Time Remaining	■	■	■
Drum interior light	■	■	■
Water container full / Blocked filter warning indicator	■ / ■	■ / ■	■ / ■
Control panel lock	■	■	■
PROGRAMMES / FUNCTIONS			
Cotton	■	■	■
Easy Care	■	■	■
Mixed Fabrics	■	■	■
Allergy Plus / Hygiene	■	■	■
Lingerie	Via APP	■	■
Wool Finish	-	■	■
Wool in drying basket (model includes drying basket)	■	-	-
Towels	■	-	-
Rapid 40 min	■	■	■
Jeans	-	-	-
Shirts	■	■	■
Bed Linen	■	-	-
Down Wear	-	-	-
Duvet	-	■	-
Pillows	-	■	-
Outdoor	■	■	■
Time programme cold	Via APP	-	■
Time programme warm	■	■	■
Reduced ironing	■	■	■
Memory programme	■	-	-
PERFORMANCE			
Energy efficiency class	A+++	A++	A+
Capacity cotton (kg)	9	9	8
Condensation efficiency class	B	B	B
Condensation efficiency for standard cotton programme – Full and partial load	91%	86%	88%
Noise level (dB [A] re 1pW)	59	64	63
TECHNICAL INFORMATION			
Dimensions: H x W x D (inc. door porthole) (mm)	842 x 598 x 613 (651)	842 x 598 x 613 (648)	842 x 598 x 613 (651)
Door opening angle	180°	170°	175°
Depth with door open 90° (mm)	1105	1096	1105
Height adjustable by (mm)	15	15	15
Length of mains cable (mm)	1450	1450	1450
Door hinge	Right-hand reversible	Right-hand	Right-hand
Can be used with drain set	■	■	■
Drain set included	■	■	■
Cycle time Cotton, Full Load (Label) (min / cycle)	198	173	137
Drum volume (litres)	112	112	112
Compatible Stacking Kit (Standard / Pull out shelf)	WZ27510 / WZ27500	WZ27410 / WZ27400	WZ11410 / WZ20400
OPTIONAL ACCESSORIES FOR TUMBLE DRYERS			
Cover plate	WZ20290	WZ20290	WZ20290
Stacking kit	WZ27510	WZ27410	WZ11410
Stacking kit with pullout shelf	WZ27500	WZ27400	WZ20400

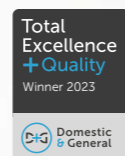
■ Yes, model has this feature. – Feature not available for this model.

The programme cotton cupboard dry used at full and partial loads is the standard drying programme to which the information on the energy label refers. This is the most efficient programme in terms of energy consumption for cotton. Annual consumption is based on 160 drying cycles.
Data valid in this table as of April 2024. Subject to modification without prior notice.
*5 year warranty - Offer dates: 01.04.24 – 31.03.25. T&Cs apply. Online registration required.

Intelligent Care, Our award-winning customer service team



Dedicated Siemens Service
With our dedicated team of trained and qualified engineers available across the United Kingdom*, each having undergone over 400 hours of training, you can be confident that your Siemens appliances are in the safest of hands.



Customer service.

Trust Siemens Customer Service to help with the following:

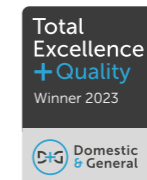
- Offer product advice on using our appliance or help with choosing a new Siemens appliance.
- Register a Siemens appliance and extend the warranty.
- Arrange a repair for a Siemens appliance by one of our Siemens engineers.*
- Locate and buy replacement spare parts and accessories.

Call us on: **UK: 0344 892 8999** **IE: 01450 2655**
For opening hours, please visit our website.

Calls are charged at the basic rate, please check with the relevant telephone service provider for exact charges.

* In some areas of the UK and Ireland we use selected and approved service partners to carry out repairs on our behalf where the repair price and process may vary.

Repair service.



If a Siemens appliance needs a repair, we are here to help. Our team of locally based engineers are employed and trained by Siemens, which gives them unrivalled knowledge and expertise to repair our appliances.*

It is easy to book, and manage an engineer visit online or via our call centre (see left for contact details).

Book or manage a repair online at:
UK: www.siemens-home.bsh-group.com/uk/customer-service/repair
IE: www.siemens-home.bsh-group.com/ie/customer-service/repair



Online help.

Prefer to receive help online?

Siemens also offers a high quality comprehensive range of online services. Our online support offers help getting familiar with our appliances, find user manuals, browse FAQ's, get useful tips and have full control over an engineer booking.

Visit our online customer service portal at:

UK: www.siemens-home.bsh-group.com/uk/customer-service/
IE: www.siemens-home.bsh-group.com/ie/customer-service/



Online shop.

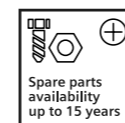
Accessories and cleaning products.

Well maintained appliances last longer, this is why we offer everything needed to look after any of our appliances on the Siemens online store. Our tested and approved cleaning and care products can be found there, along with other accessories ranging from a water filter for fridges, to a Teppanyaki grill plate for hobs.

Shop online at:

UK: www.siemens-home.bsh-group.com/uk/shop
IE: www.siemens-home.bsh-group.com/ie/shop

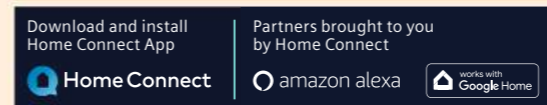
Spare parts.



Siemens keeps a comprehensive range of replacement spare parts for up to 15 years. You can browse our exploded view diagrams on our store or speak to an advisor on the phone to help you locate and buy the spare parts you need.

Shop spare parts online at:

UK: www.siemens-home.bsh-group.com/uk/shop/search-parts
IE: www.siemens-home.bsh-group.com/ie/shop/search-parts



Apple App Store



Google Play Store

More support with the Home Connect app.

Pairing a Siemens home appliance with the Home Connect app unlocks additional services including service support. The Home Connect app can provide useful push notifications when an appliance needs attention, such as when the filters need replacing or a clean care cycle is needed. Useful reminders will also let the user know when detergent, rinse aid and salt are running low. User manuals, self-help tips, appliance information and customer service contact details are also available directly from the app when needed.

Download the Home Connect app for more info.

Warranties and Registration



Register my appliance

Siemens recommends that all home appliances are registered to ensure we can easily contact customers in the event of an important product update. For more information about registering appliances of all brands, please visit: www.registermyappliance.org.uk



Siemens offers a 5 year warranty as standard on all our studioLine products across the range, for exceptional peace of mind. This warranty covers manufacturing and material faults.



5 year warranty

From time to time, Siemens may present additional warranties on either products or defined components of a product which are time limited offers.



Offer dates: 01.04.24 – 31.03.25. Online registration required. To check if a product qualifies, please contact us, scan the QR code or go online at <https://www.siemens-home.bsh-group.com/uk/customer-service/siemens-warranties>

To register call:
UK: 0344 892 8999
IE: 01450 2655

Or register online:
UK: www.siemens-home.bsh-group.com/uk
IE: www.siemens-home.bsh-group.com/ie



2 year warranty

All Siemens home appliances have a Siemens two year manufacturer's warranty as standard to protect against manufacturing or material faults and defects during this warranty period.

To register call:
UK: 0800 519 2116
IE: 01230 0344

Or register online:
UK: www.siemens-home.bsh-group.com/uk
ROI: www.siemens-home.bsh-group.com/ie



10 Year Compressor Drive Warranty

Available on selected Siemens fridges and freezers, this warranty covers defects in the compressor motor.



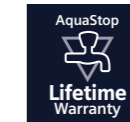
10 Year Anti-Rust Warranty for Dishwashers

Protects against rust in the inner cavity of the appliance during this warranty period. Applies to all Siemens dishwasher appliances only.



10 Year iQdrive® Motor Warranty

Protects against manufacturing or material faults and defects to the iQdrive motor only during this warranty period. Applies to selected Siemens laundry appliances only.



Lifetime AquaStop Warranty

A lifetime warranty to protect against water damage caused by a defective AquaStop system. Applies to selected Siemens laundry and dishwasher appliances only.

Models shown on front left to right:

HM778GMB1B single oven, **CT718L1B0** coffee machine, **BI710C1B1B** warming drawer,
CM778GNB1B compact oven, **BI710C1B1B** warming drawer.

Siemens, a division of BSH Home Appliances Ltd,
Grand Union House,
Old Wolverton Road, Wolverton,
Milton Keynes, MK12 5PT
Tel: 0344 892 9040

siemens-home.bsh-group.com/uk

Showroom
Siemens London,
Home of studioLine,
14 Wigmore Street,
London, W1U 2RE
Tel: 0330 134 3100
Email: SiemensLondon@Siemens-Home.BSH-Group.com

BSH Home Appliances Ltd,
M50 Business Park,
Ballymount,
Dublin 12
Tel: 1890 626041

siemens-home.bsh-group.com/ie

Disclaimer

This brochure is current as from the publication date and supersedes all previous brochures for these products. Whilst BSH Home Appliances Ltd believes that all information contained within this brochure is correct at the time of going to print, no representation or warranty, express or implied, is or will be made and no responsibility or liability is or will be accepted by BSH Home Appliances Ltd in relation to the accuracy or completeness of this information and any liability is expressly disclaimed. To the extent permitted by law, BSH Home Appliances Ltd expressly excludes: i) all conditions, warranties and other terms which might otherwise be implied by statute, common law or the law of equity and ii) any liability for any direct, indirect or consequential loss or damage (including, without limitation, damages for loss of business or loss of profits) arising in contract, tort or otherwise from the use of or reliance on any information contained within this brochure or from any action or decision taken as a result of such use or reliance. BSH Home Appliances Ltd reserves the right to modify technical data and all other information contained within this brochure without notice. All rights reserved.

No part of this publication may be reproduced in any form or without the prior written permission of BSH Home Appliances Ltd.

This brochure should not be regarded as an infallible guide nor as an offer of sale for a particular product.

Due to variables in the reproduction process, colours of actual products may vary slightly from those depicted. We recommend a visit to a Siemens dealer to confirm that specifications and colours are to your satisfaction.

Valid from April 2024
SIEMSLBIFS2024

SIEMENS

Siemens Home Appliances